

# **MODEL PWT**

## End Suction Pump

**Summary** ..... 2

**Application** ..... 2

**Working conditions** ..... 2

**Model nomenclature** ..... 3

**Features** ..... 3

**Motor selection** ..... 4

**Ambient temperature** ..... 5

**Spare parts** ..... 6

**Structure** ..... 7

**Material** ..... 8

**Mechanical seal** ..... 8

**Order notice** ..... 8

**Scope of supply** ..... 8

**Performance curve illustration** ..... 9

**Hydraulic range** ..... 10

**Performance curves** ..... 11

**Dimension drawing** ..... 47

## MODEL PWT End Suction Pump

### Summary

Pentair PWT series end suction pumps are designed by Pentair company for high performance, reliability and ease of maintenance. It has been tested according to ISO 9906 ANNEX A.

### Application

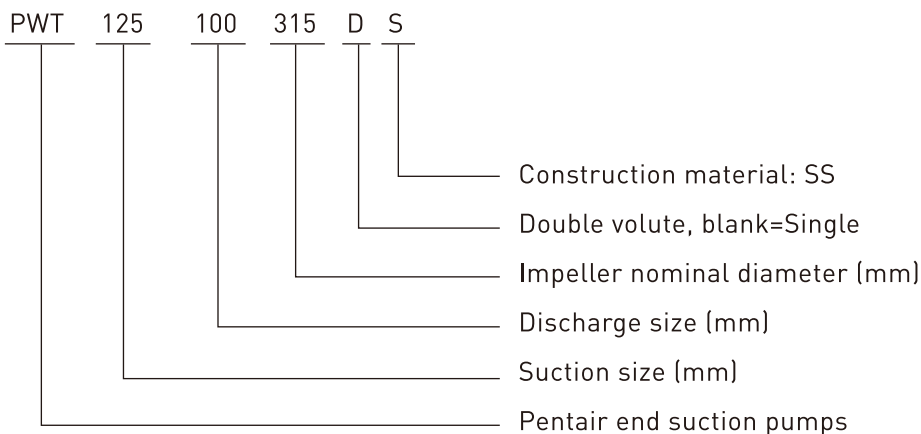
Pentair PWT series end suction pumps can be used to transfer low-density, clean, solid particle free and non-explosive liquid. Wide application range lists as below:

- Water treatment
- Desalination (RO system)
- Water supply
- Industrial cooling
- Industrial process

### Working conditions

Capacity	5~1800m <sup>3</sup> /h
Head	2~250m
Speed	2900rpm、1450rpm
Pressure	1.6Mpa, 2.5Mpa
Max. inlet pressure	4bar, others on request
Temperature	-20°C~+80°C
Size	InletØ50-Ø350mm, OutletØ32-Ø200mm

### Model nomenclature



## Features

PWT series pumps are designed according to ISO 5199.

## Pump

- Non self-priming, single, end suction pump with horizontal suction and vertical discharge
- Higher efficiency and more reliability through CFD method
- straightforward design were developed with maximum interchangeability, 6 size frames for the whole series pumps
- Rigidity shaft design assure pump reliability and life
- Back pull- out design allows removal of the pump rotating elements without any suction and discharge pipework
- Double volute design for some models ( Higher head), reduced radial force, better life for both mechanical seal and bearing
- Low vibration and noise
- Optional different standard flange sizes

## Coupling

- Realignment needed after shipping and any movement
- Spacer coupling ease maintenance without removal motor, suction and discharge pipework

## Bearing

- SKF totally enclosed, permanent grease lubricated bearings as standard
- Spacer coupling ease maintenance without removal motor, suction and discharge pipework

## Shaft seal

- Mechanical seal is standard, SiC/Carbon, according to DIN24960
- Optional packing seal
- Others on request, according to different operation conditions

## Motor

- Standard IEC motors, TEFC, size according to IEC and DIN

Mounting type	IMB3
Protection class	IP55
Insulation class	F ( $\Delta t = 80K$ )
Ambient temperature	Max. 40°C
Voltage	$\leq 3Kw(100L)$ , 220-240/380-415V 50Hz//440-460V 60Hz $\geq 4Kw(112M)$ , 380-415/660V 50Hz//440-460V 60Hz Others on request
Liquid temperature	-20°C~+80°C
Thermal protection	PTC thermistor is standard
Other protection	on request

- Motor starter is needed according to local regulations.



## Motor selection

Shaft power under working point can be checked according to pump curves or calculated by following formula.

$$N = \frac{\rho g Q H}{3600 \eta}$$

Q - Flow (m<sup>3</sup>/h)  
 H - Head (m)  
 ρ - Density (kg/dm<sup>3</sup>)  
 g - Gravity  
 η - Efficiency

Power safety margin should be subject to ISO 5199 standard.

Motor nominal output power should be larger then pump shaft power.

Power margin according to ISO 5199

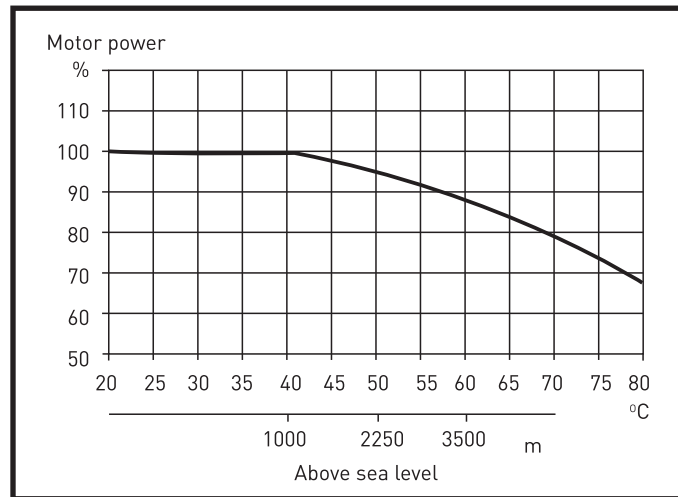
Shaft power required up to (kw)	Motor power P2 (kw)	Shaft power required up to (kw)	Motor power P2 (kw)
322	355	15.9	18.5
286	315	12.8	15
227	250	9.1	11
181	200	6.1	7.5
145	160	4.3	5.5
120	132	3.2	4
100	110	2.3	3
81	90	1.7	2.2
68	75	1.1	1.5
49	55	0.81	1.1
40	45	0.55	0.75
32.5	37	0.40	0.55
26	30	0.27	0.37
19	22	0.18	0.25

- Ambient temperature and site altitude needs to be considered.

## Ambient temperature

Maximum temperature: + 40 °C

Ambient temperature exceeds +40 °C or altitude is higher than 1000m over sea will cause bad motor cooling, large size motor is needed for power output.

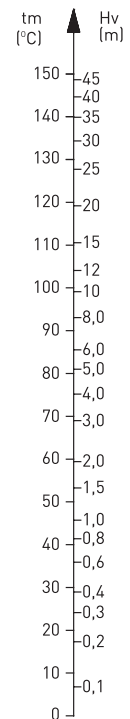


## Minimum suction pressure

For preventing pump from cavitation, at least 0.5m safety margin is needed.

We recommended to calculate suction pressure under following conditions.

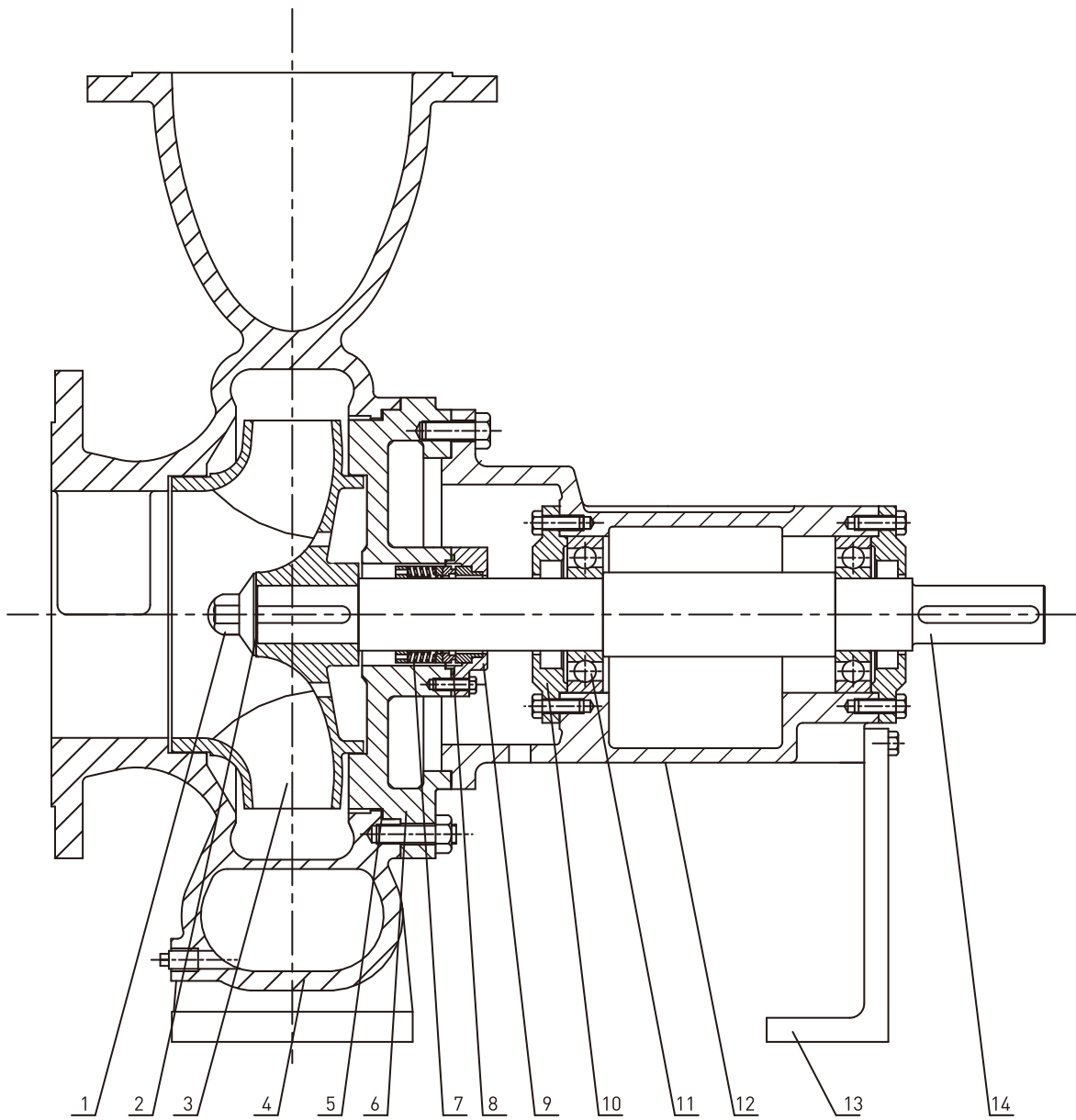
- Higher temperature liquid
- Flow transferred is apparently larger the nominal point
- Lift suction
- Longer suction piping line
- Low pressure in suction piping line



### Spare parts

- 1、 Mechanical seal
  - 2、 Packing gland
  - 3、 Bearings
  - 4、 Sealing (casing, cover)
  - 5、 Impeller
  - 6、 Impeller nut
  - 7、 Gasket (impeller nut )
  - 8、 Key
  - 9 、 Seal chamber cover
  - 10 、 O-ring( seal chamber cover)
  - 11、 Shaft
  - 12、 Bearing cover
  - 13、 Coupling elastic pin
  - 14 、 Coupling
  - 15、 Service kit
- Include items from 1 to 4, 1 or 2 will be subject pump used.
- Material is according to pump used.
- Kit here can be used for two years' spare parts.

Structure



- |                            |                                |                   |
|----------------------------|--------------------------------|-------------------|
| 1. Impeller nut            | 6. Casing cover                | 11. Bearing       |
| 2. Gasket (Impeller nut)   | 7. Mechanical seal             | 12. Bearing frame |
| 3. Impeller                | 8. O-ring( seal chamber cover) | 13. Support       |
| 4. Casing                  | 9. Seal chamber cover          | 14. Shaft         |
| 5. Sealing (casing, cover) | 10. Bearing cover              |                   |

## Material

Parts	Standard	Optional
Casing, cover	SS304	SS316, SS316L, Duplex
Impeller	SS304	SS316, SS316L, Duplex
Shaft	SS420	SS316L, Duplex
Frame	CI	

## Mechanical seal

Name	Standard	Optional
Type	Single, non balanced	Single balanced, double balanced, double non balanced
Rotating / Stationary ring	SiC/Carbon	WC/Carbon, SiC/SiC, WC/WC and etc.
Structure	SS304	SS316, SS316L and etc.
Spring	SS304	SS316, SS316L and etc.
Auxiliary seal	VITON	NBR, EPDM and etc.

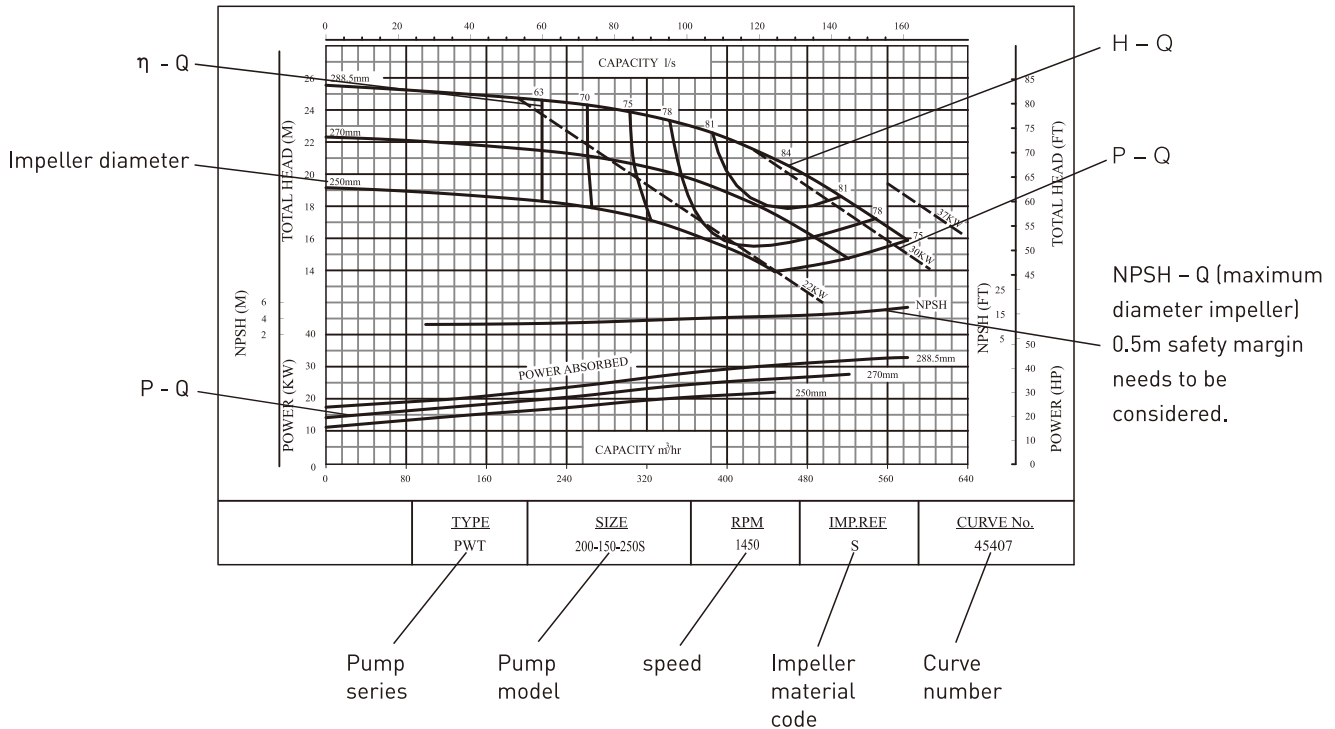
## Order notice

- Working points
- Liquid characteristics
- Suction pressure

## Scope of supply

- Pump, motor and common baseplate
- Coupling and guard
- Installation, operation and maintenance manual
- Anchor bolt ( according to contract)
- Shock absorption bench (according to contract)

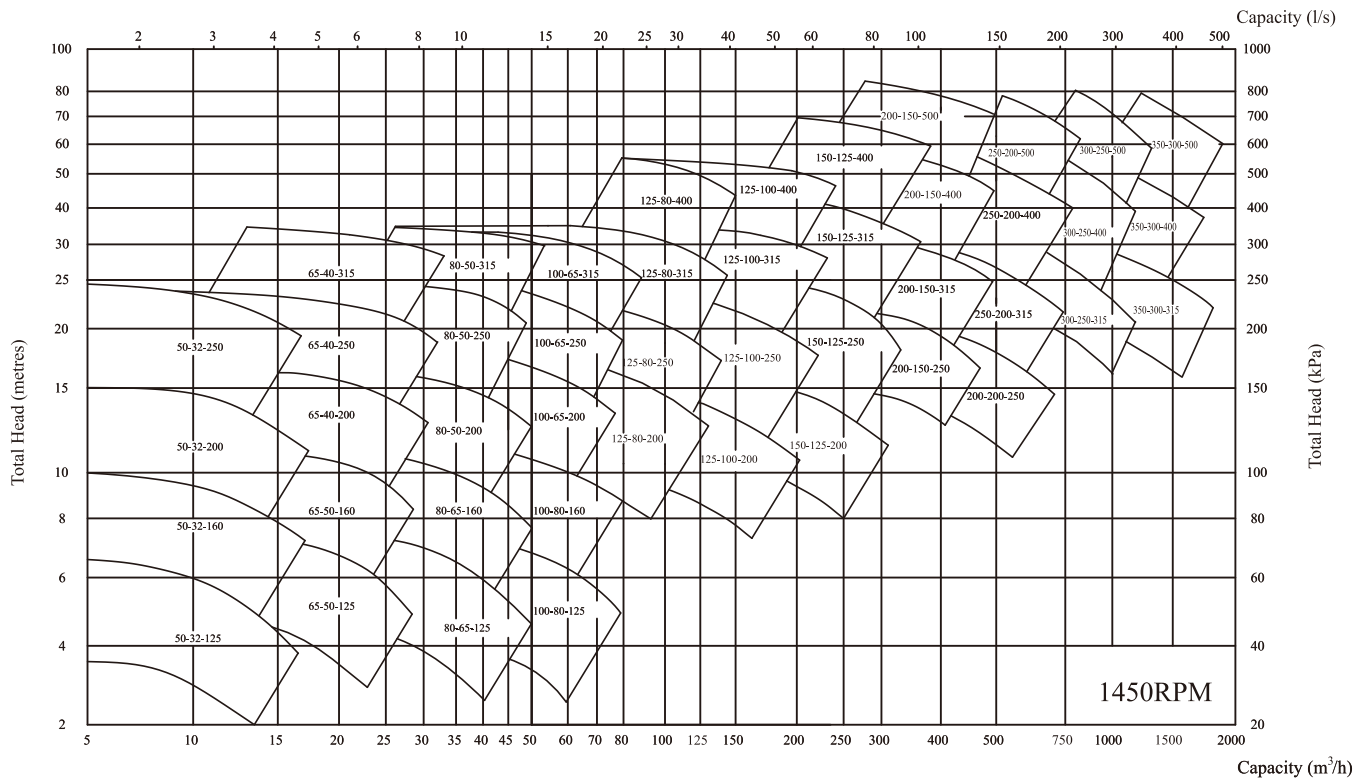
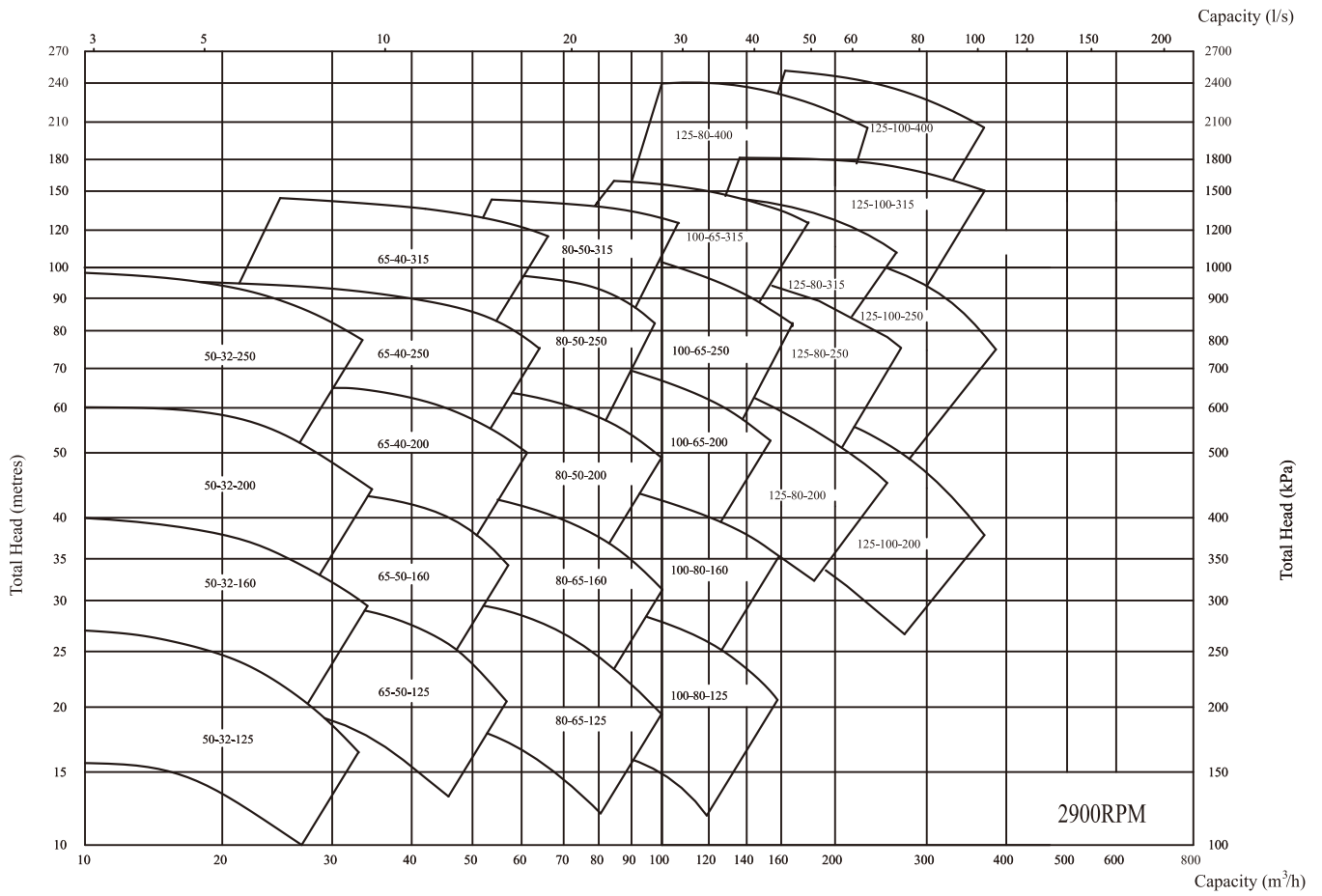
Performance curve illustration



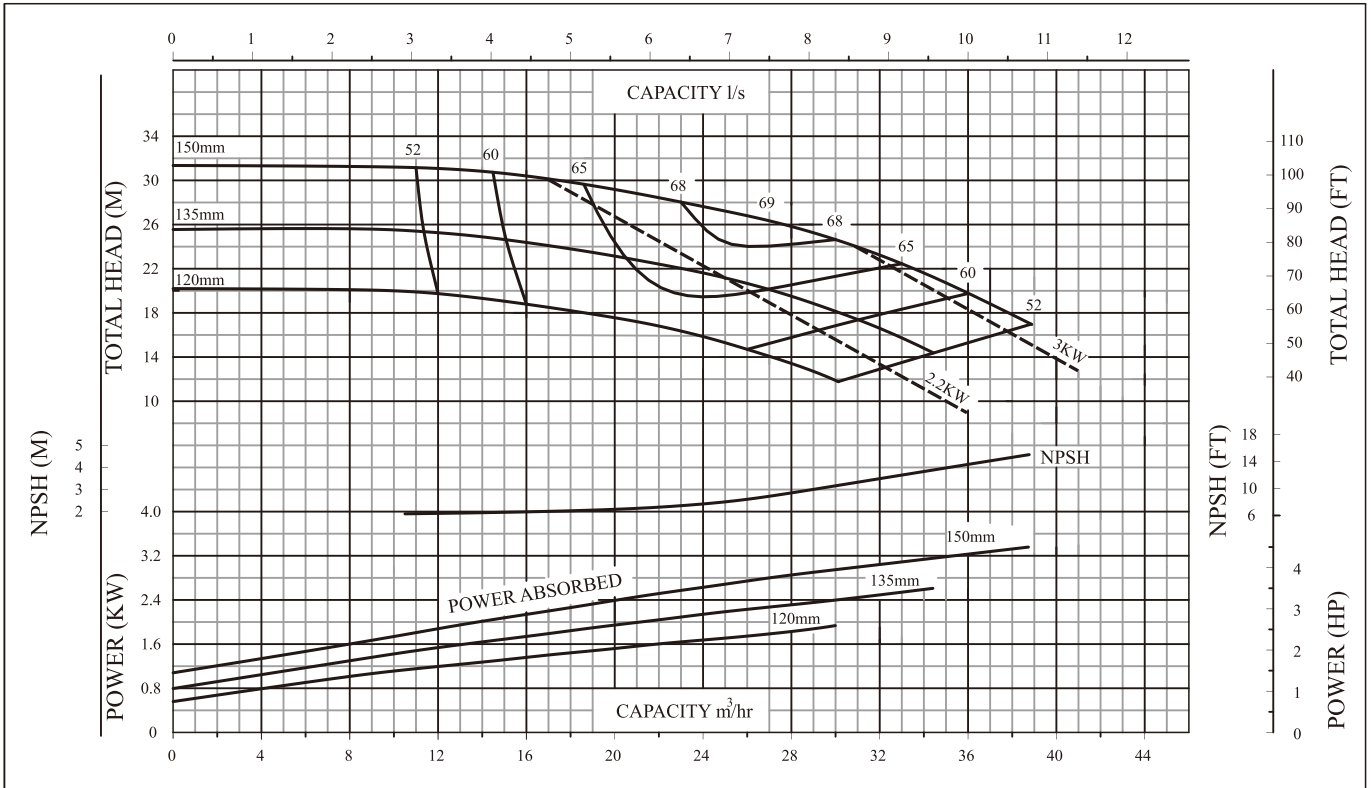
Note:

- Curves are subject to water, 20°C, dynamic viscosity 1mm<sup>2</sup>/s (1 cSt)
- Performance curves with different impeller diameters under nominal rotating speed
- Calculation between H (m) and P (kPa) is based on water, density = 1000kg/m<sup>3</sup>
- If density is not the same, discharge pressure is proportional to density  
 If density is greater than 1000kg/m<sup>3</sup>, more output power motor is needed  
 Curves allowance is as per ISO 9906 Annex A requirement
- NPSH value is obtained by the largest impeller diameter, 0.5m safety margin needs to be considered when making pump selection

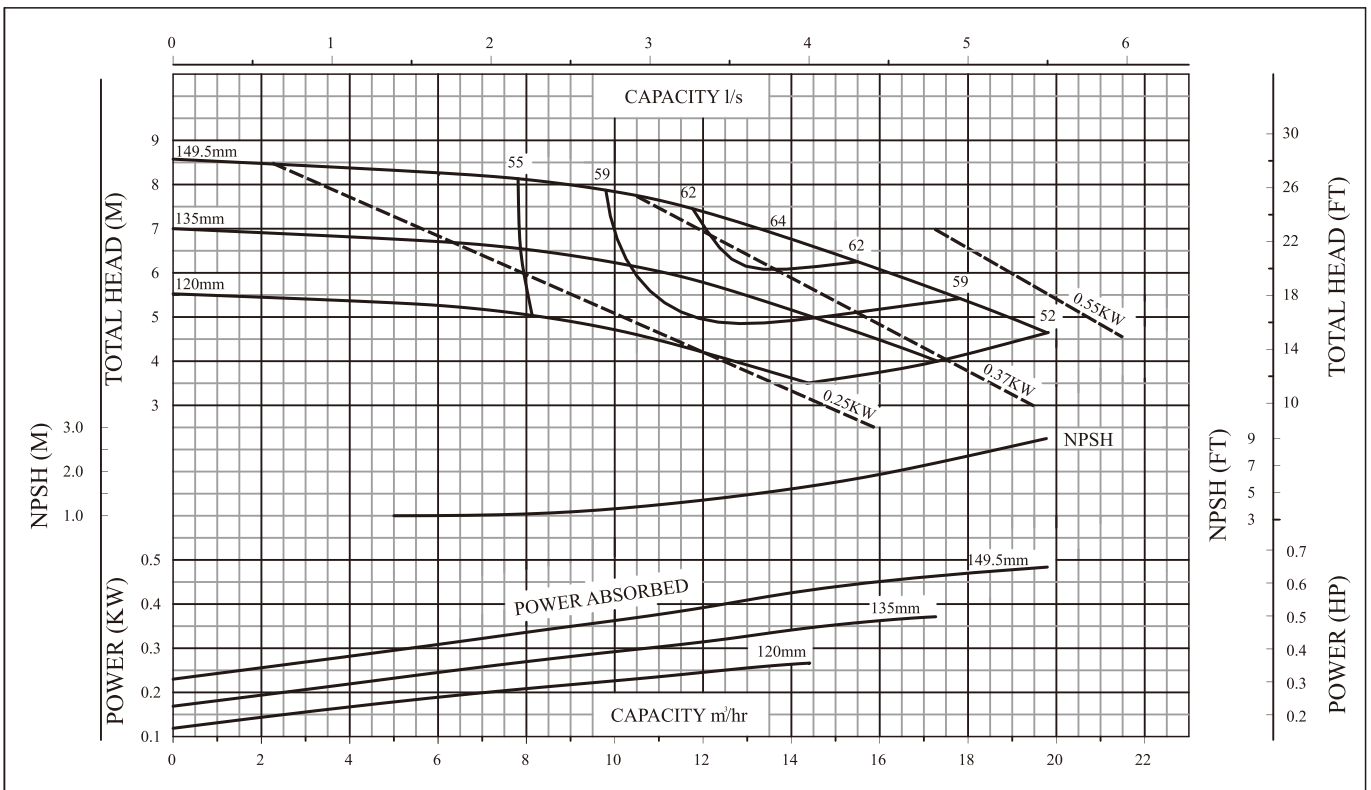
# MODEL PWT End Suction Pump



# MODEL PWT End Suction Pump



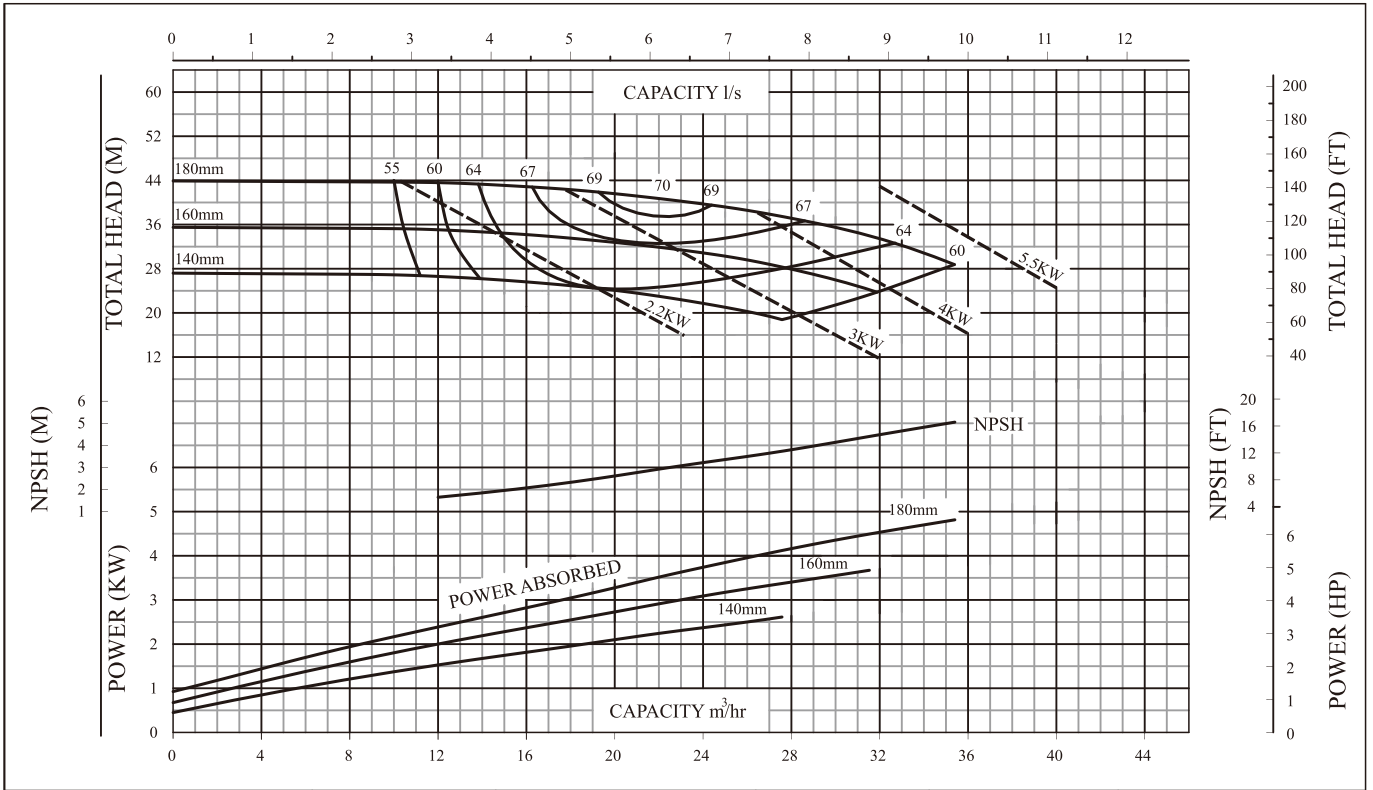
	<u>TYPE</u>	<u>SIZE</u>	<u>RPM</u>	<u>IMP.REF</u>	<u>CURVE No.</u>
	PWT	50-32-125S	2900	S	25101



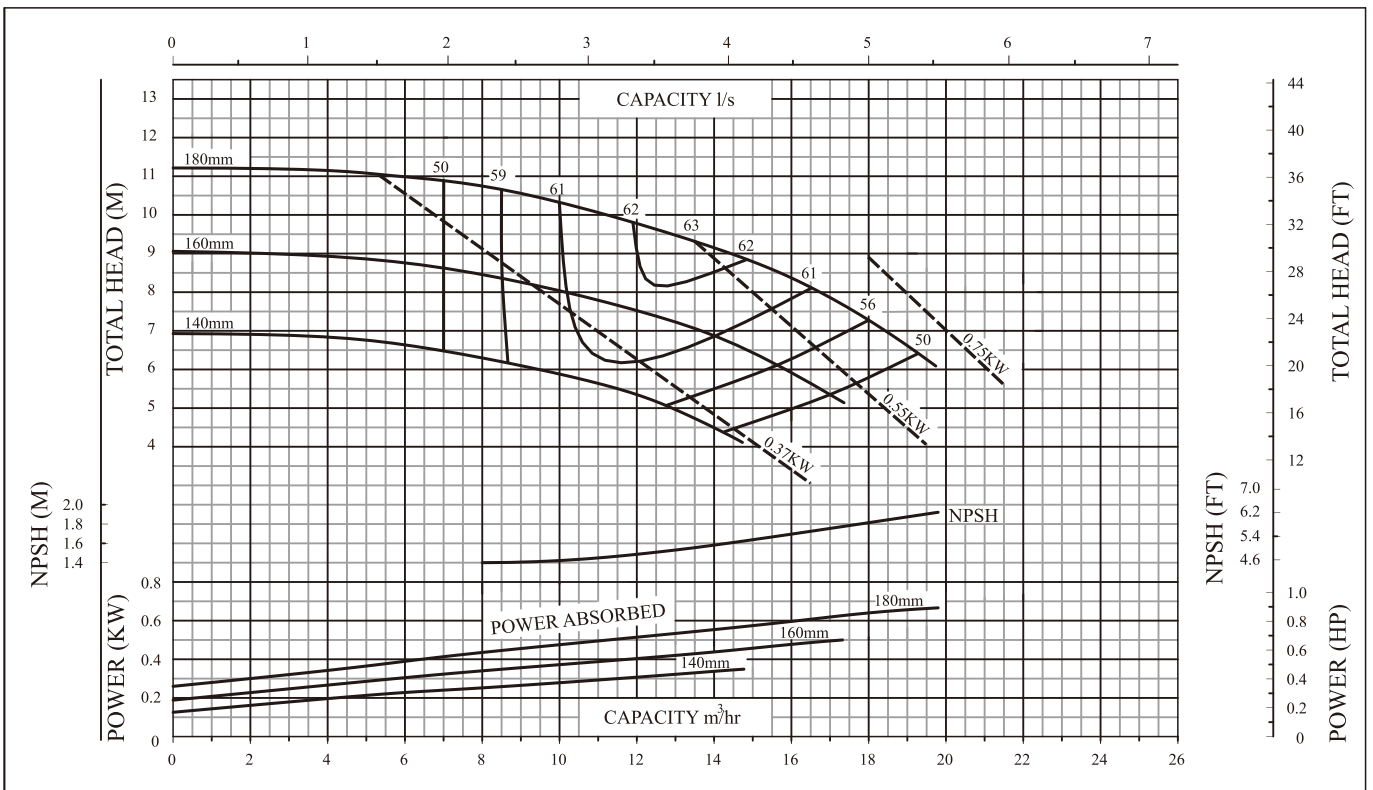
	<u>TYPE</u>	<u>SIZE</u>	<u>RPM</u>	<u>IMP.REF</u>	<u>CURVE No.</u>
	PWT	50-32-125S	1450	S	45101



# MODEL PWT End Suction Pump

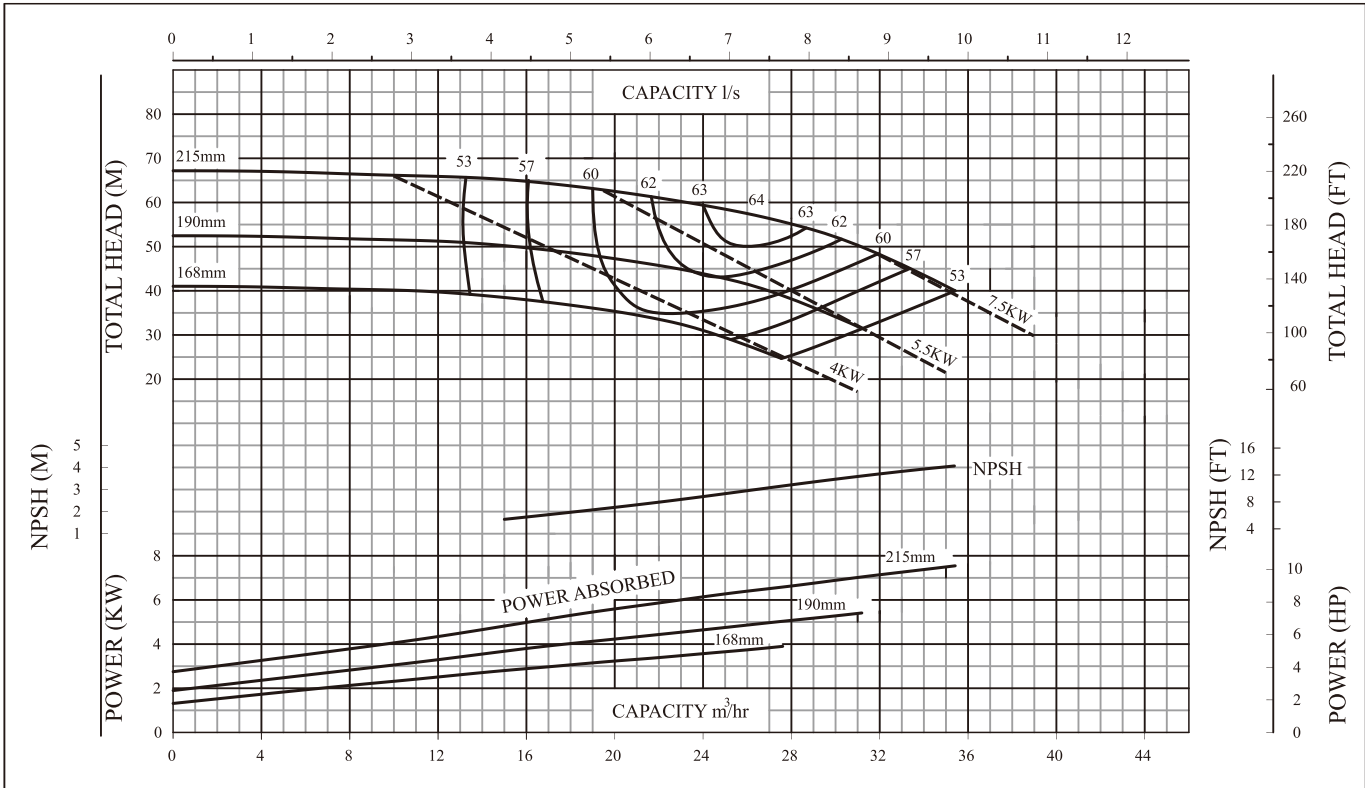


	<u>TYPE</u>	<u>SIZE</u>	<u>RPM</u>	<u>IMP.REF</u>	<u>CURVE No.</u>
	PWT	50-32-160S	2900	S	25201

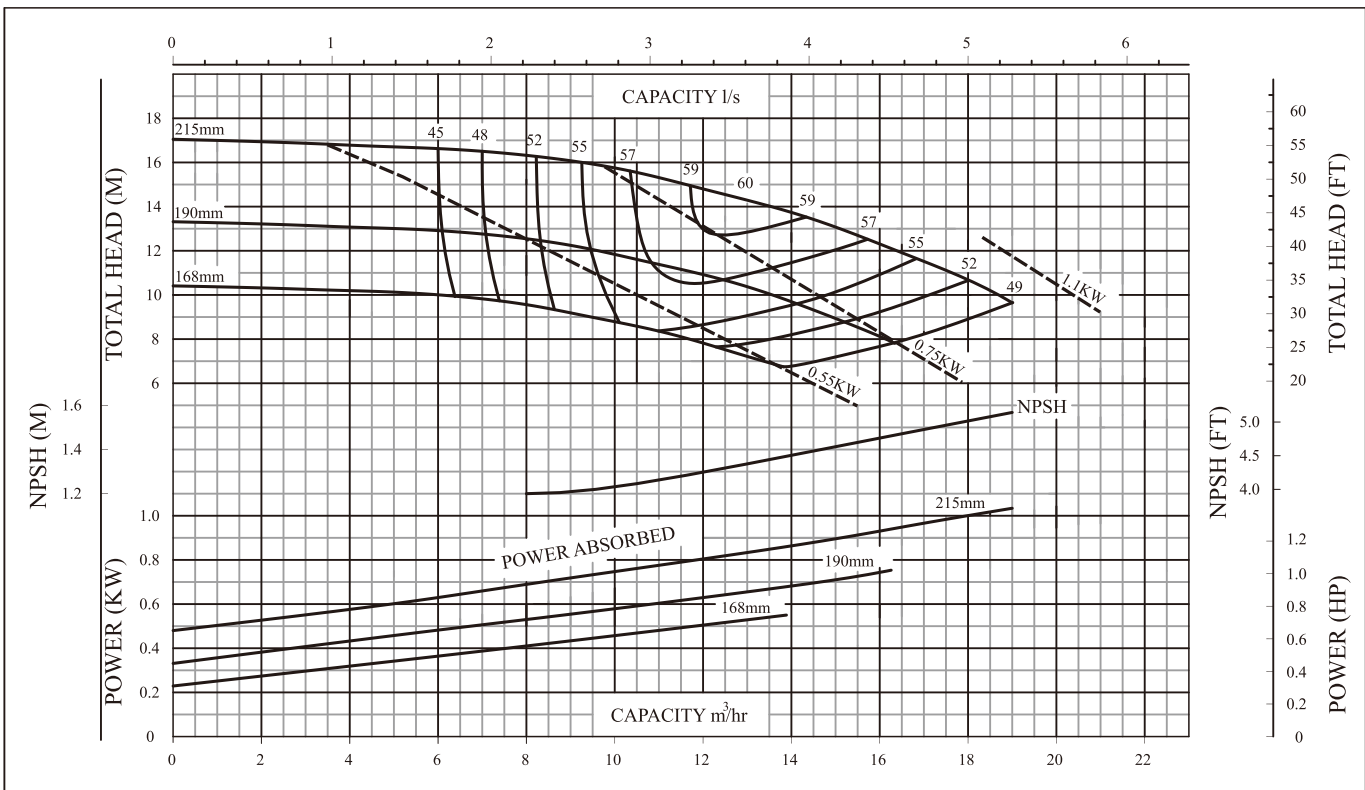


	<u>TYPE</u>	<u>SIZE</u>	<u>RPM</u>	<u>IMP.REF</u>	<u>CURVE No.</u>
	PWT	50-32-160S	1450	S	45201

# MODEL PWT End Suction Pump

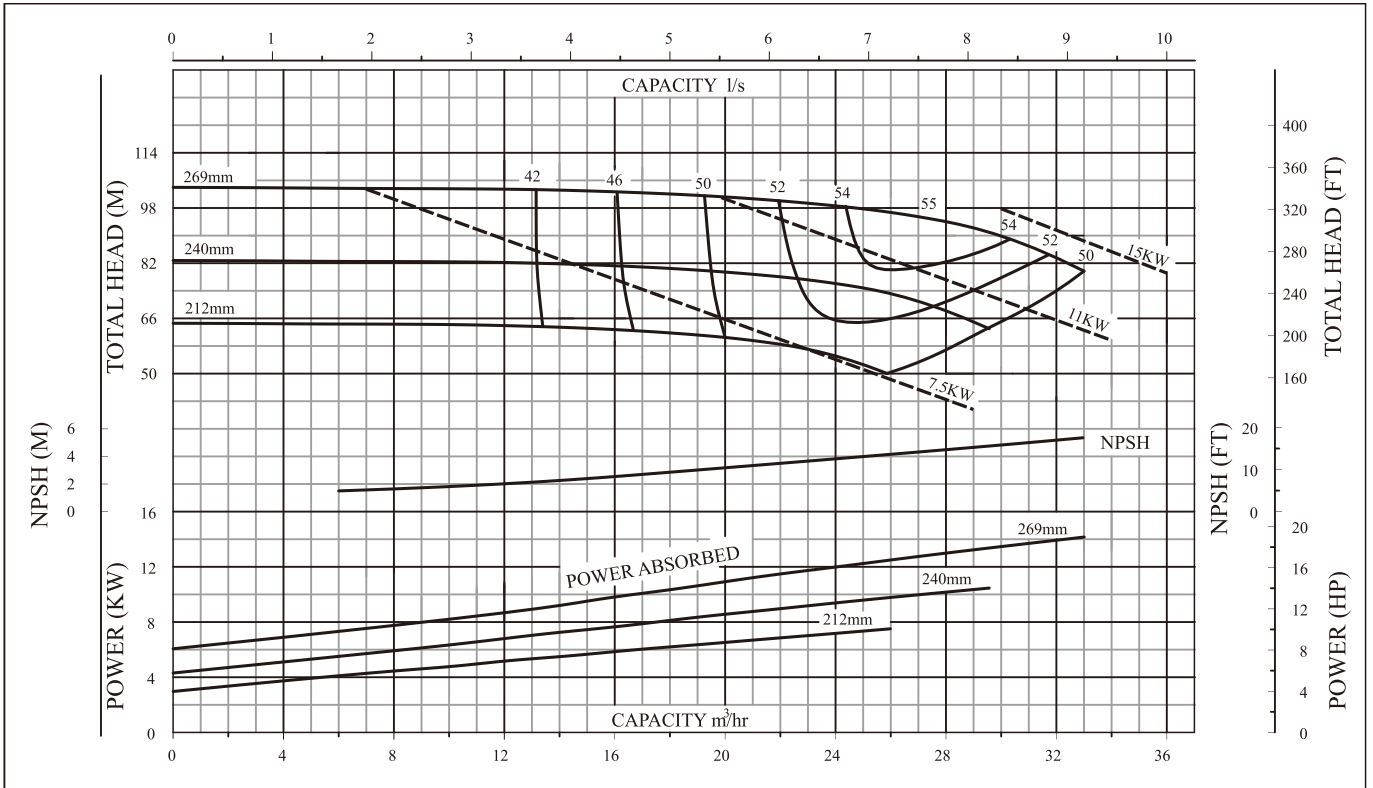


<b>PENTAIR</b>	<u>TYPE</u>	<u>SIZE</u>	<u>RPM</u>	<u>IMP.REF</u>	<u>CURVE No.</u>
	PWT	50-32-200S	2900	S	25301

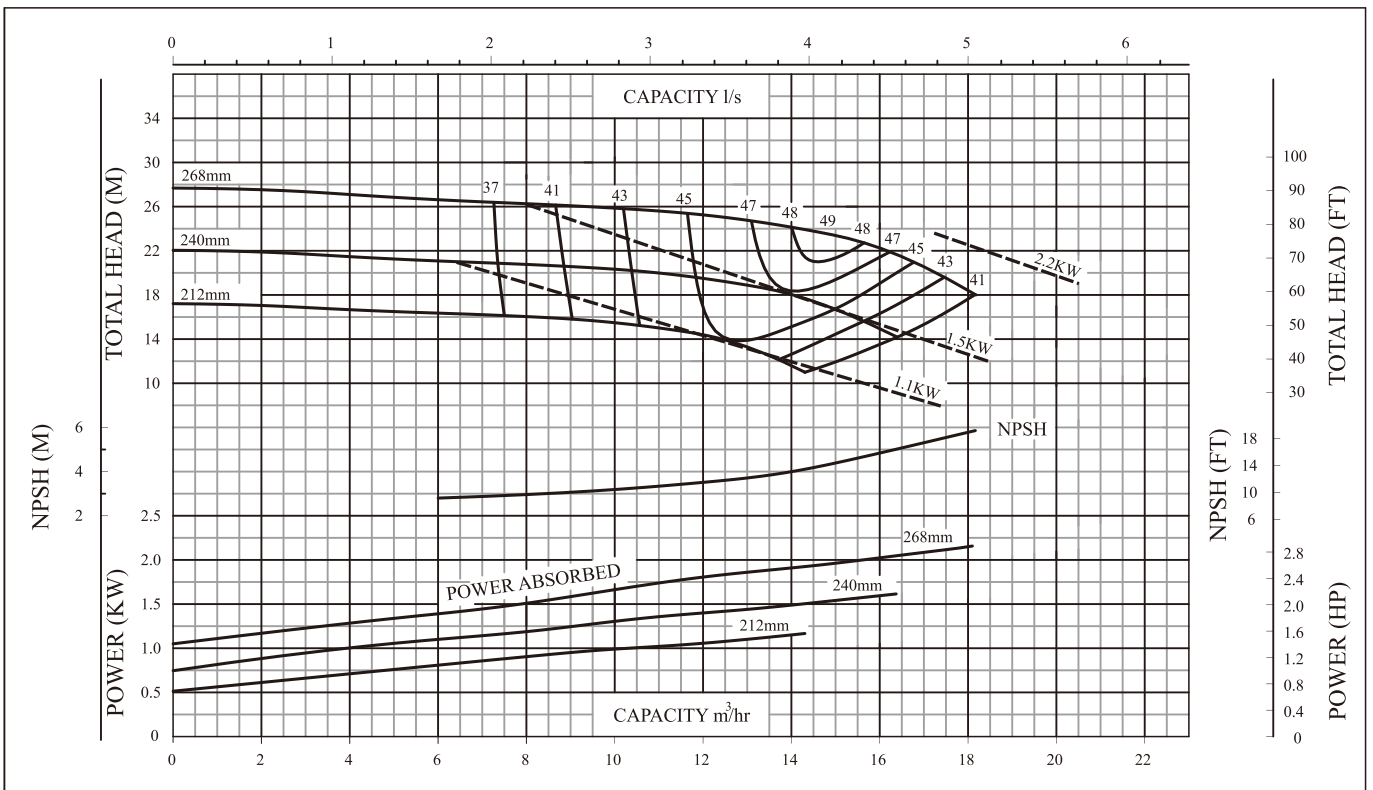


<b>PENTAIR</b>	<u>TYPE</u>	<u>SIZE</u>	<u>RPM</u>	<u>IMP.REF</u>	<u>CURVE No.</u>
	PWT	50-32-200S	1450	S	45301

# MODEL PWT End Suction Pump

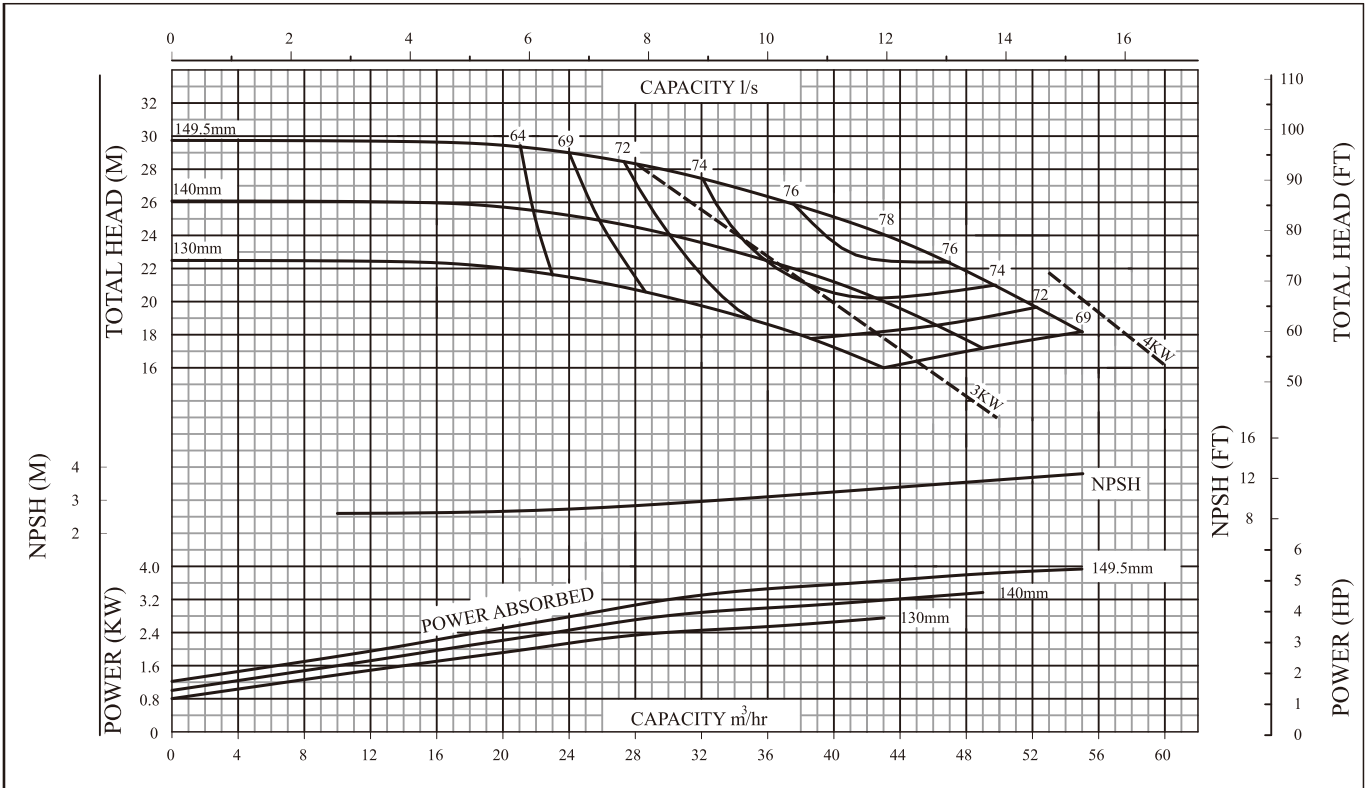


	<u>TYPE</u>	<u>SIZE</u>	<u>RPM</u>	<u>IMP.REF</u>	<u>CURVE No.</u>
	PWT	50-32-250S	2900	S	25401

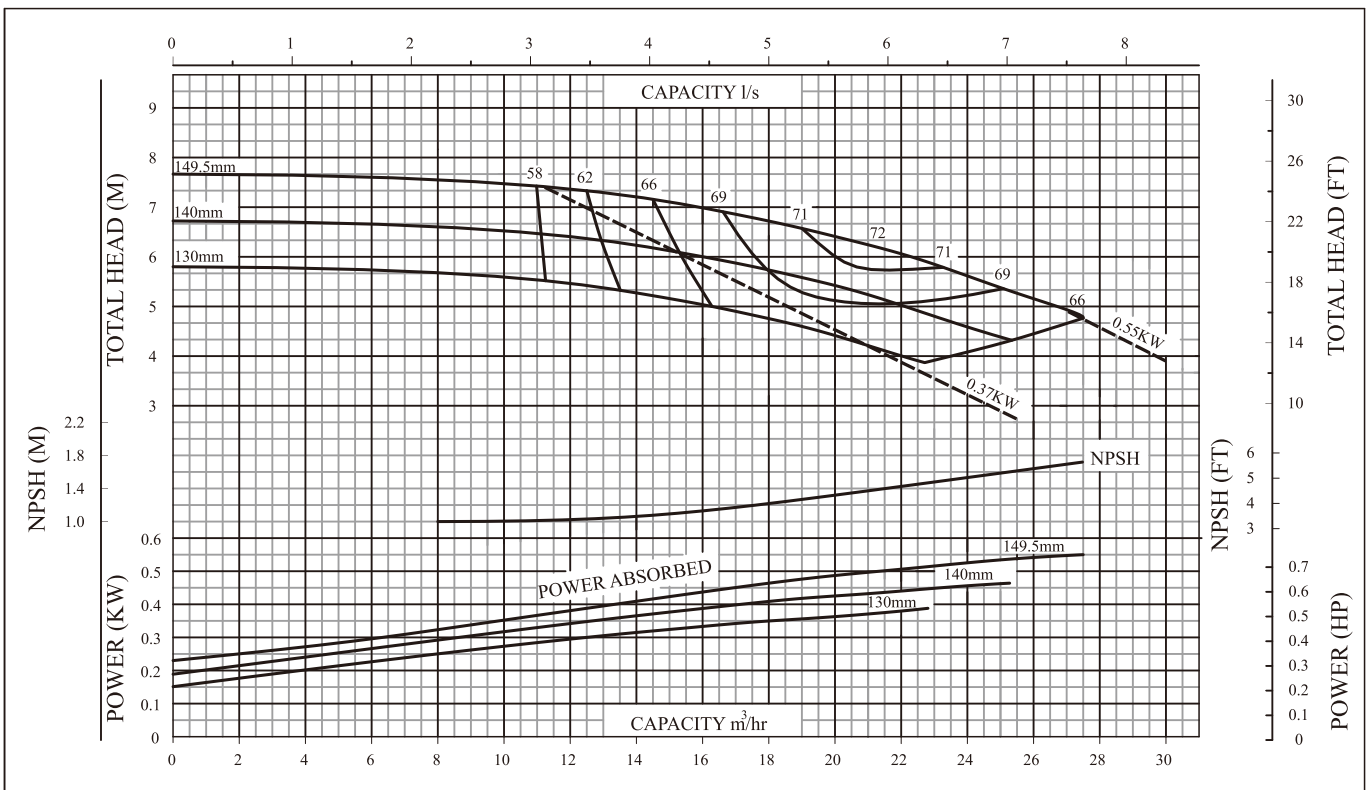


	<u>TYPE</u>	<u>SIZE</u>	<u>RPM</u>	<u>IMP.REF</u>	<u>CURVE No.</u>
	PWT	50-32-250S	1450	S	45401

# MODEL PWT End Suction Pump

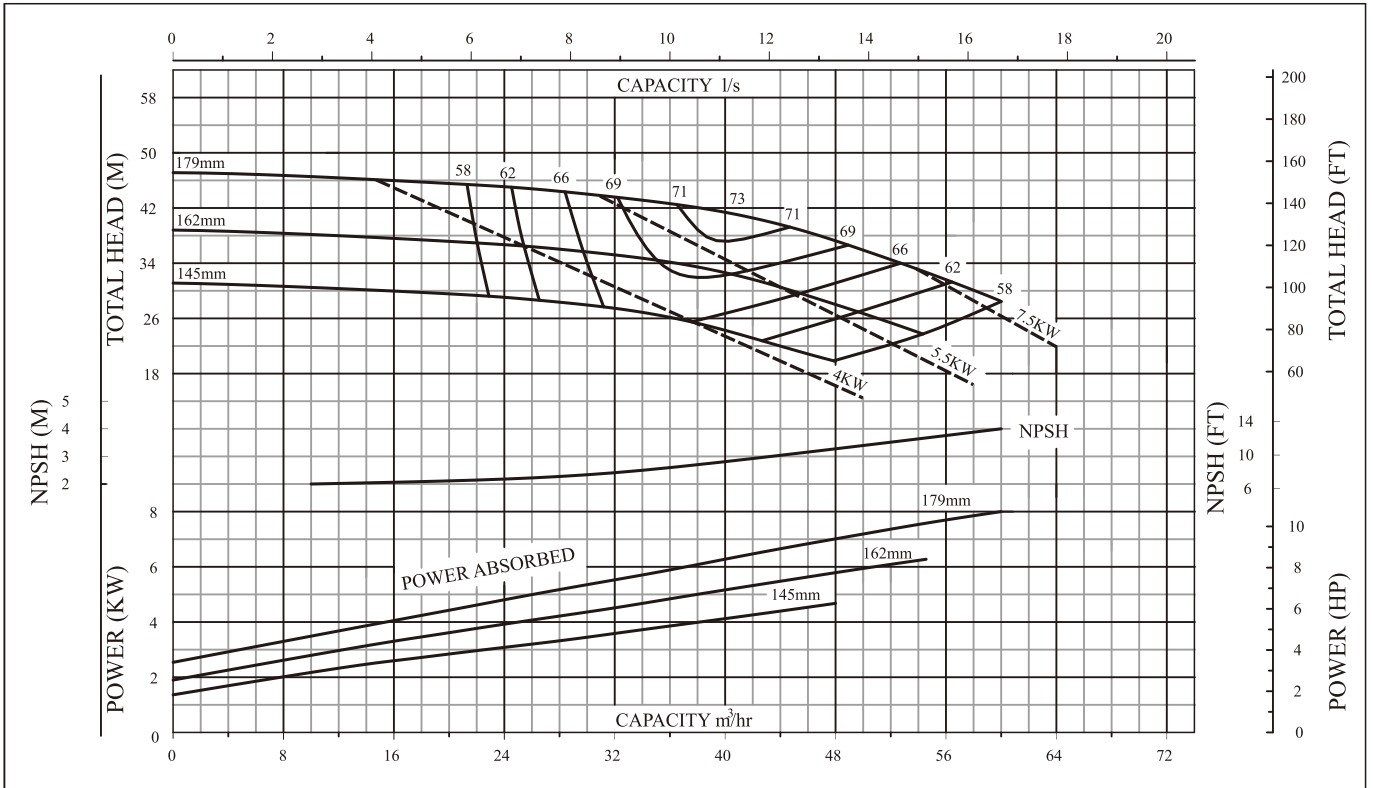


	<u>TYPE</u>	<u>SIZE</u>	<u>RPM</u>	<u>IMP.REF</u>	<u>CURVE No.</u>
	PWT	65-50-125S	2900	S	25102

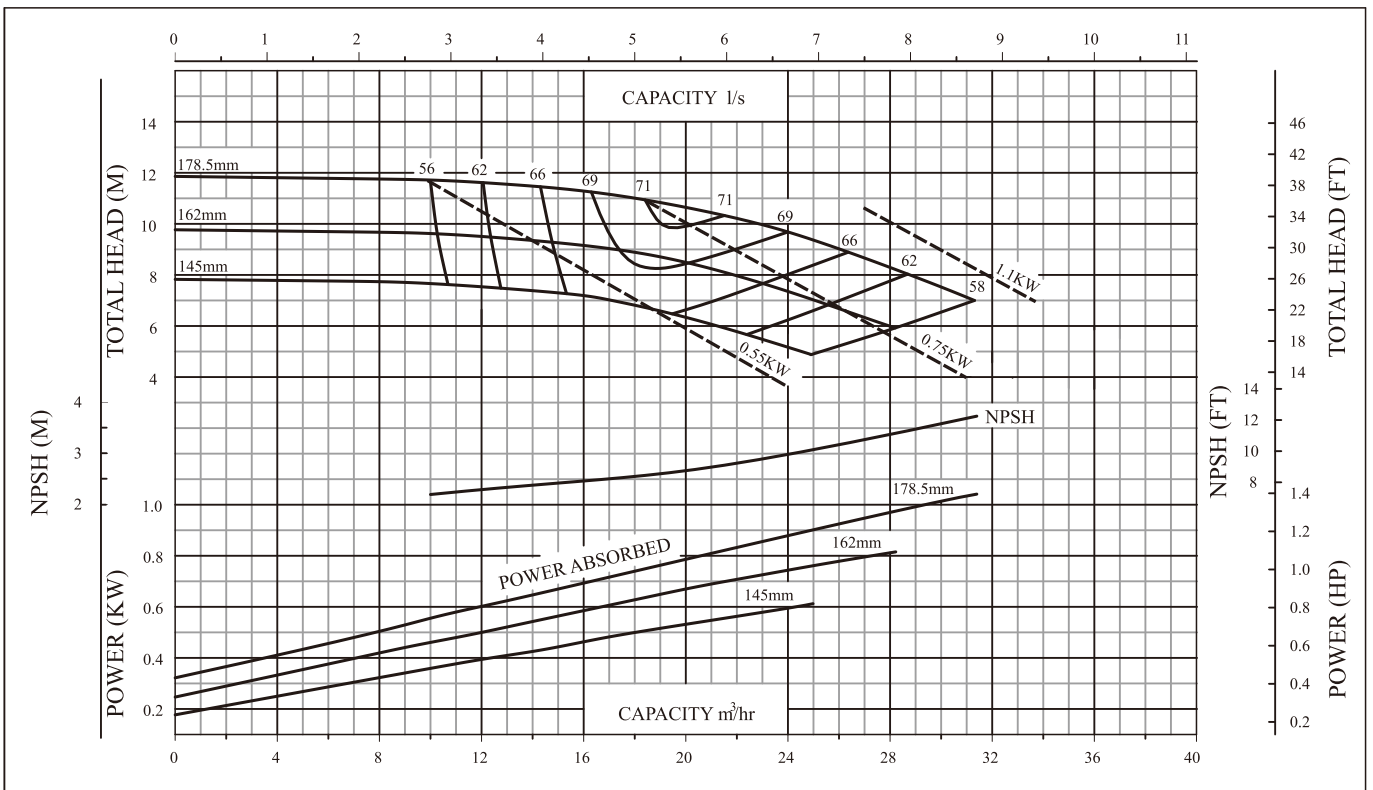


	<u>TYPE</u>	<u>SIZE</u>	<u>RPM</u>	<u>IMP.REF</u>	<u>CURVE No.</u>
	PWT	65-50-125S	1450	S	45102

# MODEL PWT End Suction Pump

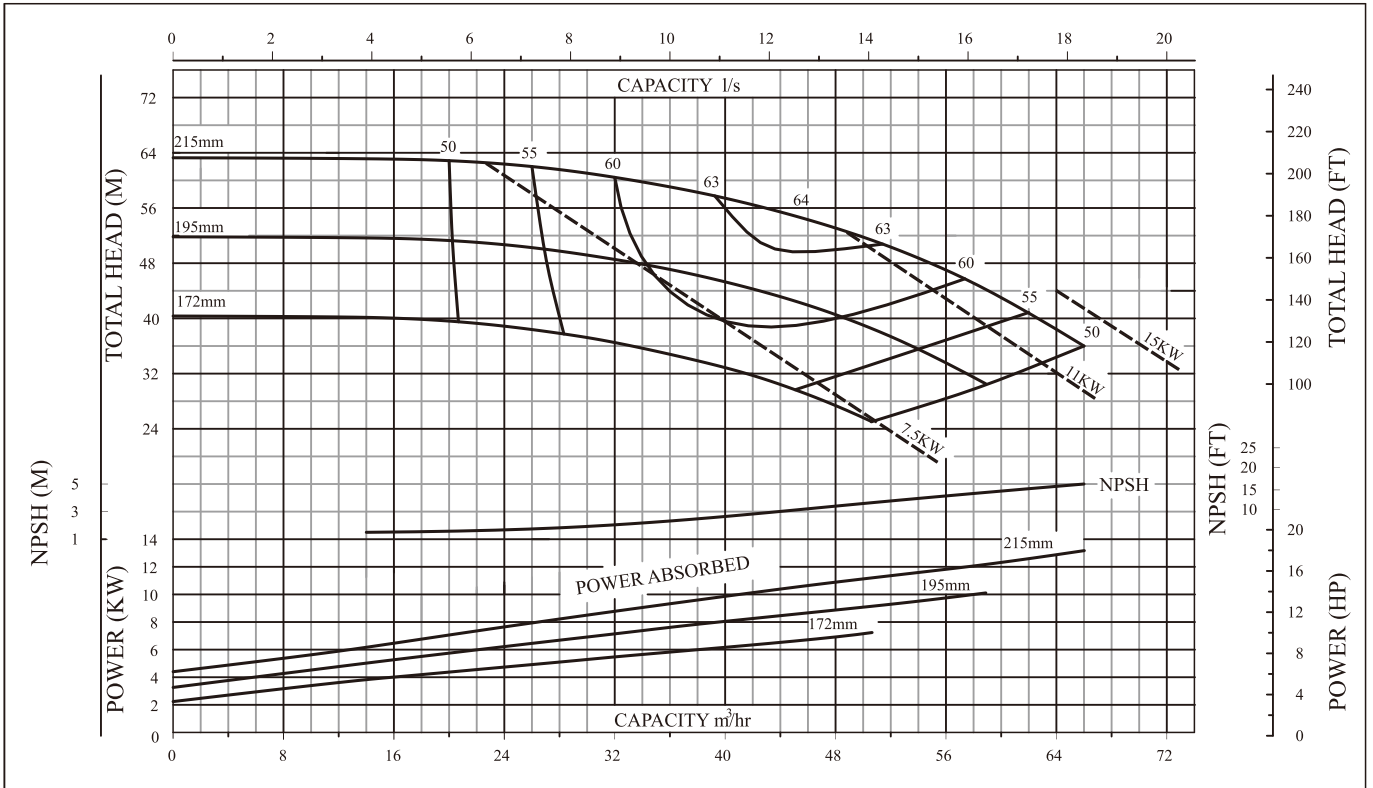


	<u>TYPE</u>	<u>SIZE</u>	<u>RPM</u>	<u>IMP.REF</u>	<u>CURVE No.</u>
	PWT	65-50-160S	2900	S	25202

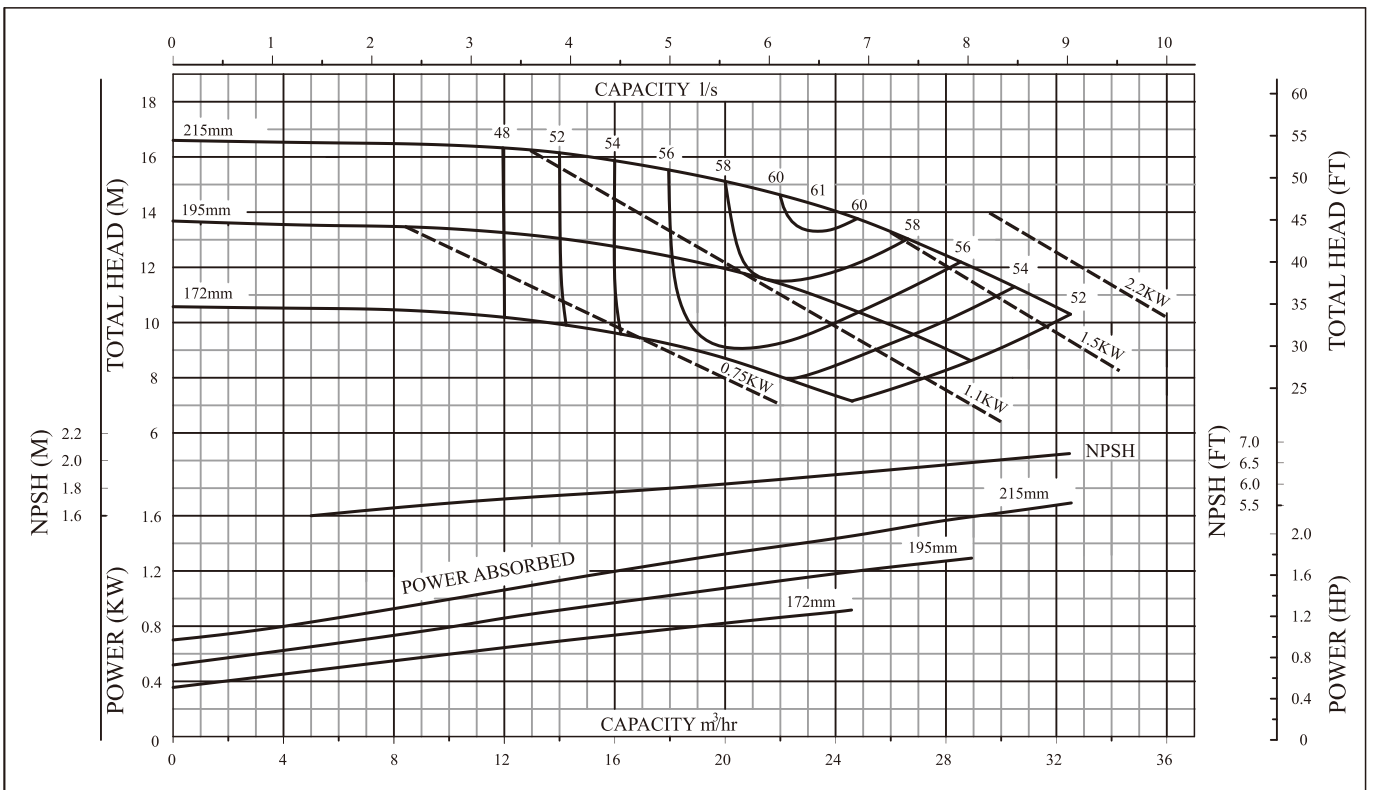


	<u>TYPE</u>	<u>SIZE</u>	<u>RPM</u>	<u>IMP.REF</u>	<u>CURVE No.</u>
	S	65-50-160S	1450	S	45202

# MODEL PWT End Suction Pump

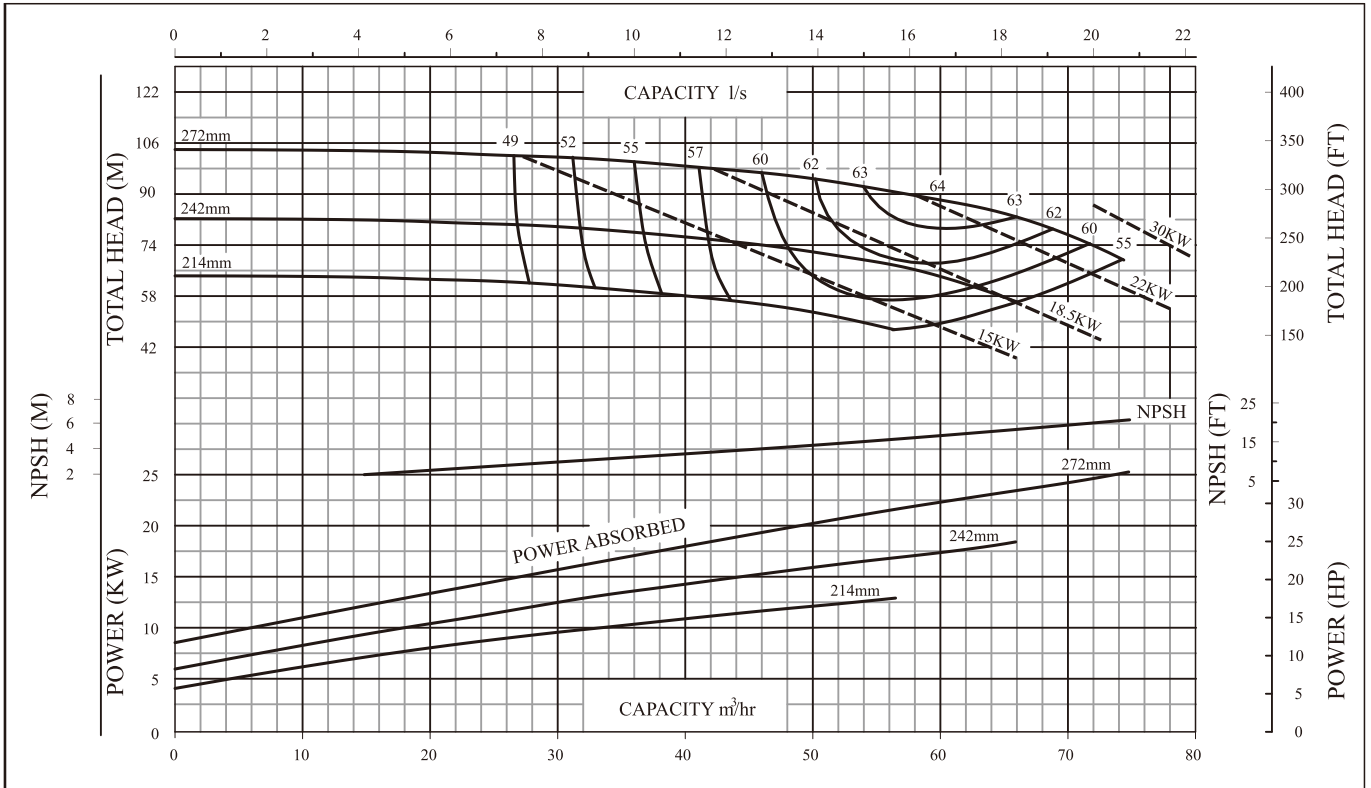


	<u>TYPE</u>	<u>SIZE</u>	<u>RPM</u>	<u>IMP.REF</u>	<u>CURVE No.</u>
	PWT	65-40-200S	2900	S	25302

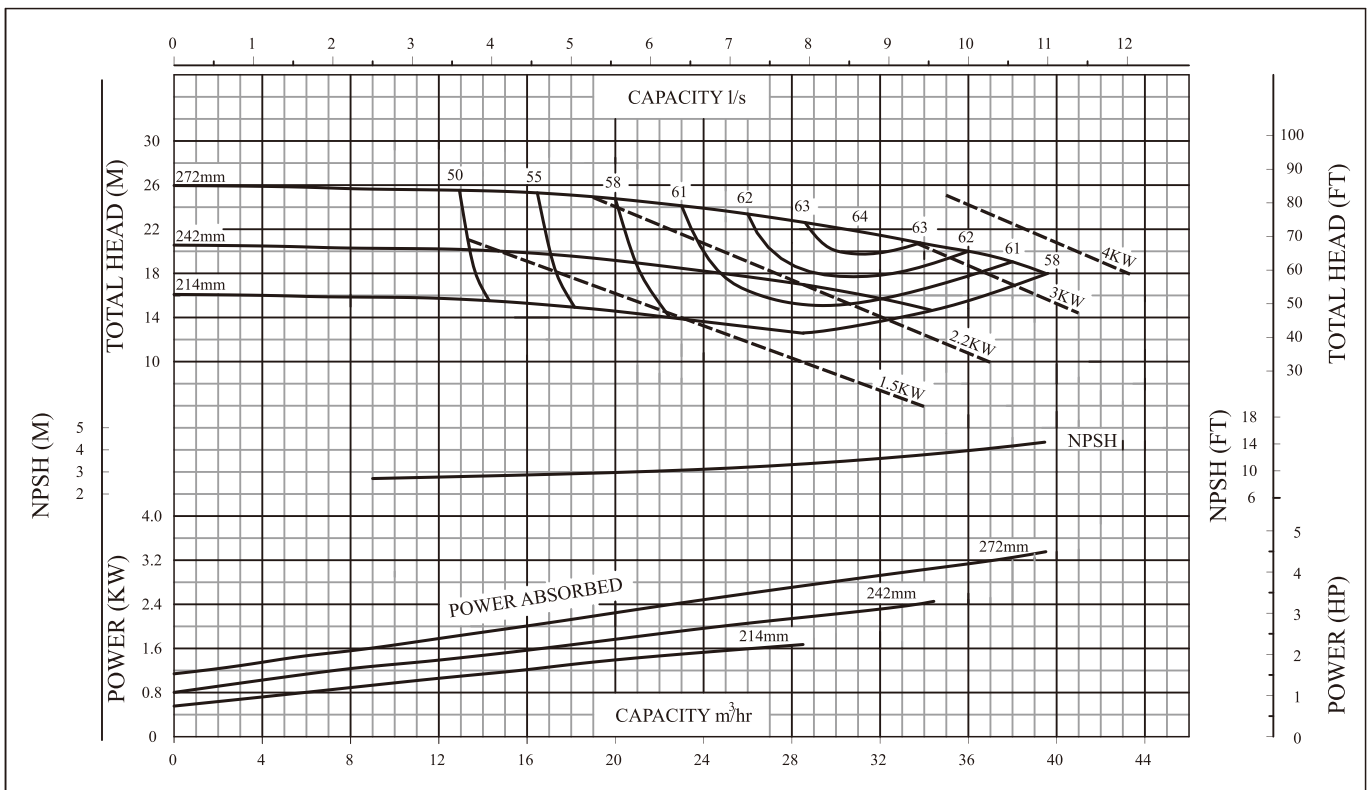


	<u>TYPE</u>	<u>SIZE</u>	<u>RPM</u>	<u>IMP.REF</u>	<u>CURVE No.</u>
	PWT	65-40-200S	1450	S	45302

# MODEL PWT End Suction Pump

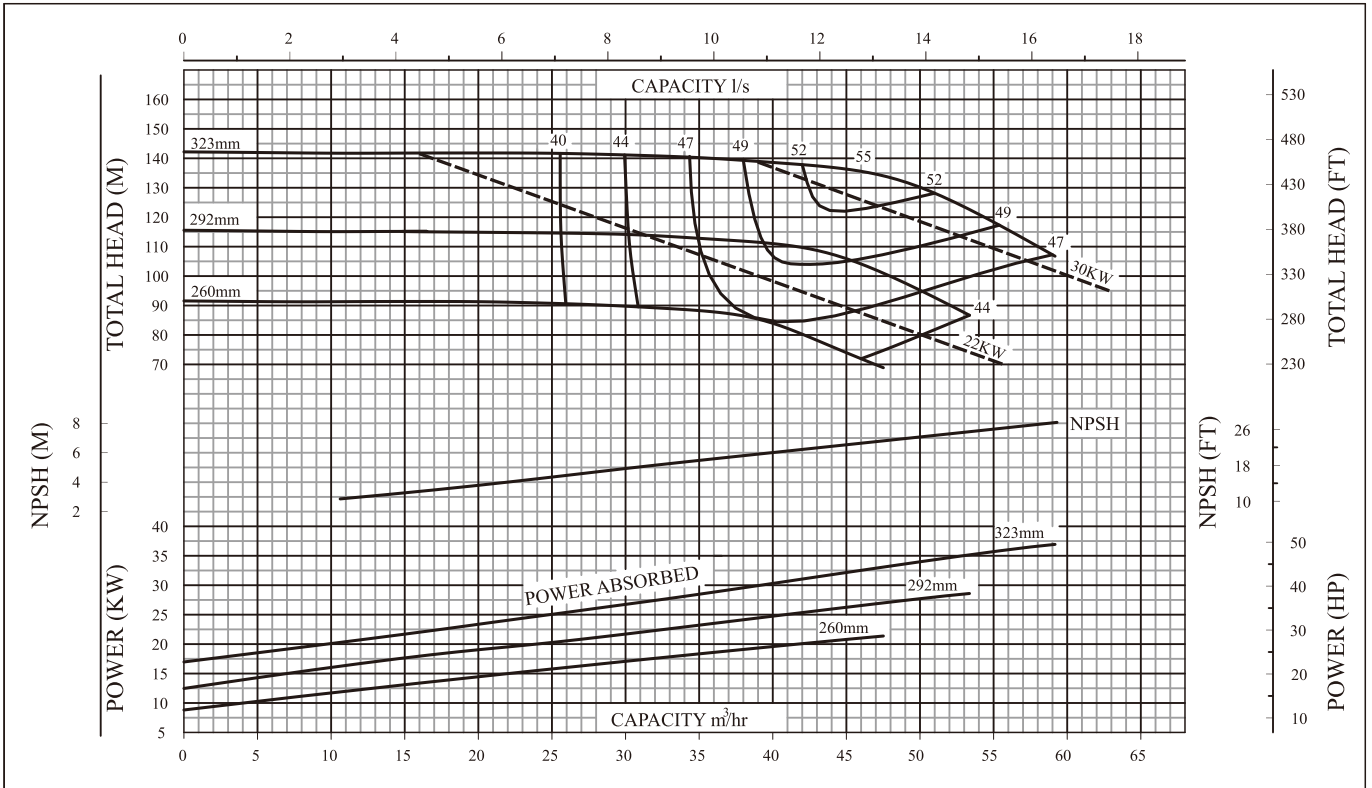


	<u>TYPE</u>	<u>SIZE</u>	<u>RPM</u>	<u>IMP.REF</u>	<u>CURVE No.</u>
	PWT	65-40-250S	2900	S	25402

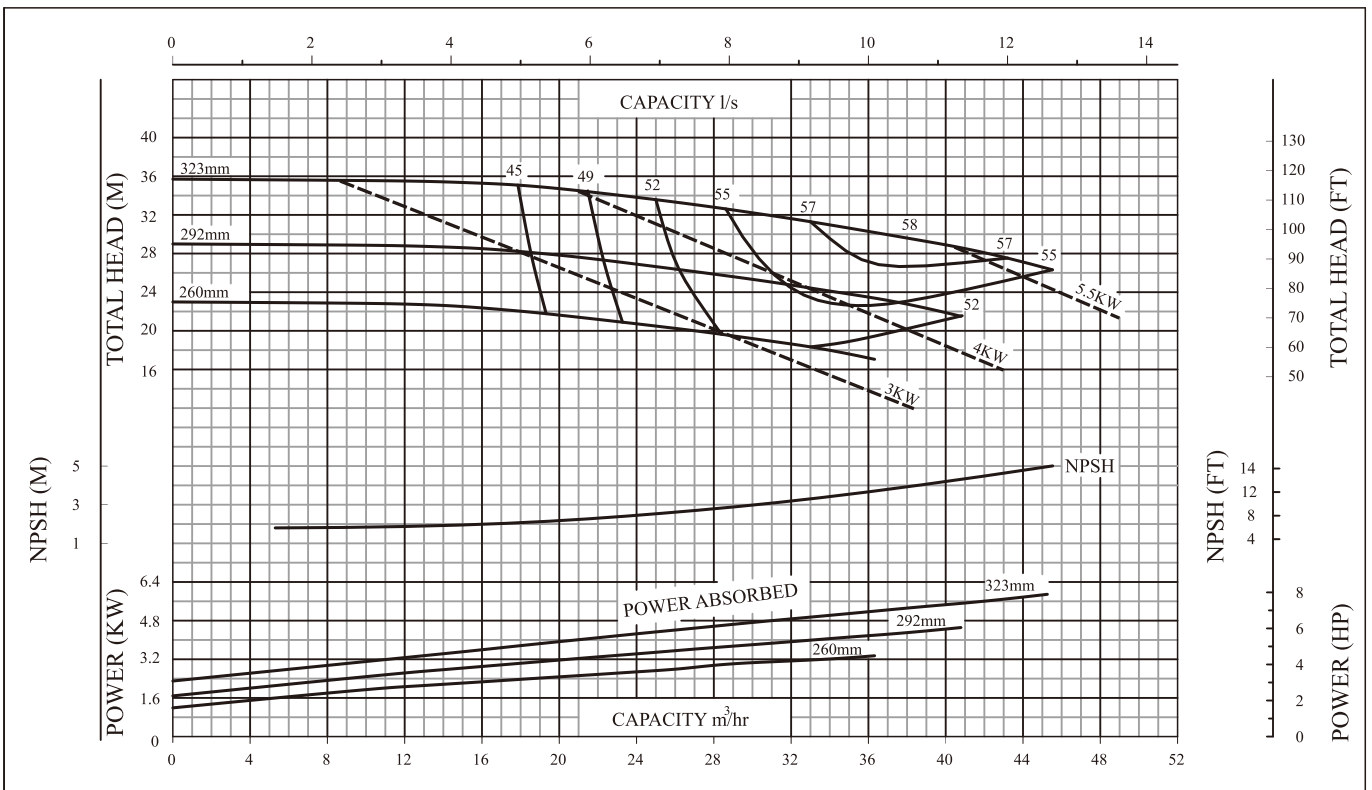


	<u>TYPE</u>	<u>SIZE</u>	<u>RPM</u>	<u>IMP.REF</u>	<u>CURVE No.</u>
	PWT	65-40-250S	1450	S	45402

# MODEL PWT End Suction Pump



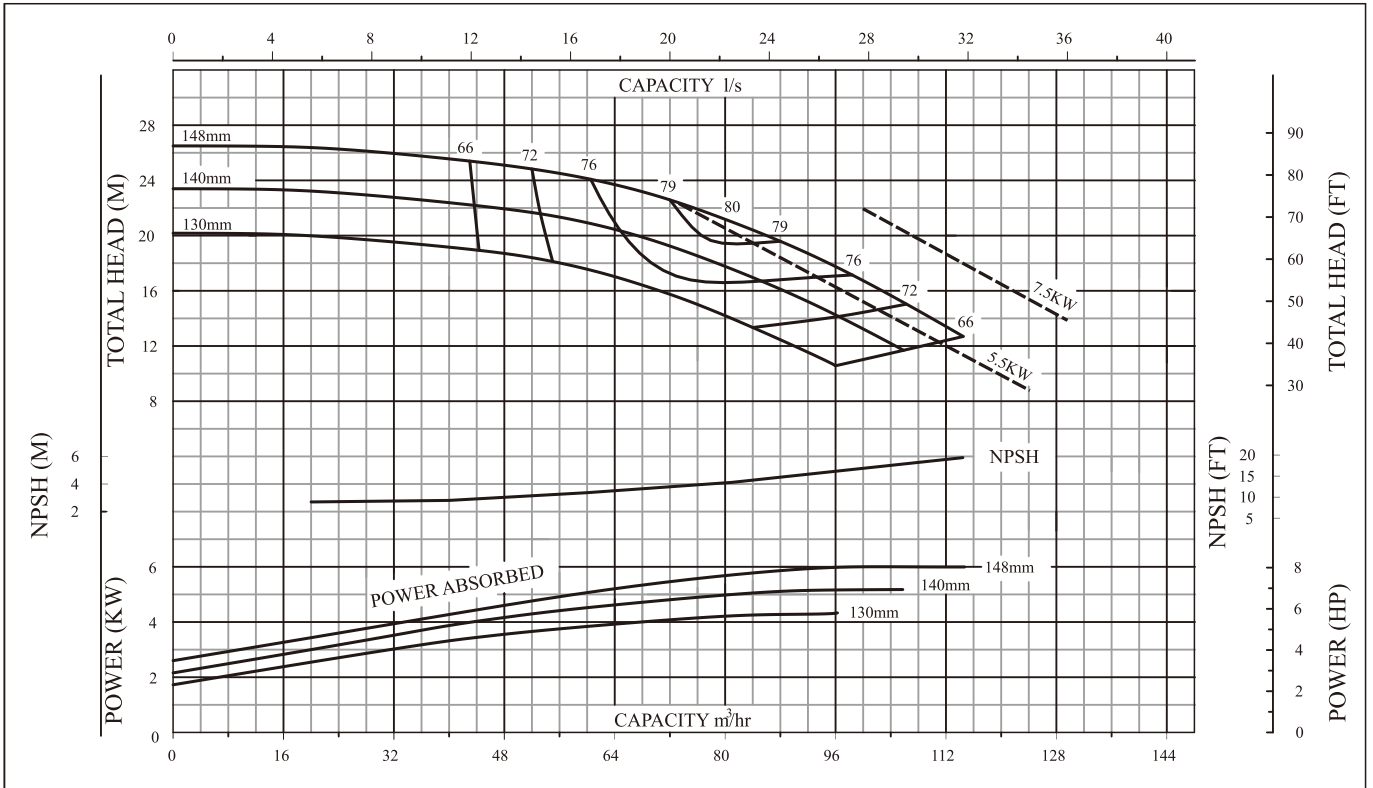
	<u>TYPE</u>	<u>SIZE</u>	<u>RPM</u>	<u>IMP.REF</u>	<u>CURVE No.</u>
	PWT	65-40-315S	2900	S	25501



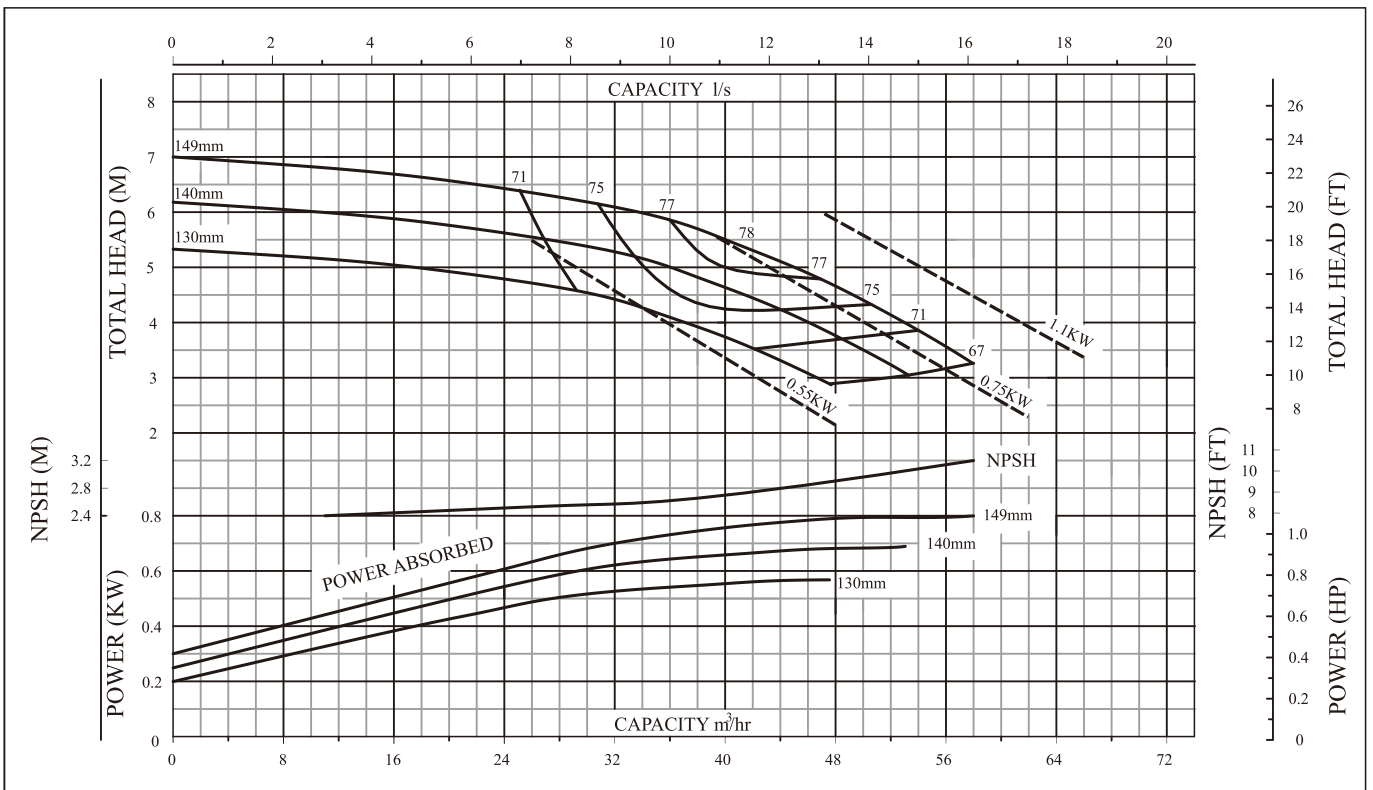
	<u>TYPE</u>	<u>SIZE</u>	<u>RPM</u>	<u>IMP.REF</u>	<u>CURVE No.</u>
	PWT	65-40-315S	1450	S	45501



# MODEL PWT End Suction Pump

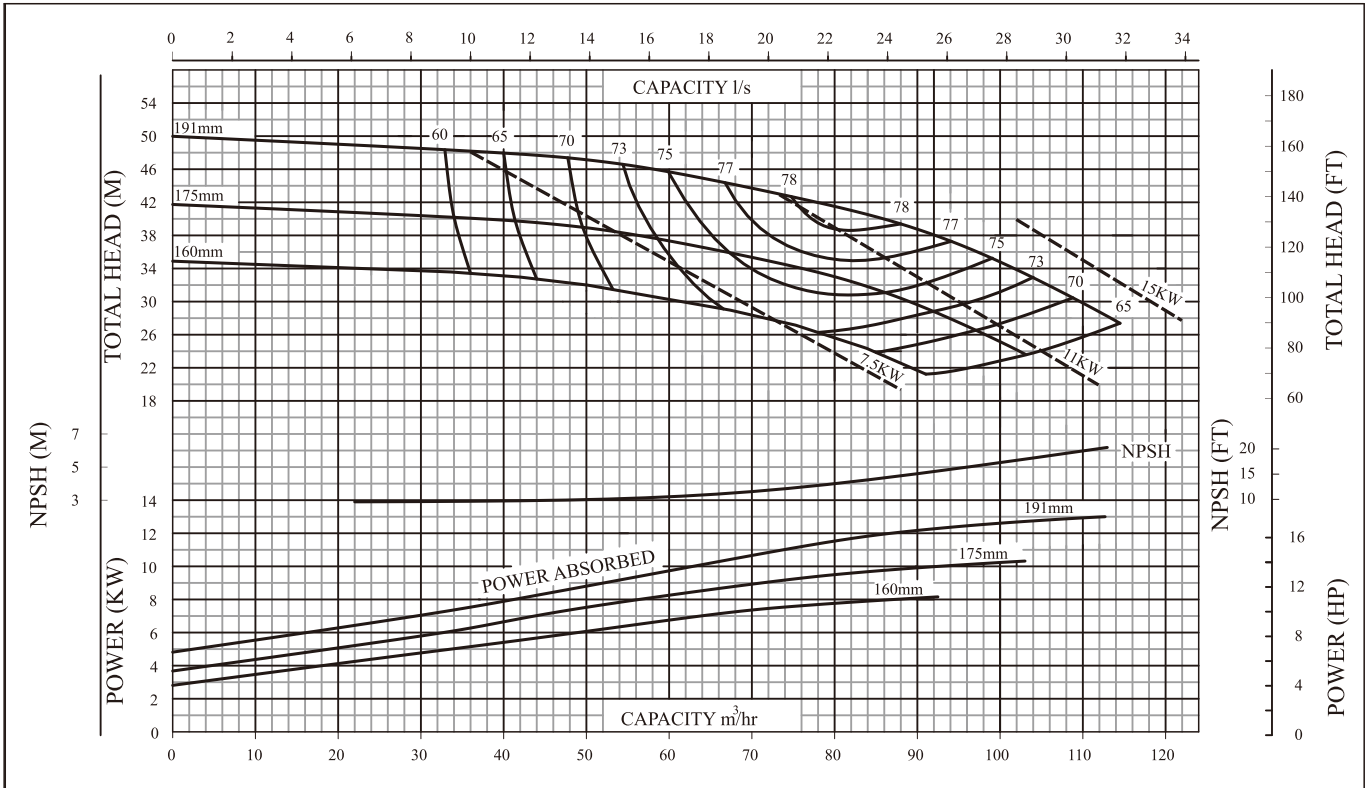


<b>PENTAIR</b>	<u>TYPE</u>	<u>SIZE</u>	<u>RPM</u>	<u>IMP.REF</u>	<u>CURVE No.</u>
	PWT	80-65-125S	2900	S	25103

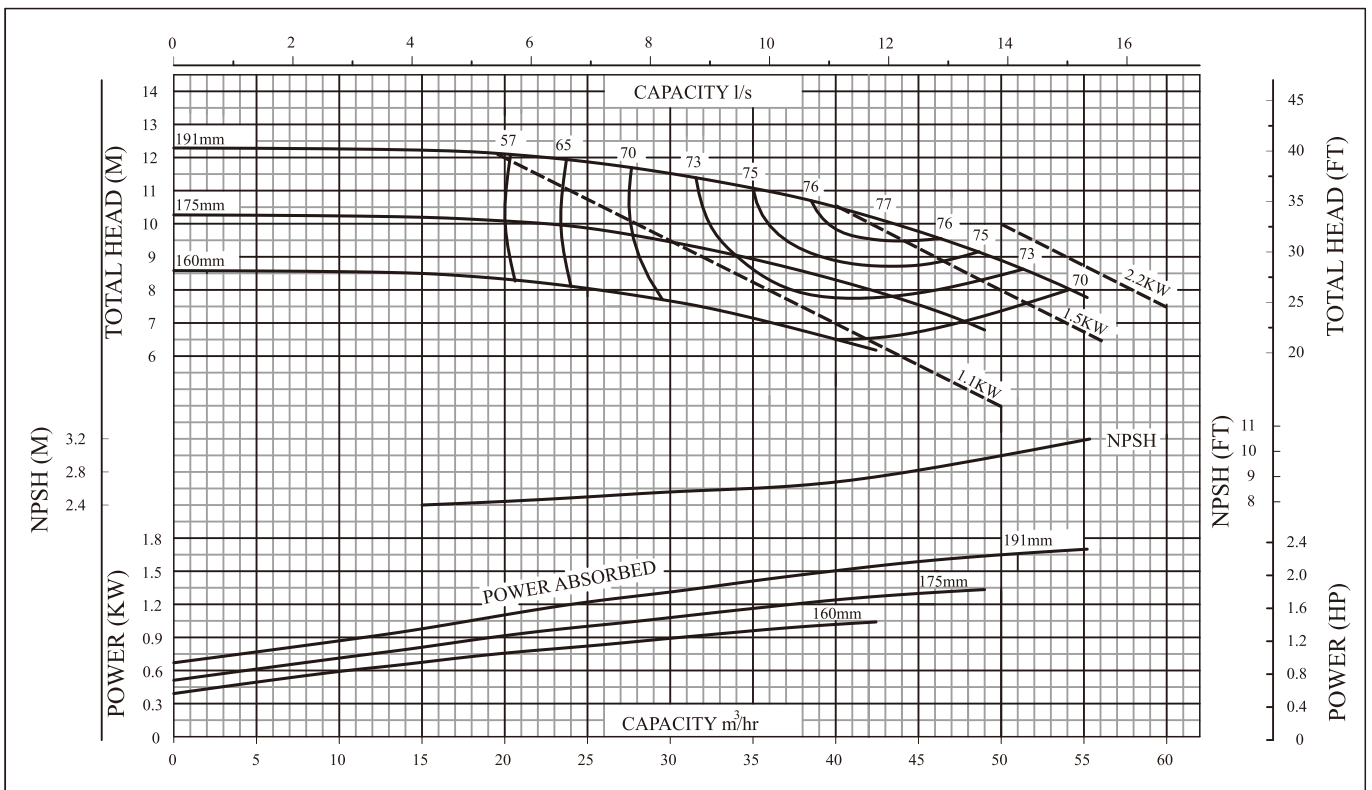


<b>PENTAIR</b>	<u>TYPE</u>	<u>SIZE</u>	<u>RPM</u>	<u>IMP.REF</u>	<u>CURVE No.</u>
	PWT	80-65-125S	1450	S	45103

# MODEL PWT End Suction Pump

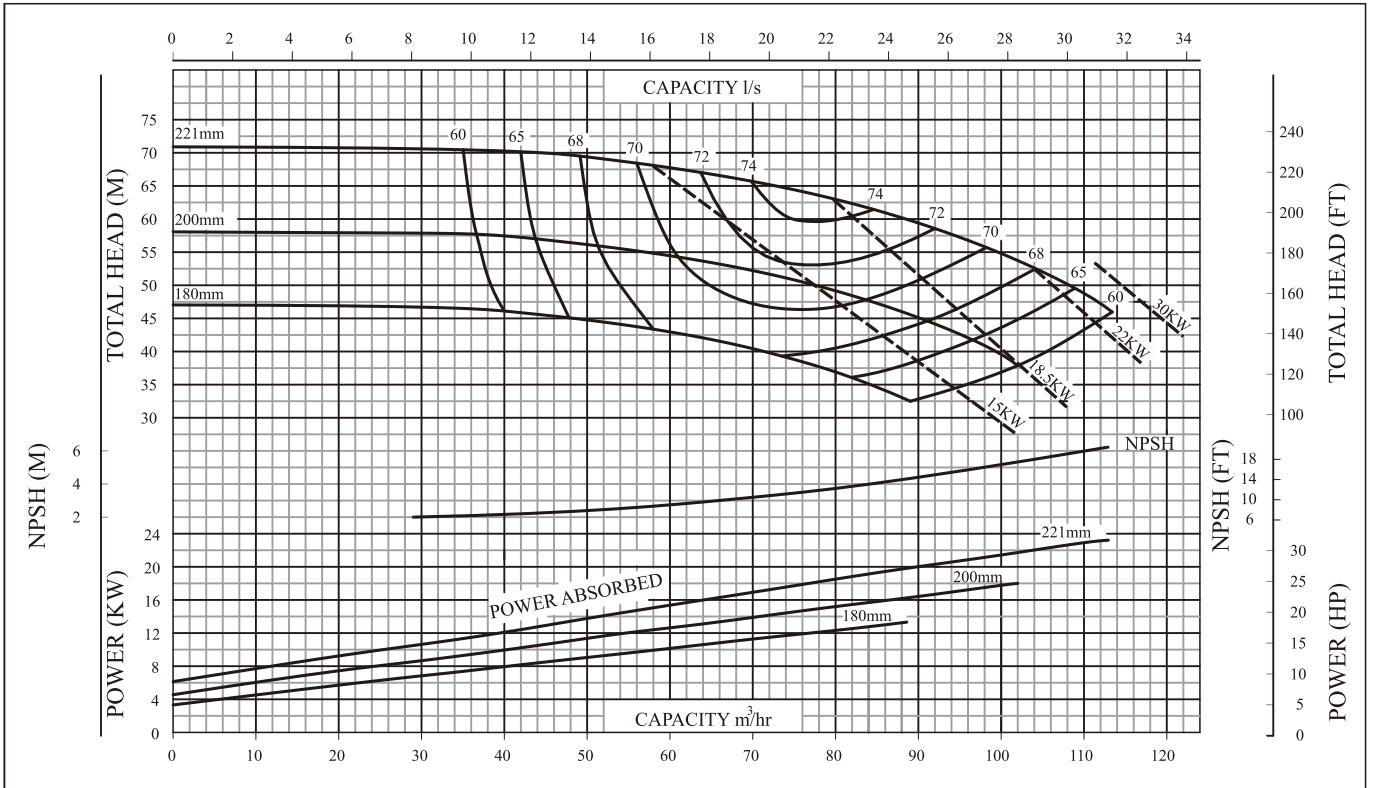


<b>PENTAIR</b>	<u>TYPE</u>	<u>SIZE</u>	<u>RPM</u>	<u>IMP.PREF</u>	<u>CURVE No.</u>
	PWT	80-65-160S	2900	S	25203

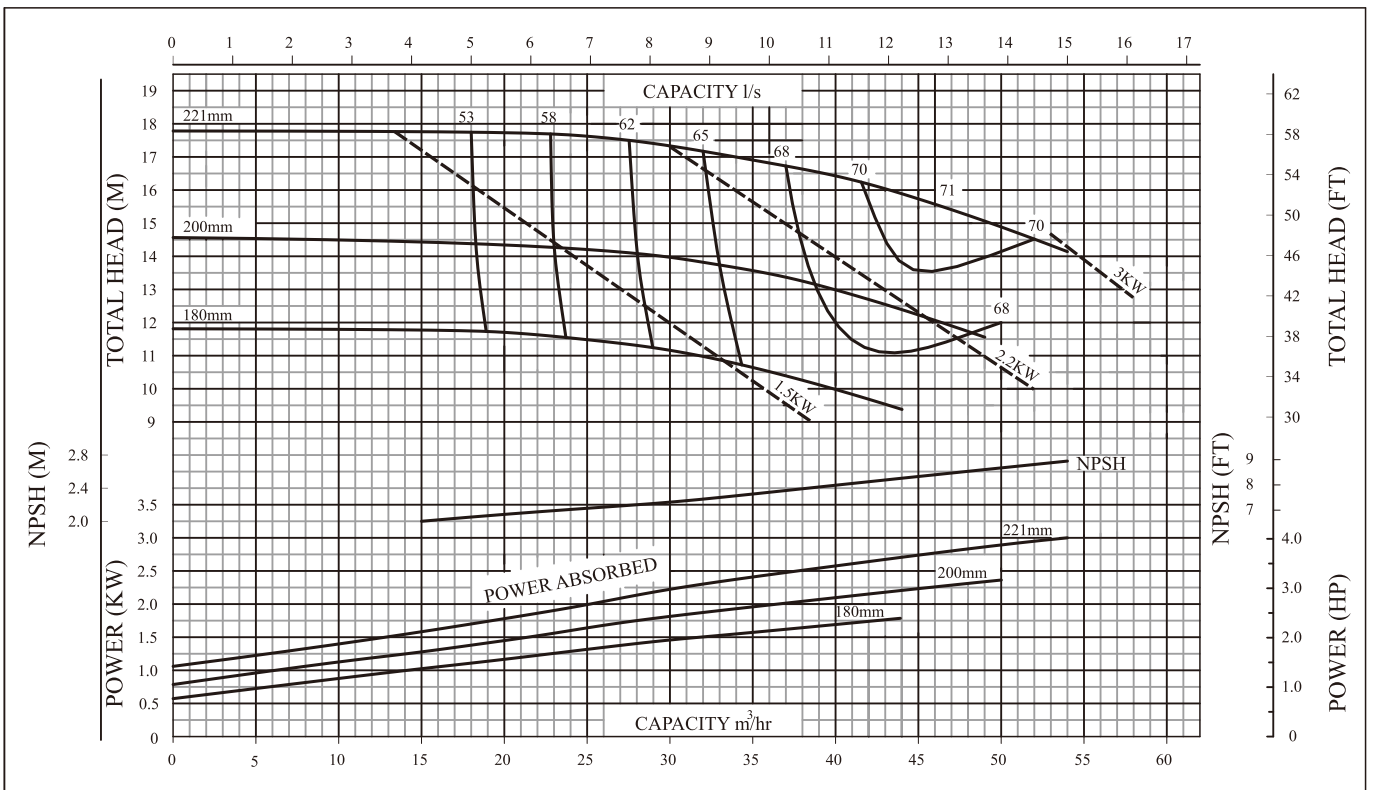


<b>PENTAIR</b>	<u>TYPE</u>	<u>SIZE</u>	<u>RPM</u>	<u>IMP.PREF</u>	<u>CURVE No.</u>
	PWT	80-65-160S	1450	S	45203

# MODEL PWT End Suction Pump

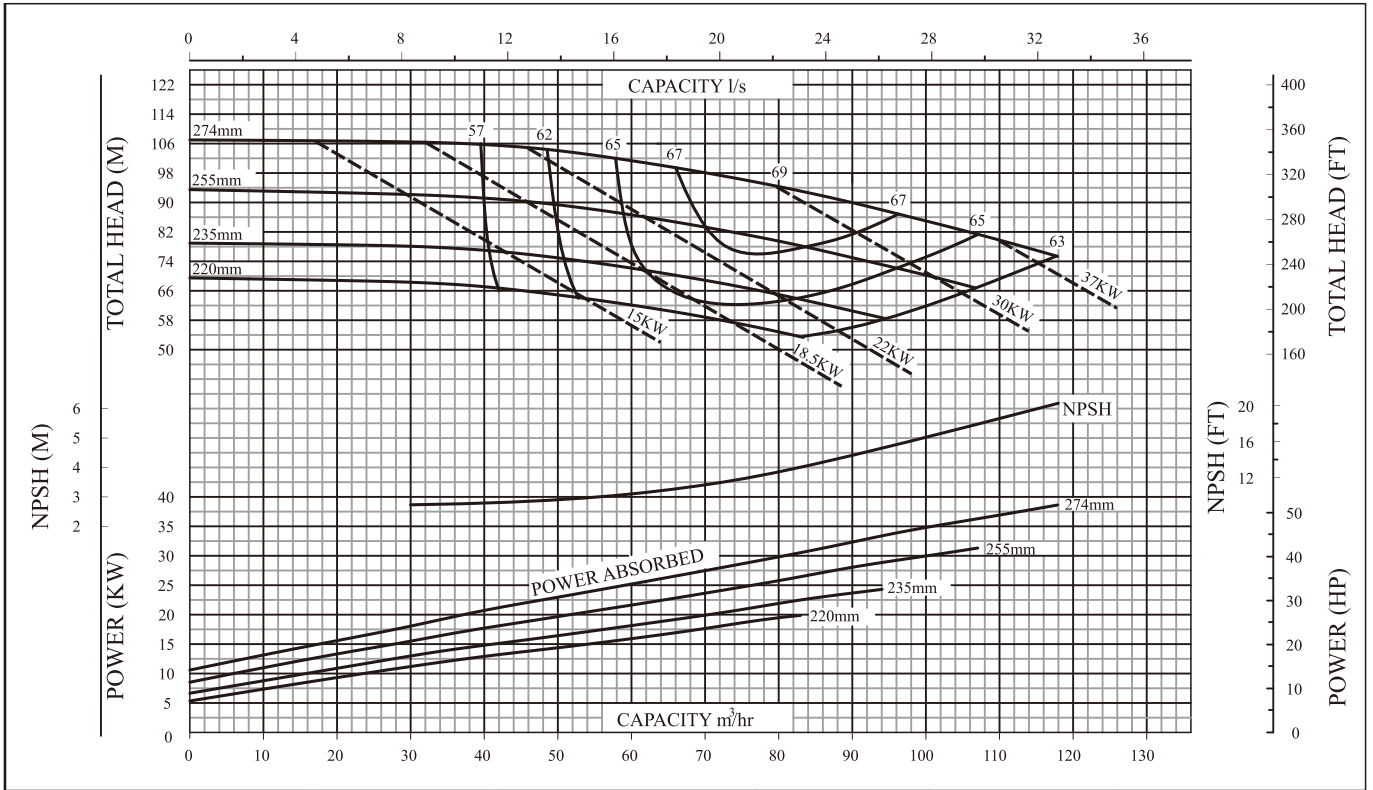


	<u>TYPE</u>	<u>SIZE</u>	<u>RPM</u>	<u>IMP.REF</u>	<u>CURVE No.</u>
	PWT	80-50-200S	2900	S	25303

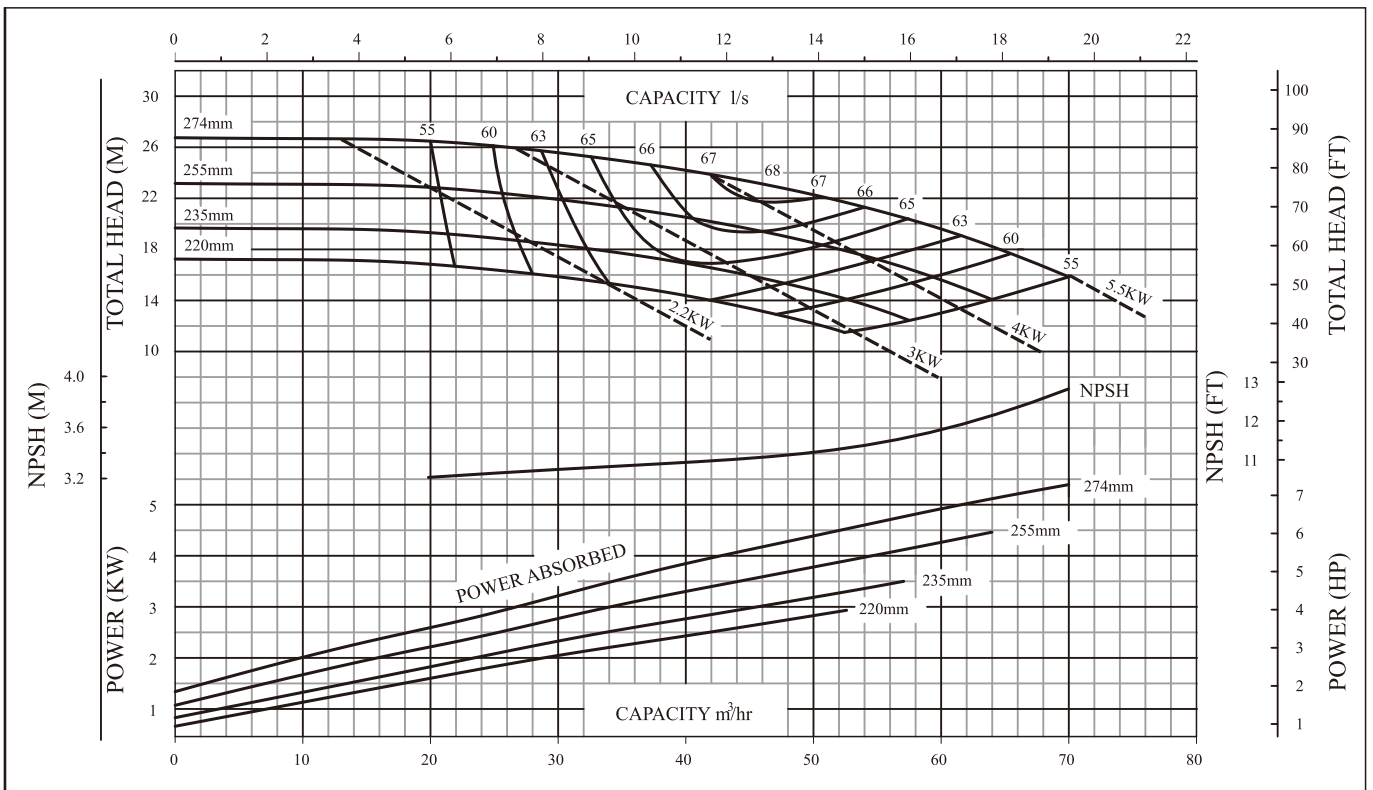


	<u>TYPE</u>	<u>SIZE</u>	<u>RPM</u>	<u>IMP.REF</u>	<u>CURVE No.</u>
	PWT	80-50-200S	1450	S	45303

# MODEL PWT End Suction Pump

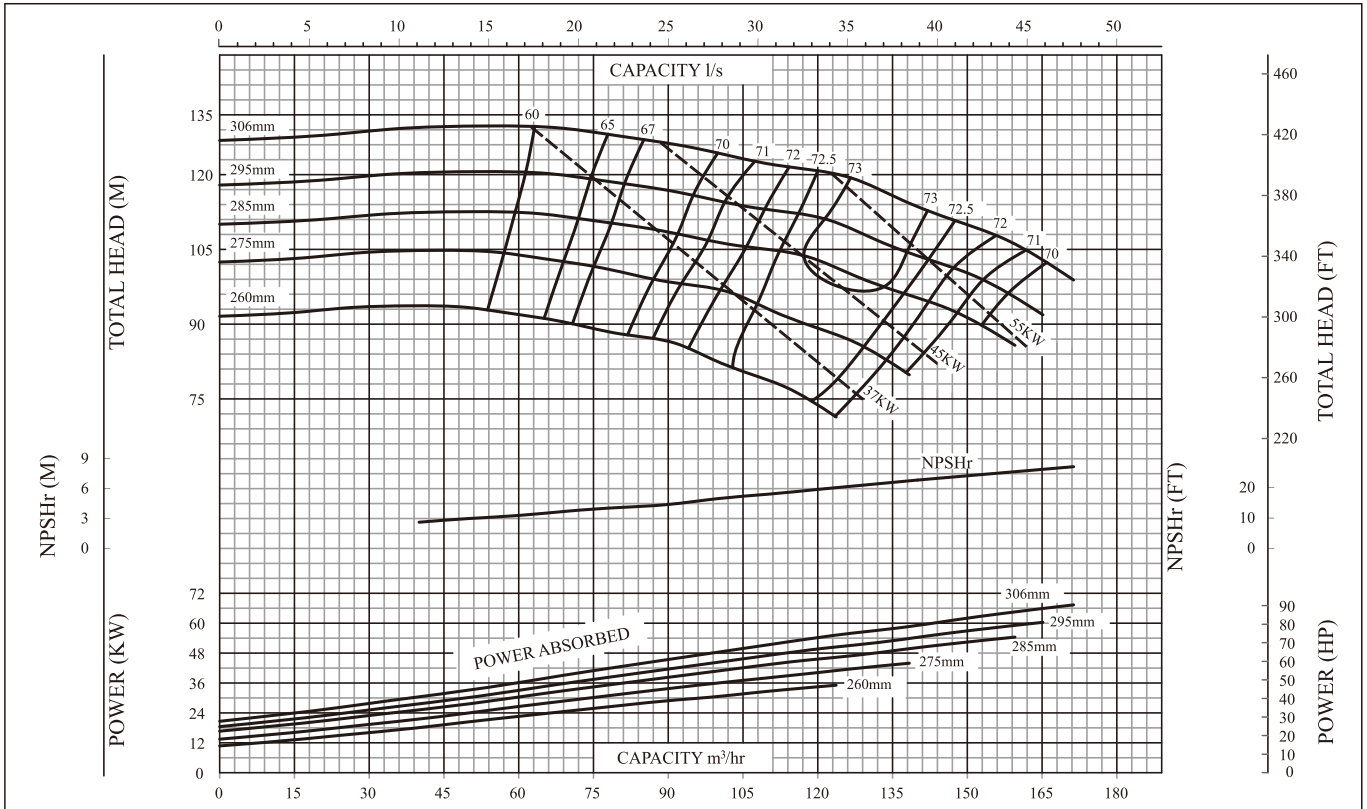


<b>PENTAIR</b>	<u>TYPE</u>	<u>SIZE</u>	<u>RPM</u>	<u>IMP.REF</u>	<u>CURVE No.</u>
	PWT	80-50-250S	2900	S	25403

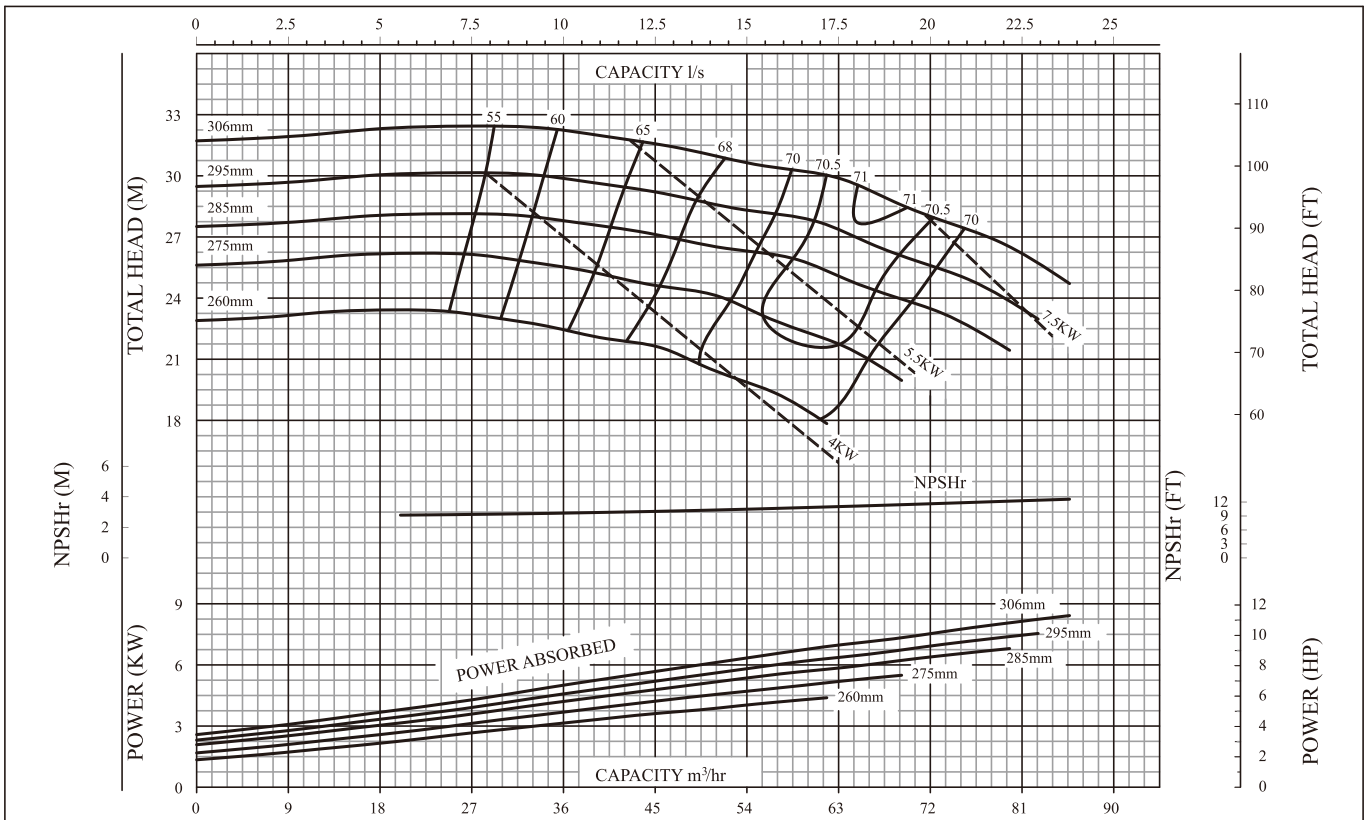


<b>PENTAIR</b>	<u>TYPE</u>	<u>SIZE</u>	<u>RPM</u>	<u>IMP.REF</u>	<u>CURVE No.</u>
	PWT	80-50-250S	1450	S	45403

# MODEL PWT End Suction Pump

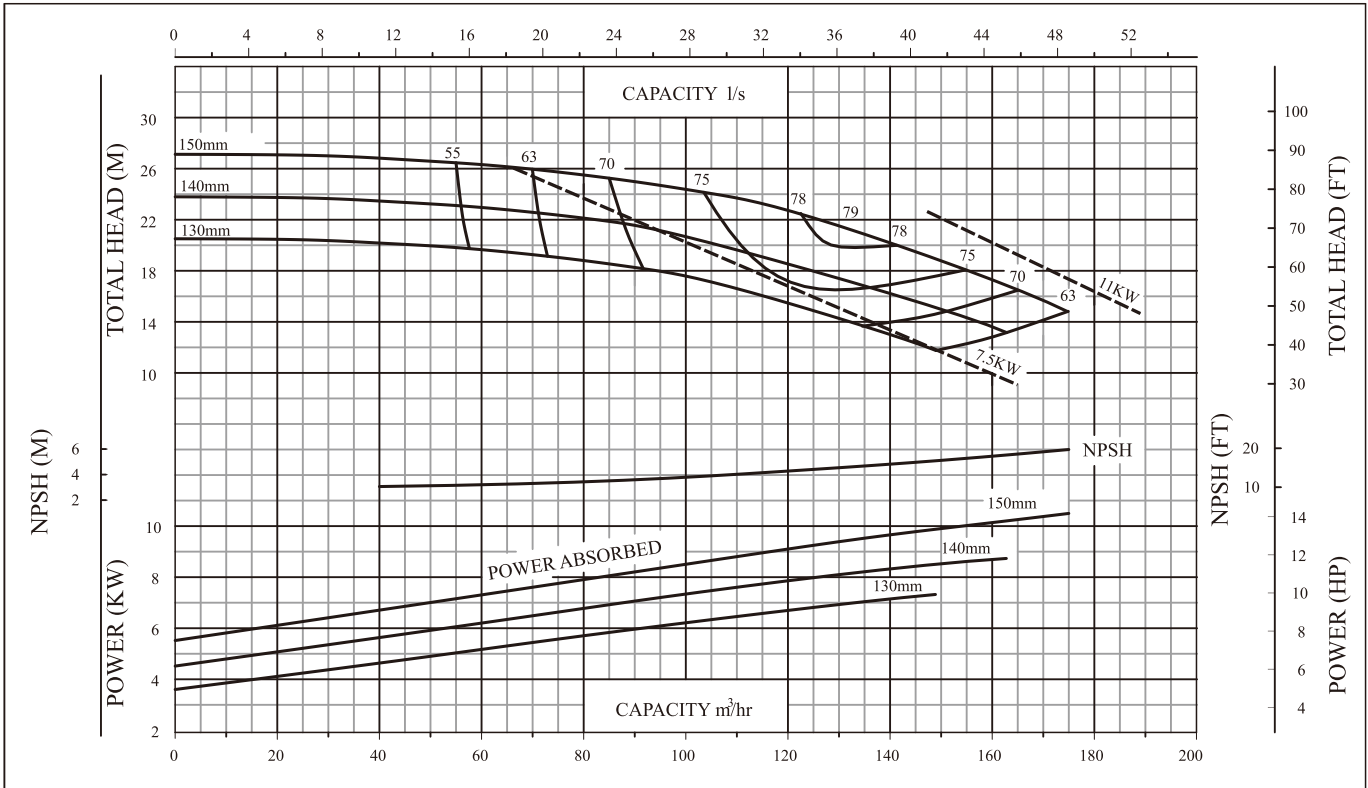


	<u>TYPE</u>	<u>SIZE</u>	<u>RPM</u>	<u>IMP.REF</u>	<u>CURVE No.</u>
	PWT	80-50-315S	2900	S	25502

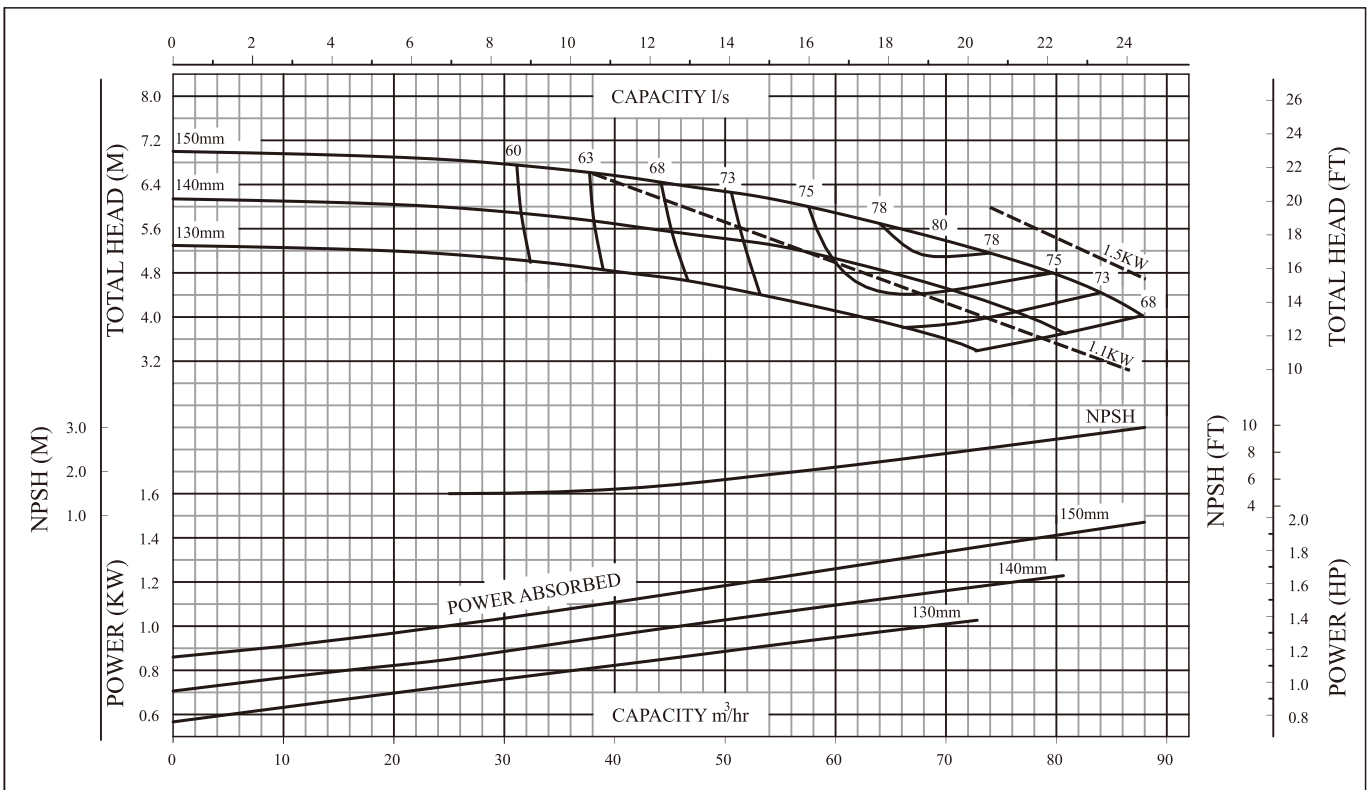


	<u>TYPE</u>	<u>SIZE</u>	<u>RPM</u>	<u>IMP.REF</u>	<u>CURVE No.</u>
	PWT	80-50-315S	1450	S	45502

# MODEL PWT End Suction Pump

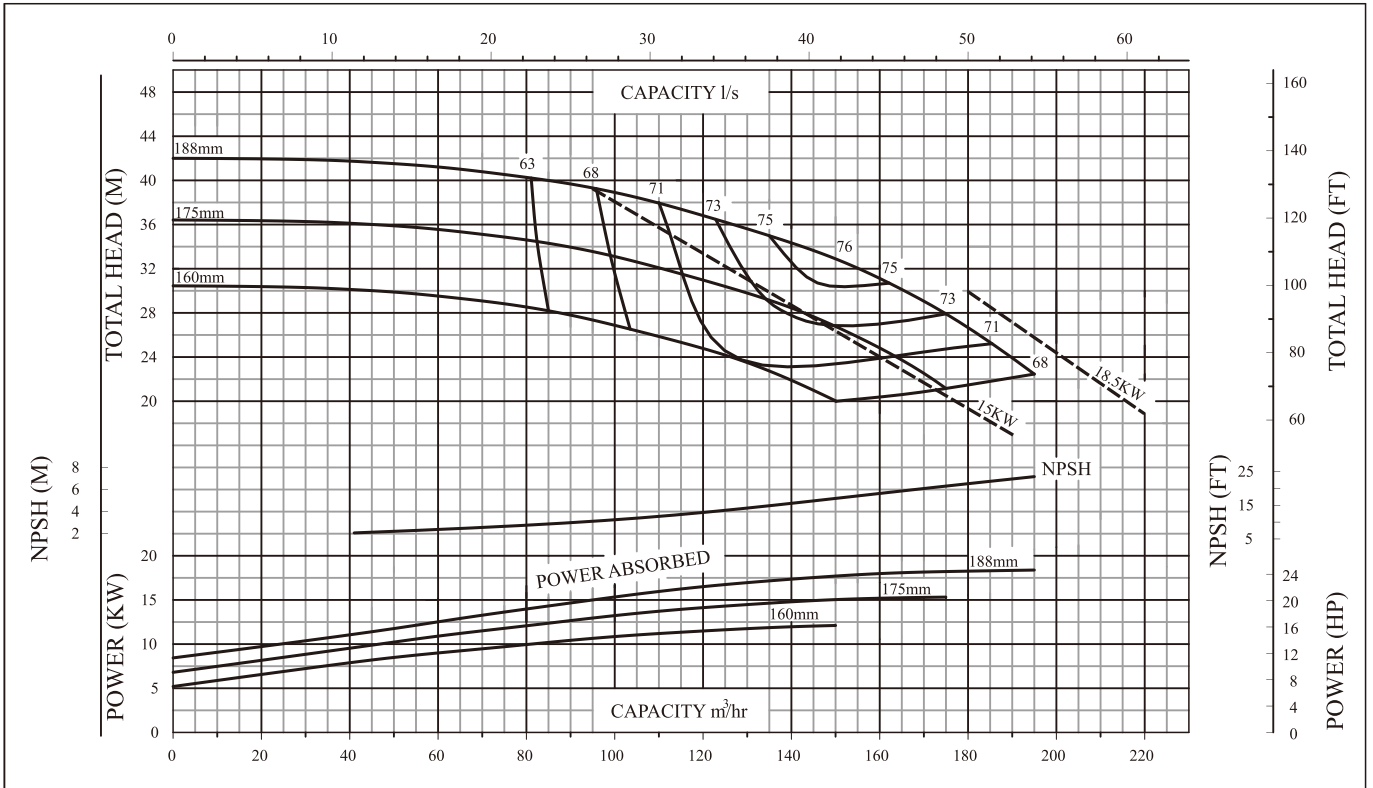


<b>PENTAIR</b>	<u>TYPE</u>	<u>SIZE</u>	<u>RPM</u>	<u>IMP.REF</u>	<u>CURVE No.</u>
	PWT	100-80-125S	2900	S	25104

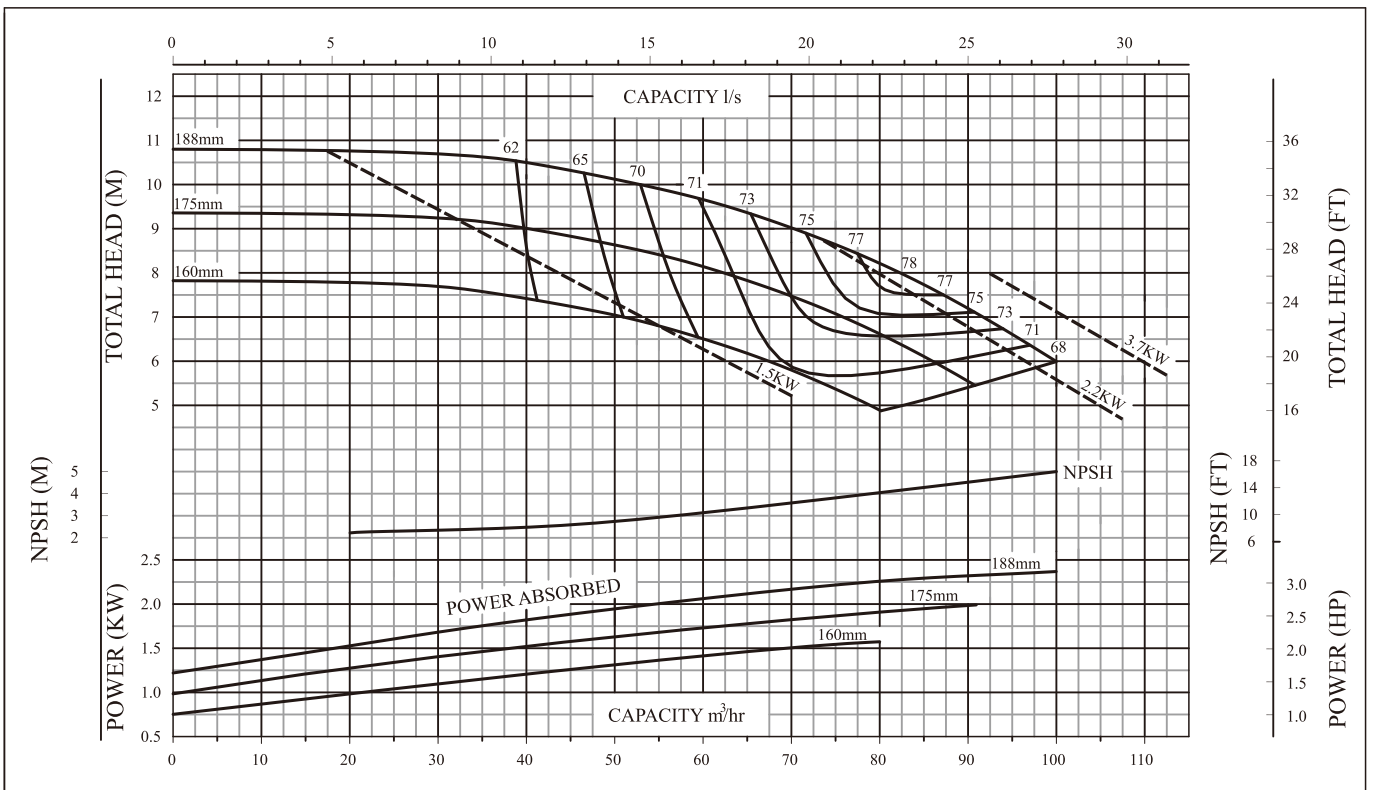


<b>PENTAIR</b>	<u>TYPE</u>	<u>SIZE</u>	<u>RPM</u>	<u>IMP.REF</u>	<u>CURVE No.</u>
	PWT	100-80-125S	1450	S	45104

# MODEL PWT End Suction Pump

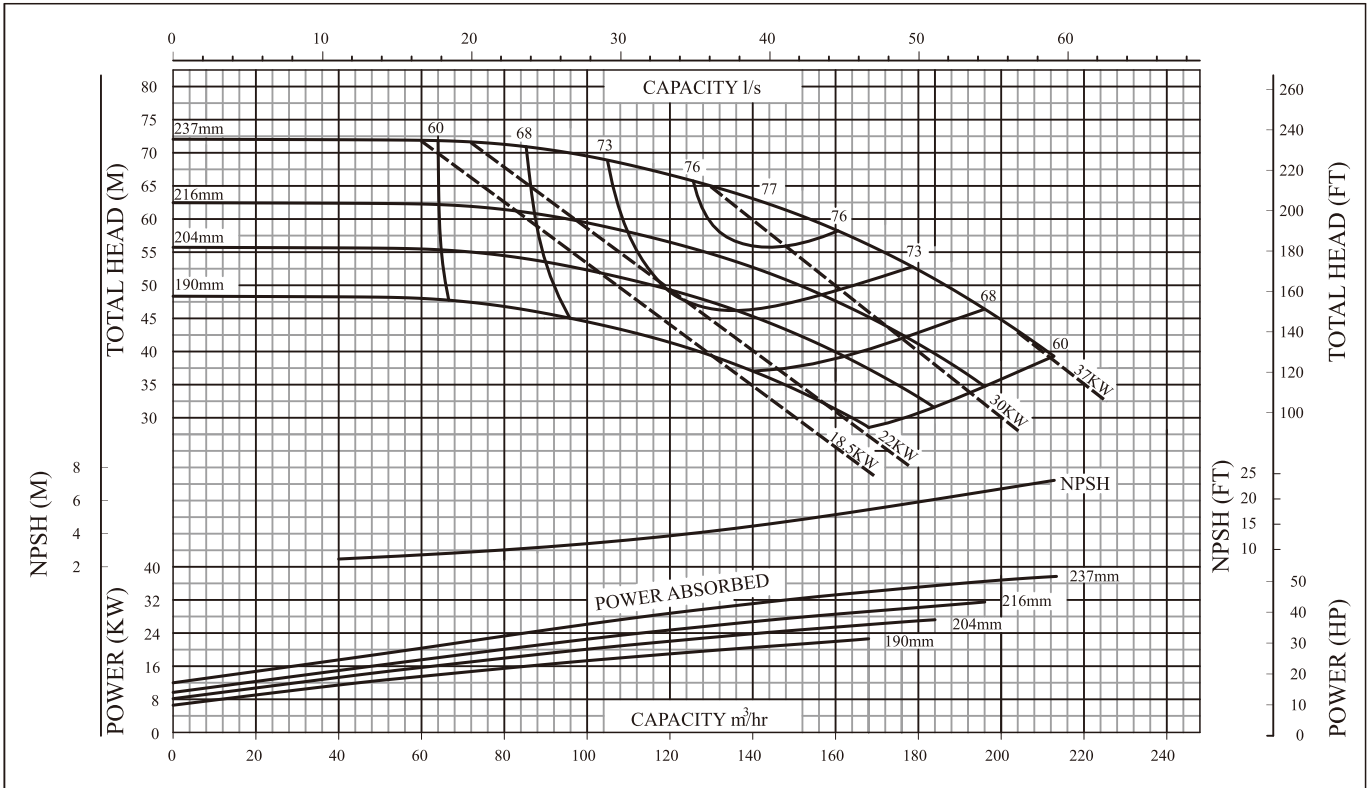


	<u>TYPE</u>	<u>SIZE</u>	<u>RPM</u>	<u>IMP.REF</u>	<u>CURVE No.</u>
	PWT	100-80-160S	2900	S	25204

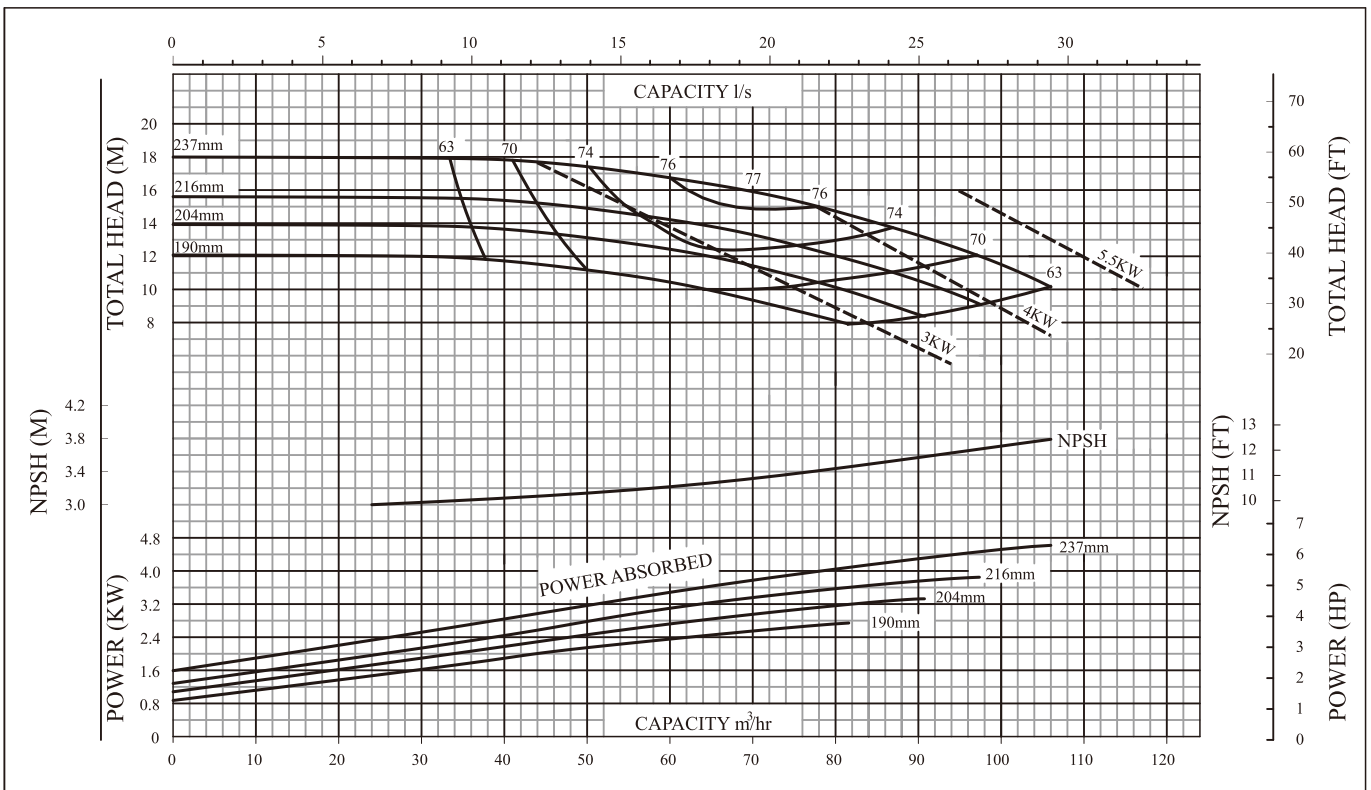


	<u>TYPE</u>	<u>SIZE</u>	<u>RPM</u>	<u>IMP.REF</u>	<u>CURVE No.</u>
	PWT	100-80-160S	1450	S	45204

# MODEL PWT End Suction Pump



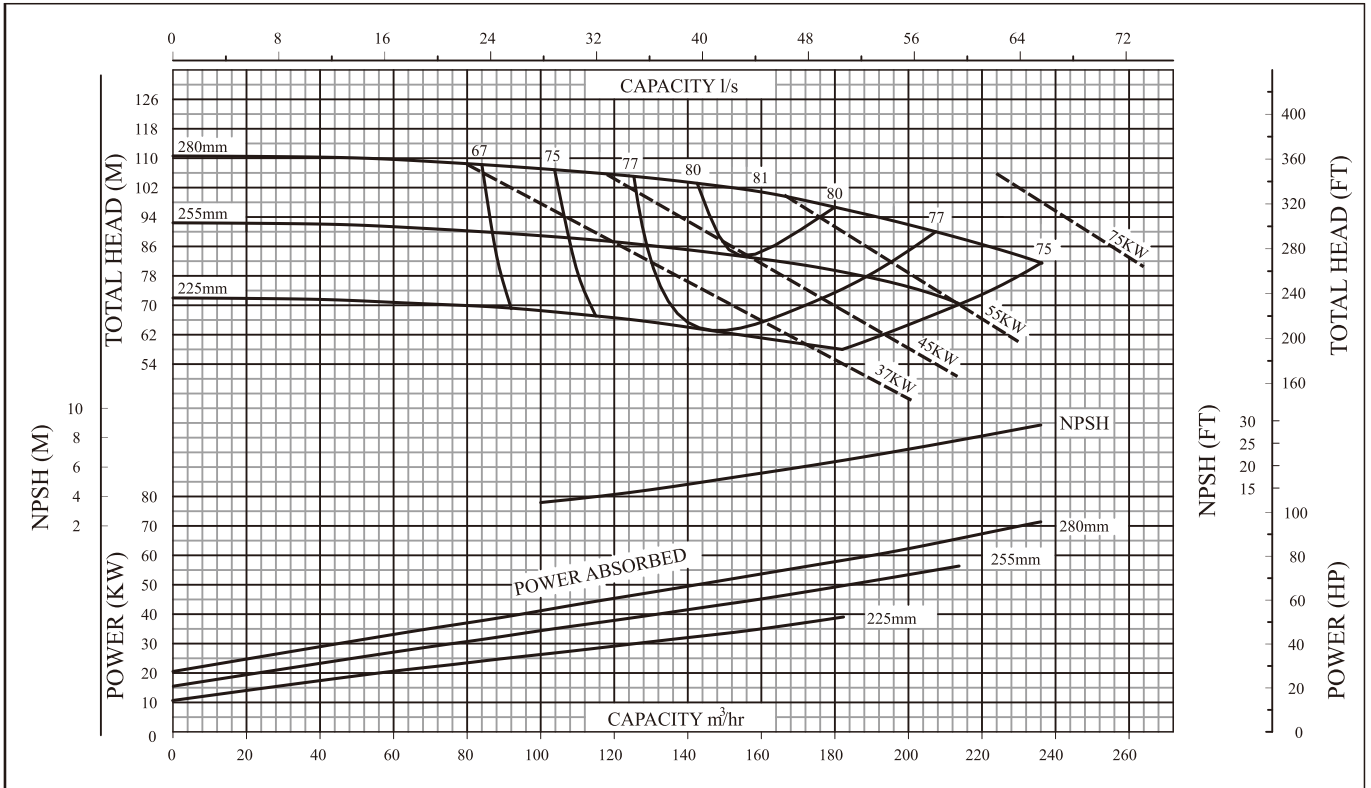
	<u>TYPE</u>	<u>SIZE</u>	<u>RPM</u>	<u>IMP.REF</u>	<u>CURVE No.</u>
	PWT	100-65-200S	2900	S	52304



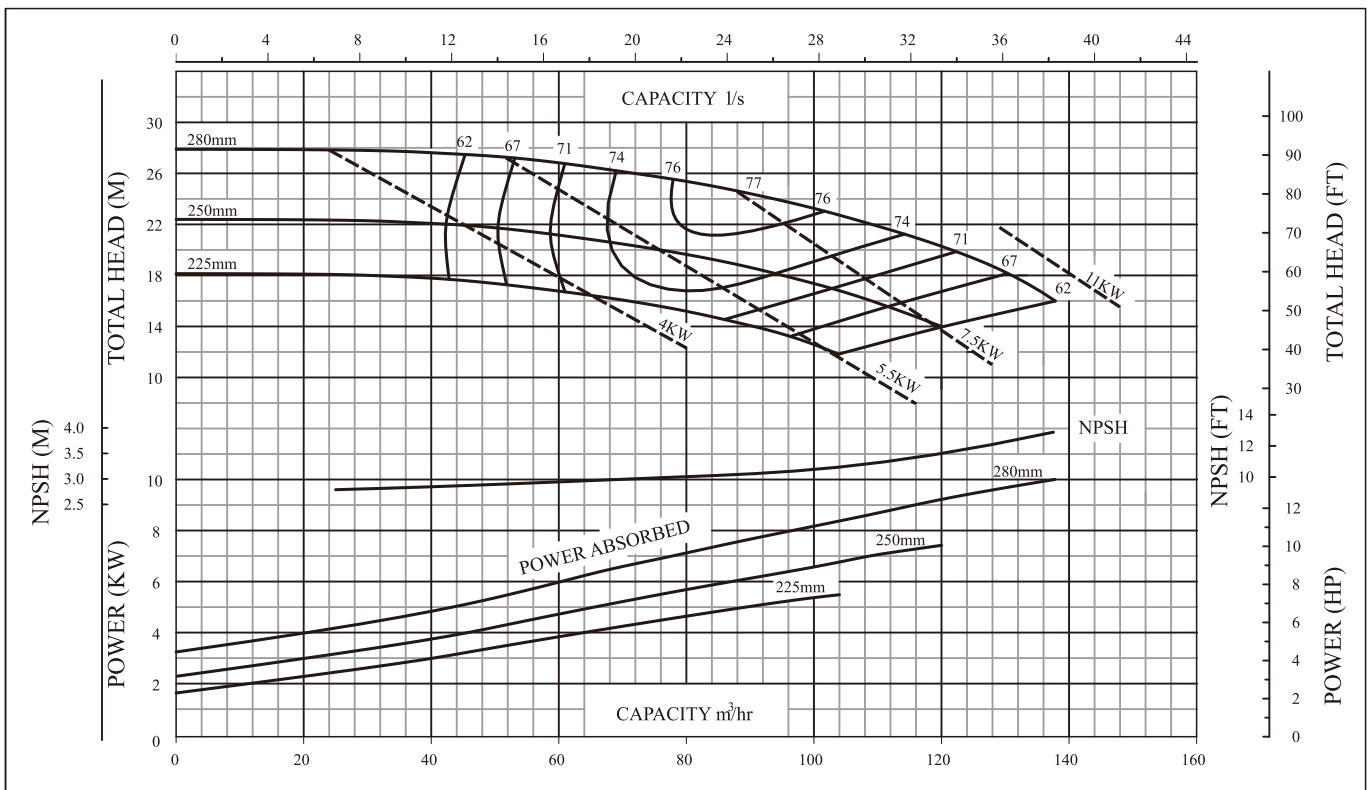
	<u>TYPE</u>	<u>SIZE</u>	<u>RPM</u>	<u>IMP.REF</u>	<u>CURVE No.</u>
	PWT	100-65-200S	1450	S	45304



# MODEL PWT End Suction Pump

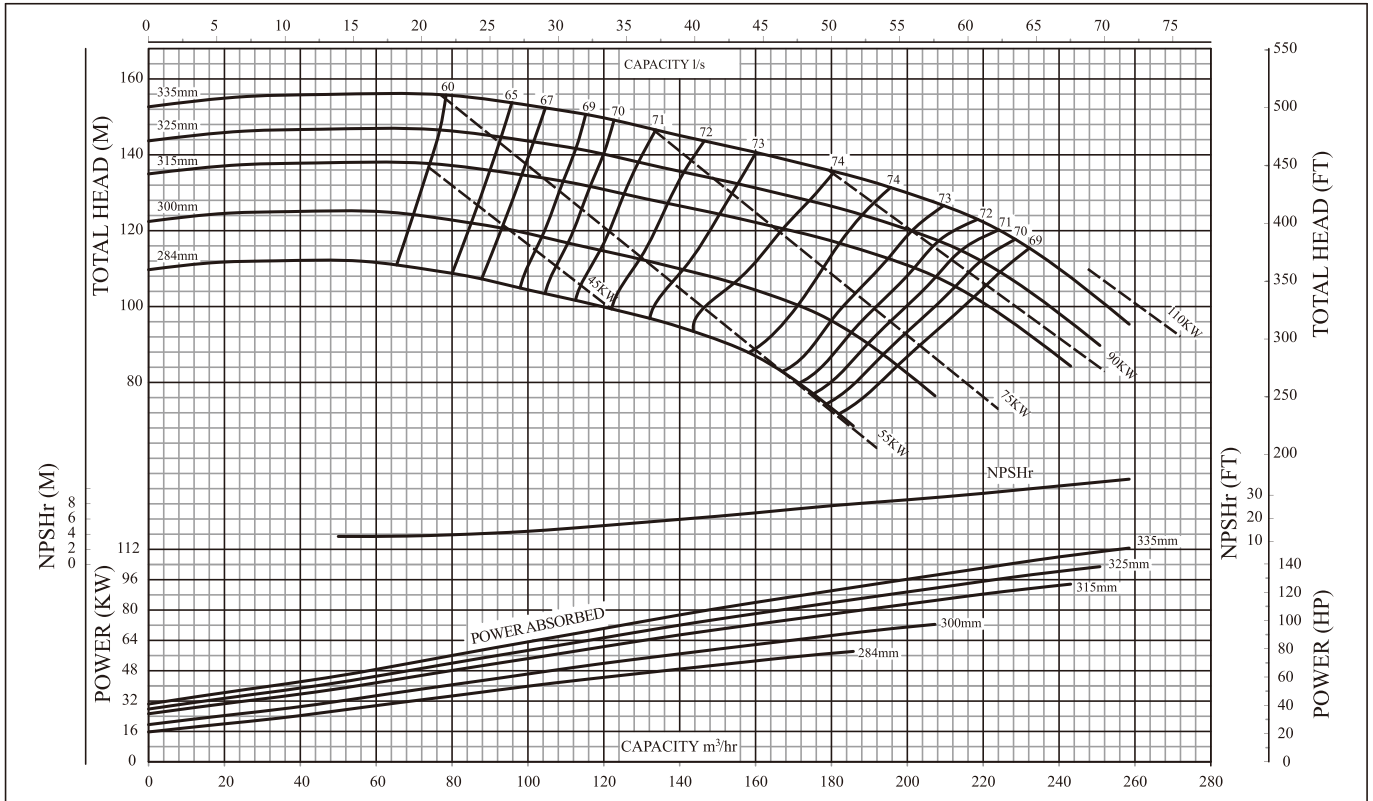


	<u>TYPE</u>	<u>SIZE</u>	<u>RPM</u>	<u>IMP.REF</u>	<u>CURVE No.</u>
	PWT	100-65-250S	2900	S	25404

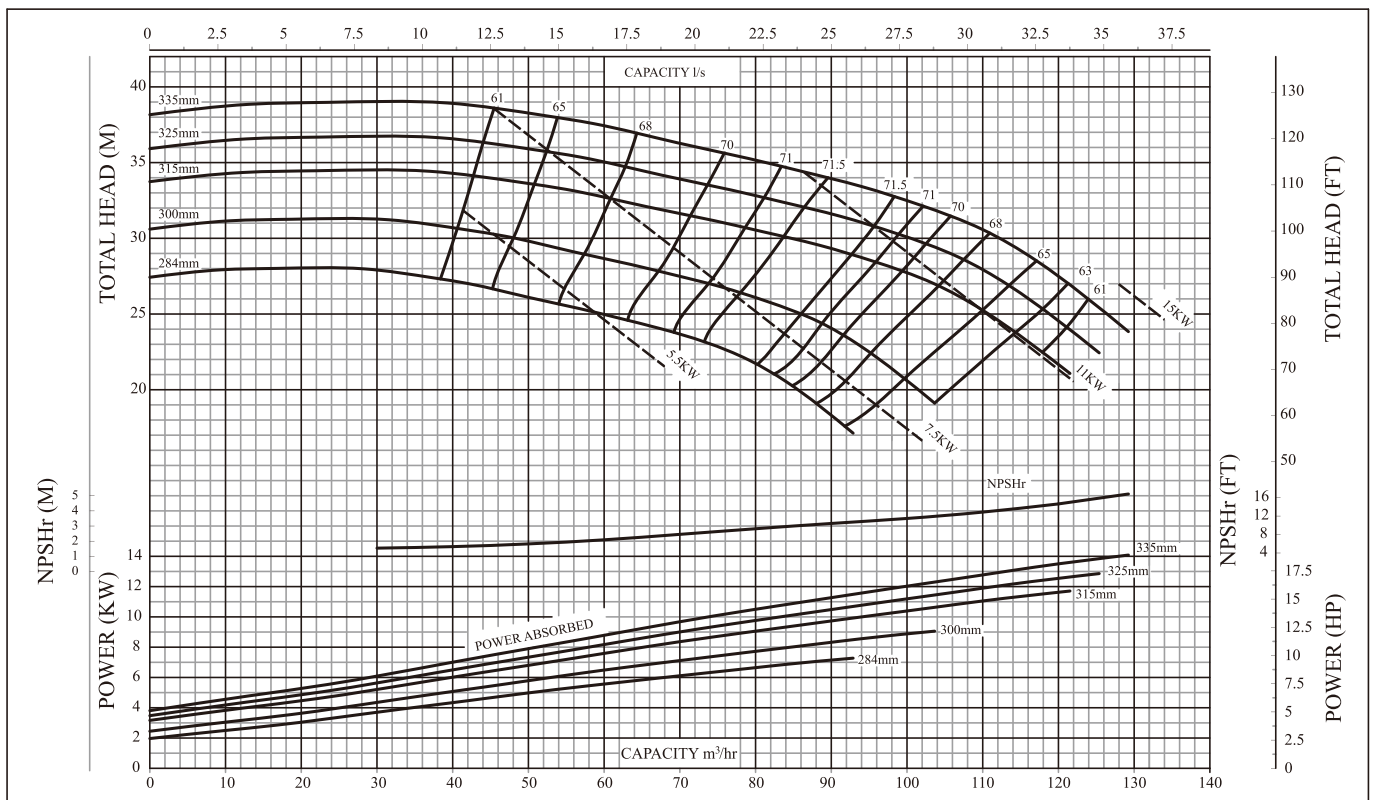


	<u>TYPE</u>	<u>SIZE</u>	<u>RPM</u>	<u>IMP.REF</u>	<u>CURVE No.</u>
	PWT	100-65-250S	1450	S	45404

# MODEL PWT End Suction Pump

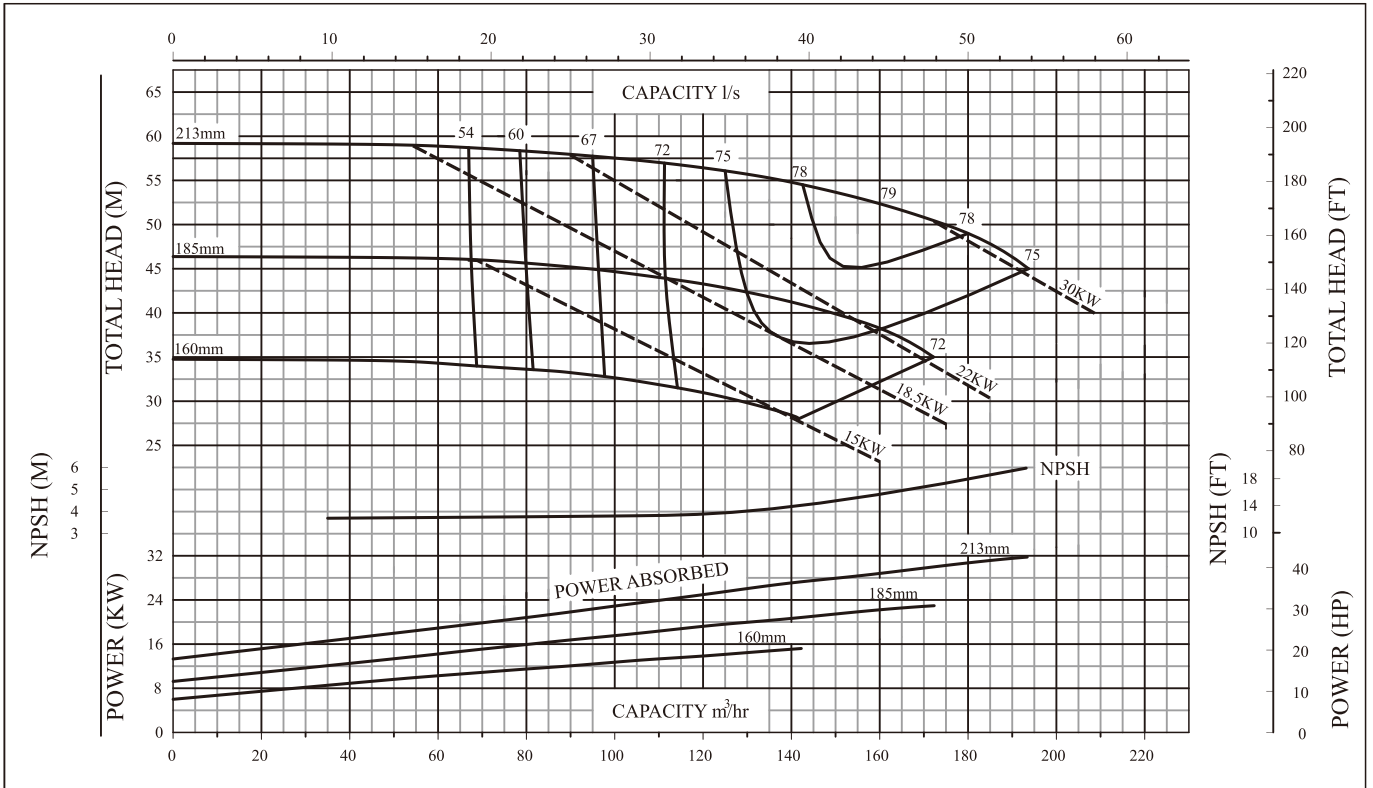


	<u>TYPE</u>	<u>SIZE</u>	<u>RPM</u>	<u>IMP.REF</u>	<u>CURVE No.</u>
	PWT	100-65-315S	2900	S	25503

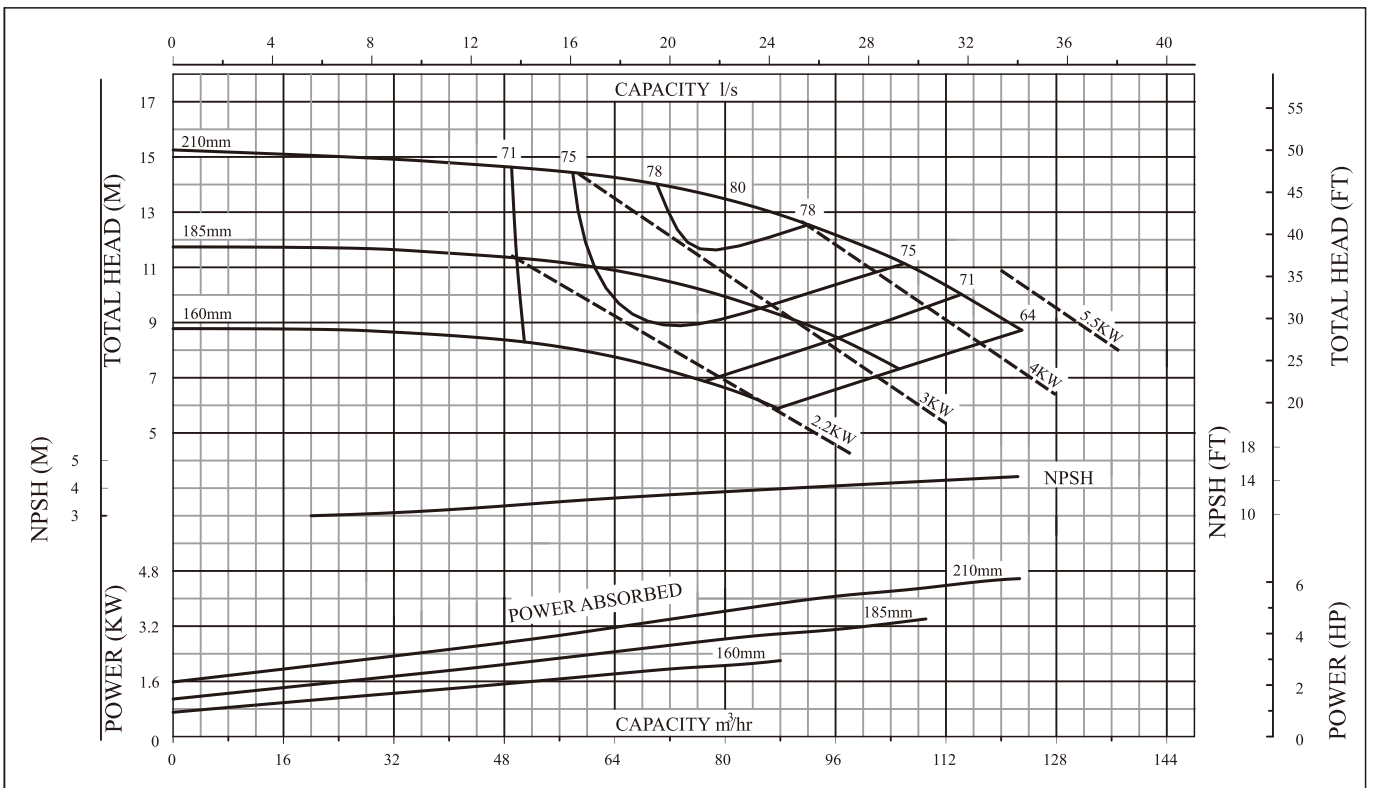


	<u>TYPE</u>	<u>SIZE</u>	<u>RPM</u>	<u>IMP.REF</u>	<u>CURVE No.</u>
	PWT	100-65-315S	1450	S	45503

# MODEL PWT End Suction Pump

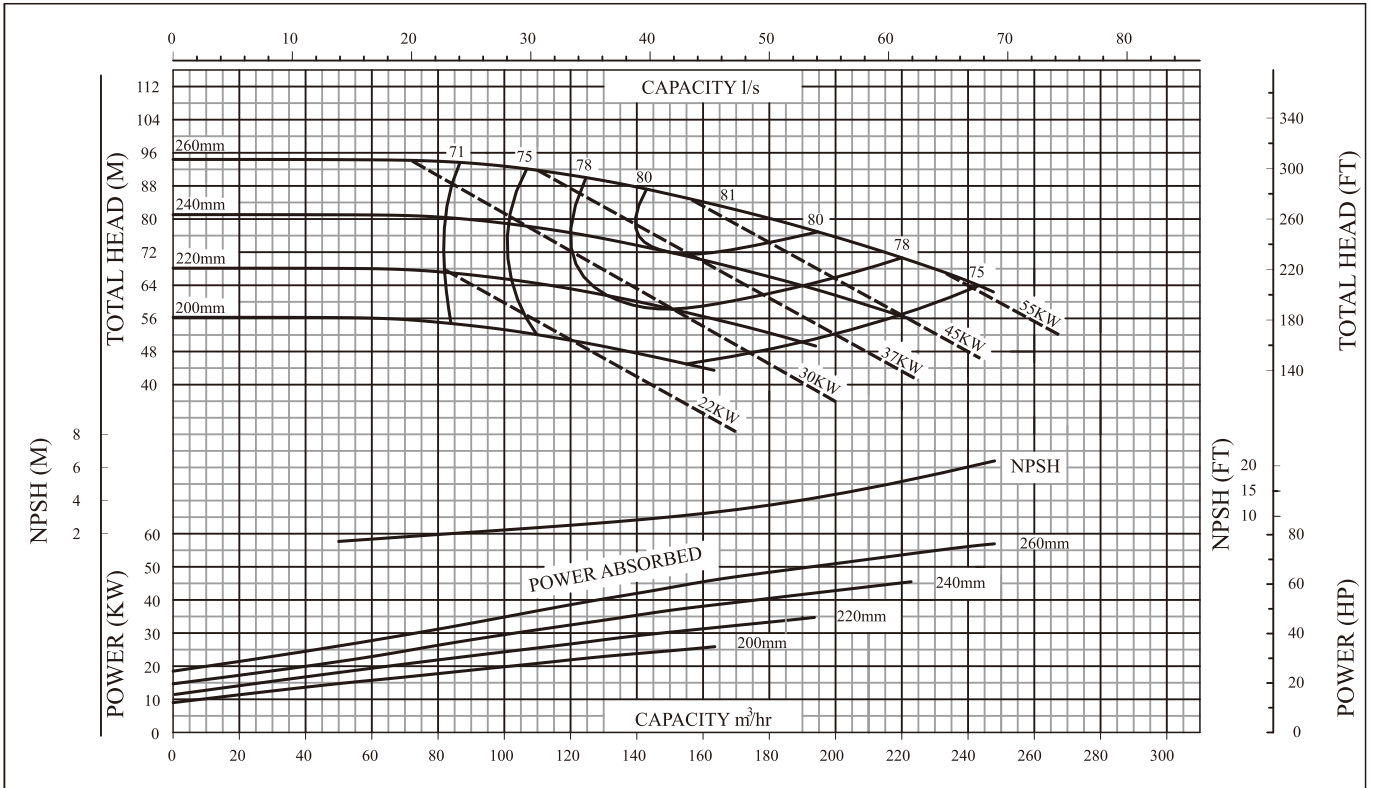


	<u>TYPE</u>	<u>SIZE</u>	<u>RPM</u>	<u>IMP.REF</u>	<u>CURVE No.</u>
	PWT	125-80-200S	2900	S	25306

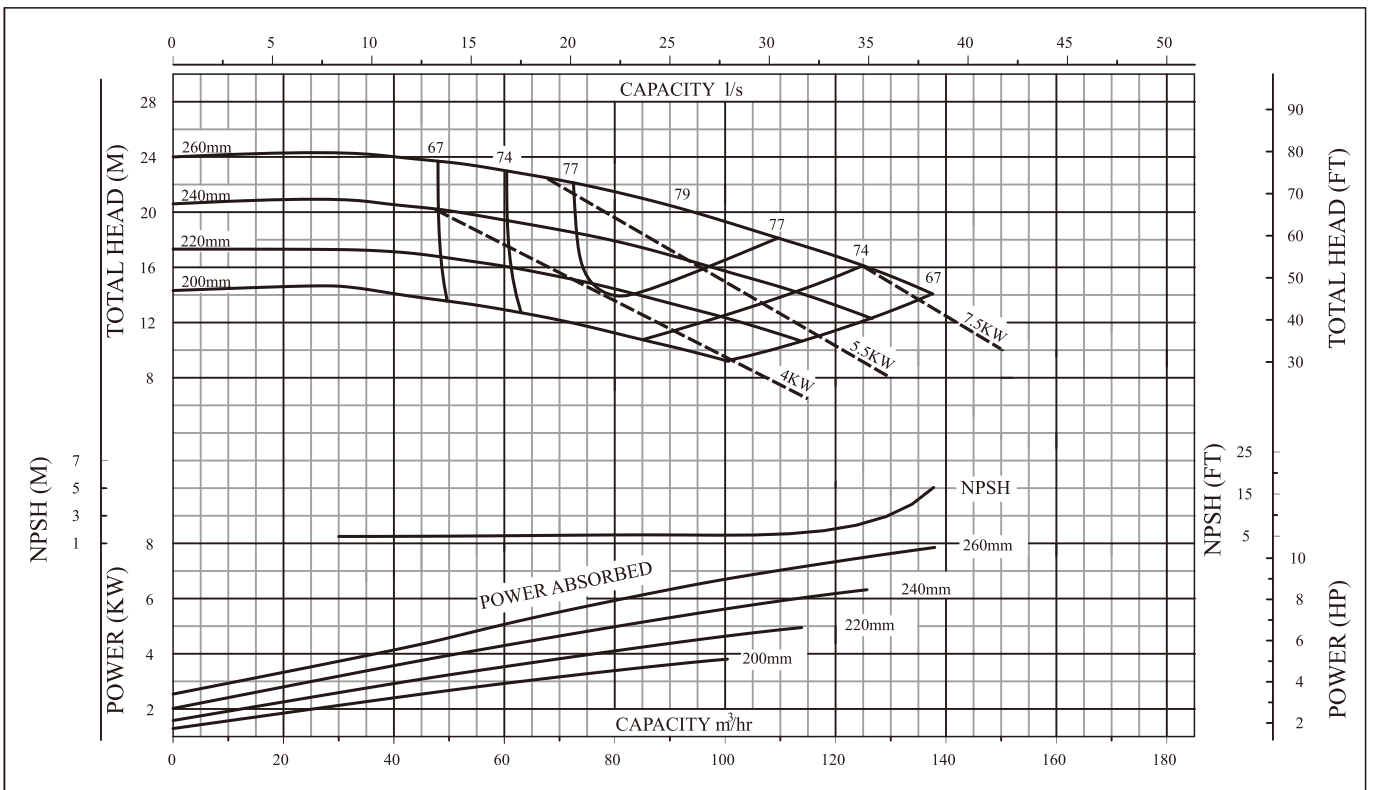


	<u>TYPE</u>	<u>SIZE</u>	<u>RPM</u>	<u>IMP.REF</u>	<u>CURVE No.</u>
	PWT	125-80-200S	1450	S	45306

# MODEL PWT End Suction Pump

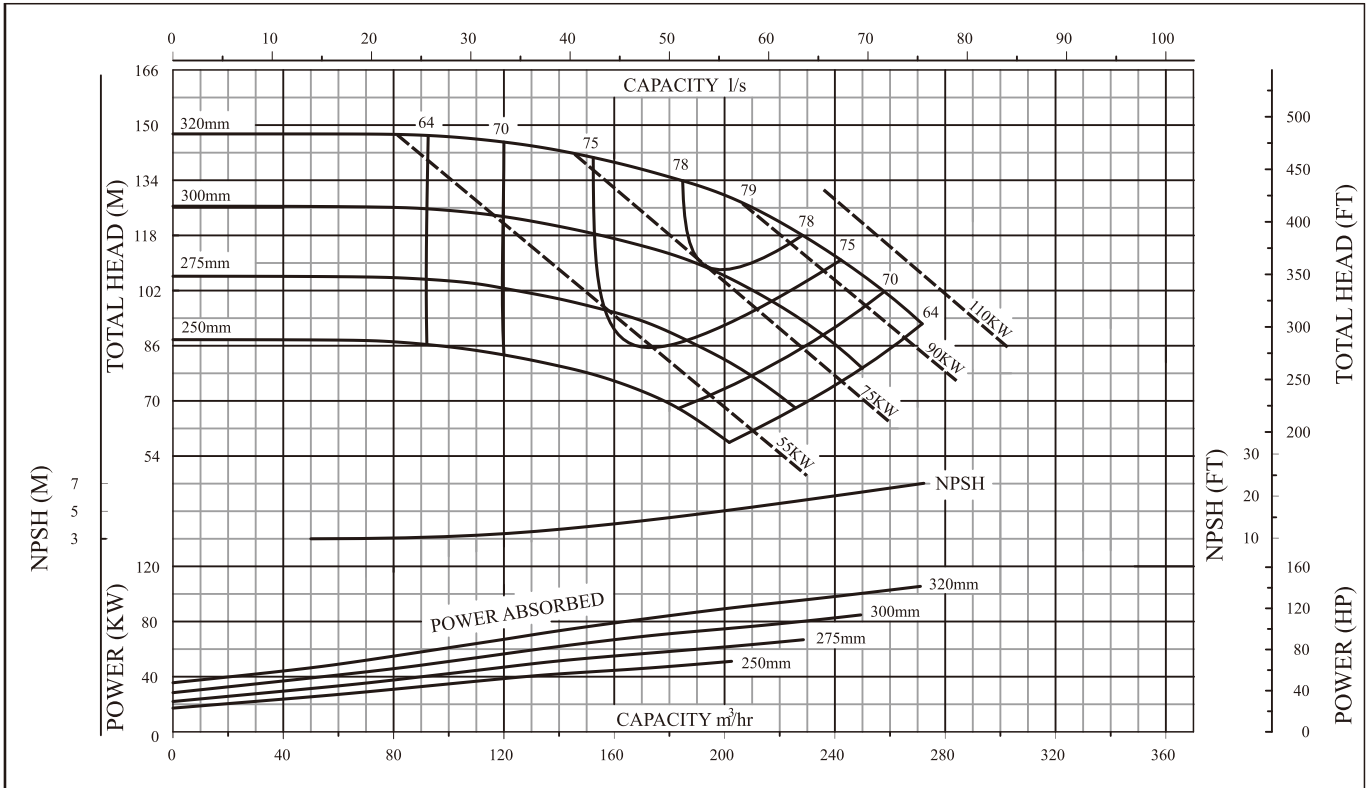


	<u>TYPE</u>	<u>SIZE</u>	<u>RPM</u>	<u>IMP.REF</u>	<u>CURVE No.</u>
	PWT	125-80-250S	2900	S	25406

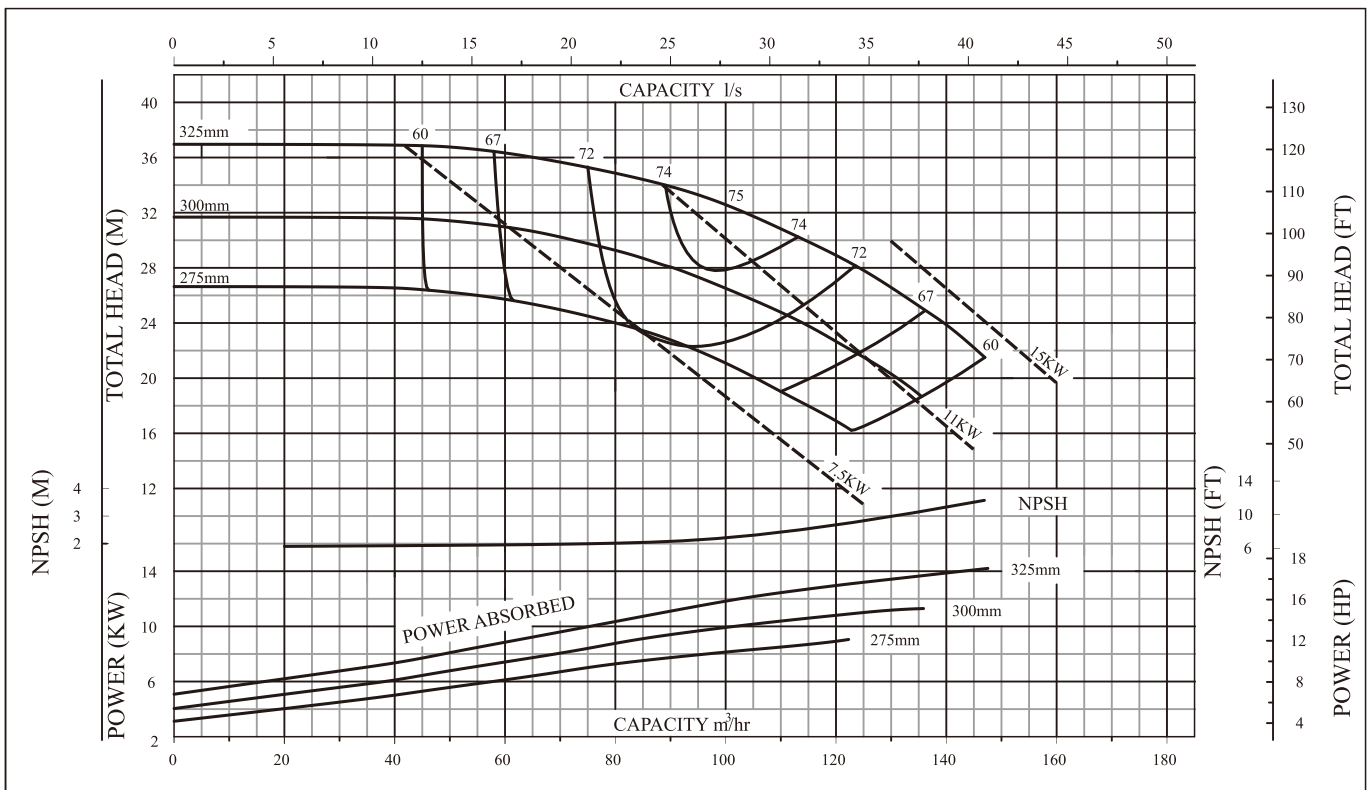


	<u>TYPE</u>	<u>SIZE</u>	<u>RPM</u>	<u>IMP.REF</u>	<u>CURVE No.</u>
	PWT	125-80-250S	1450	S	45409

# MODEL PWT End Suction Pump

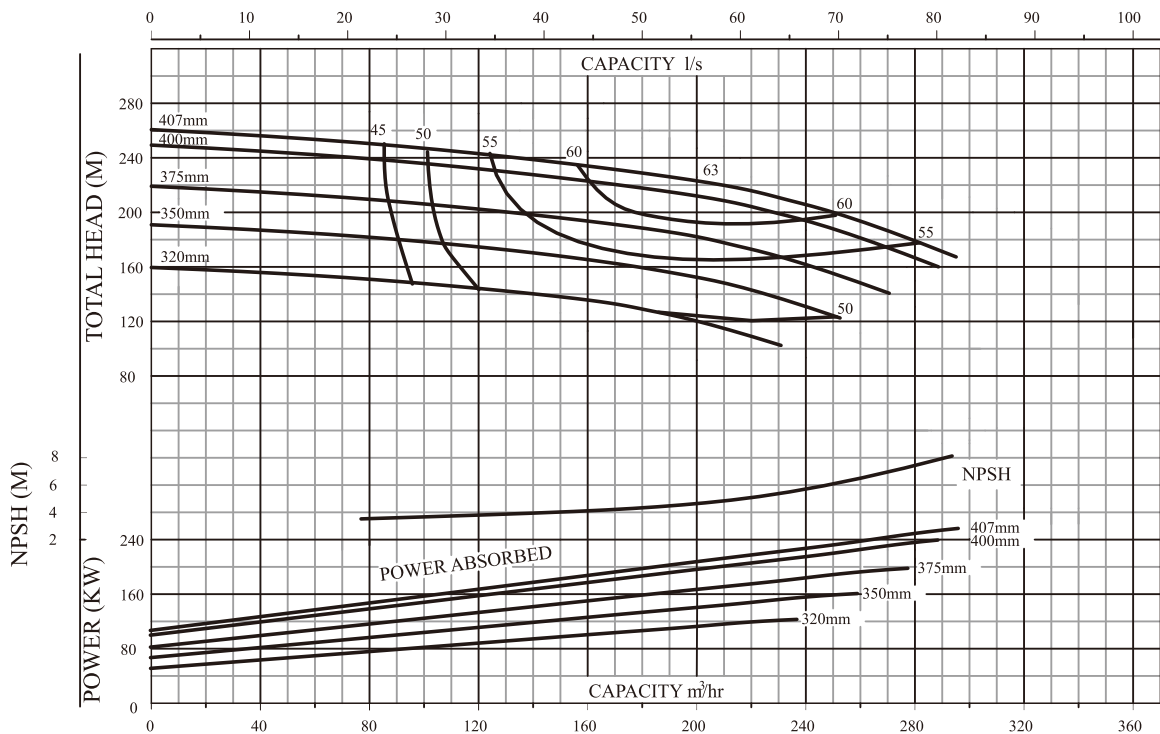


	<u>TYPE</u>	<u>SIZE</u>	<u>RPM</u>	<u>IMP.REF</u>	<u>CURVE No.</u>
	PWT	125-80-315S	2900	S	25504



	<u>TYPE</u>	<u>SIZE</u>	<u>RPM</u>	<u>IMP.REF</u>	<u>CURVE No.</u>
	PWT	125-80-315S	1450	S	45504

# MODEL PWT End Suction Pump



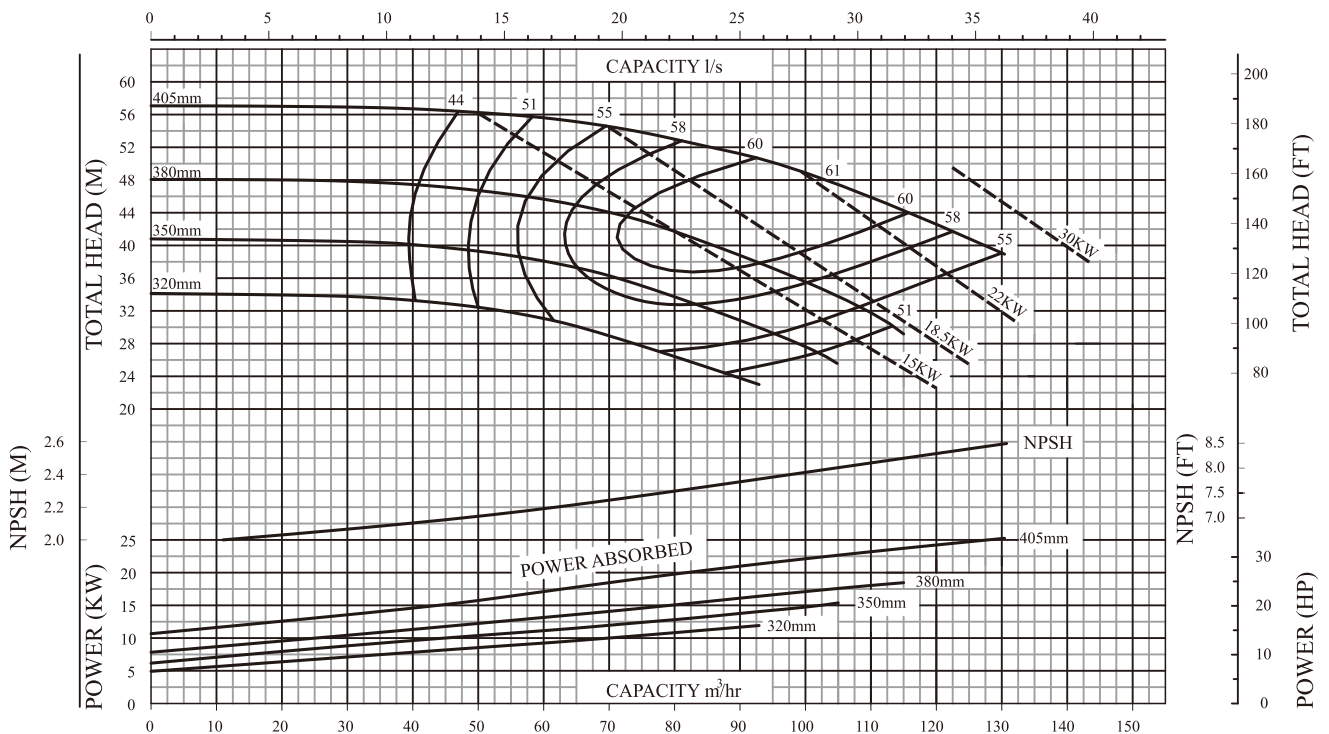
**TYPE**  
PWT

**SIZE**  
125-80-400DS

**RPM**  
2980

**IMP.REF**  
S

**CURVE No.**  
25601



**TYPE**  
PWT

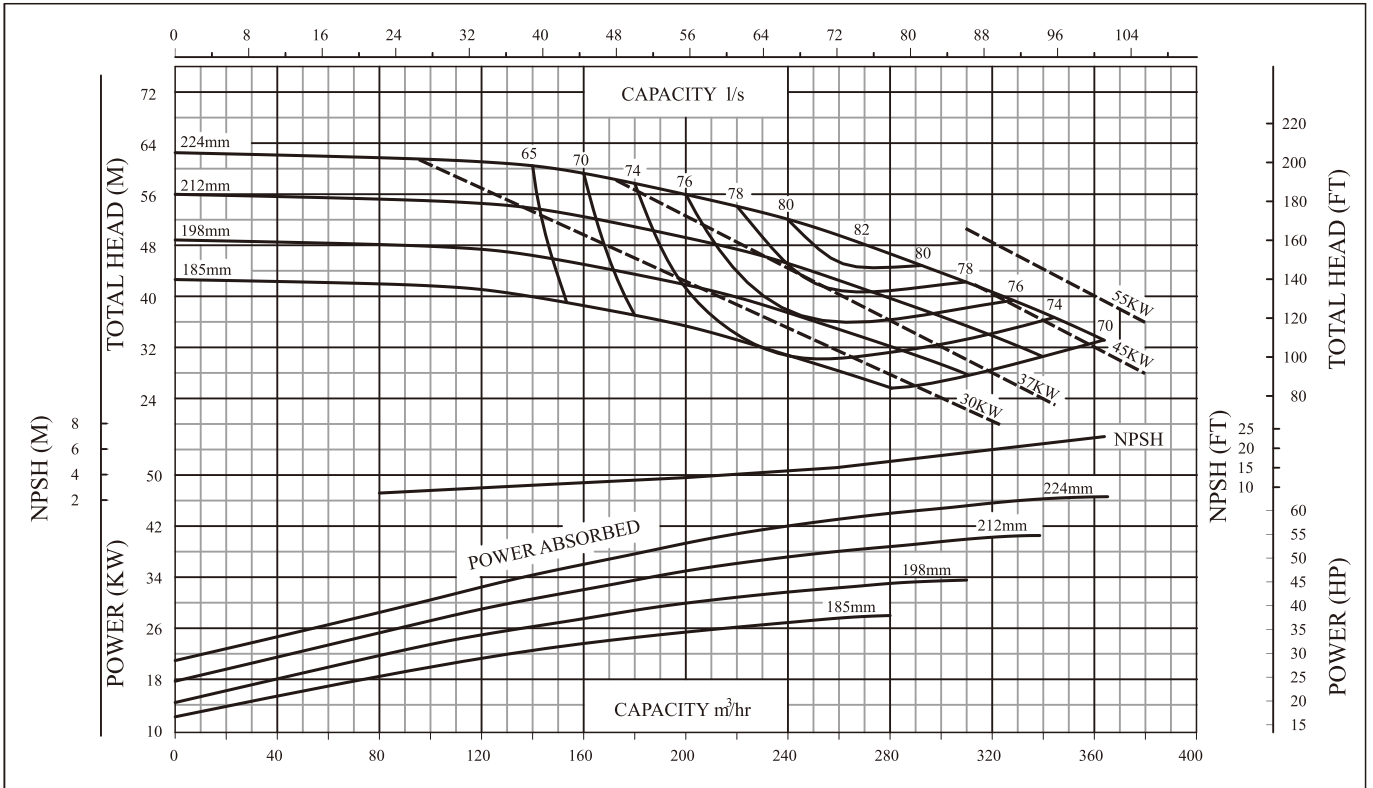
**SIZE**  
125-80-400DS

**RPM**  
1450

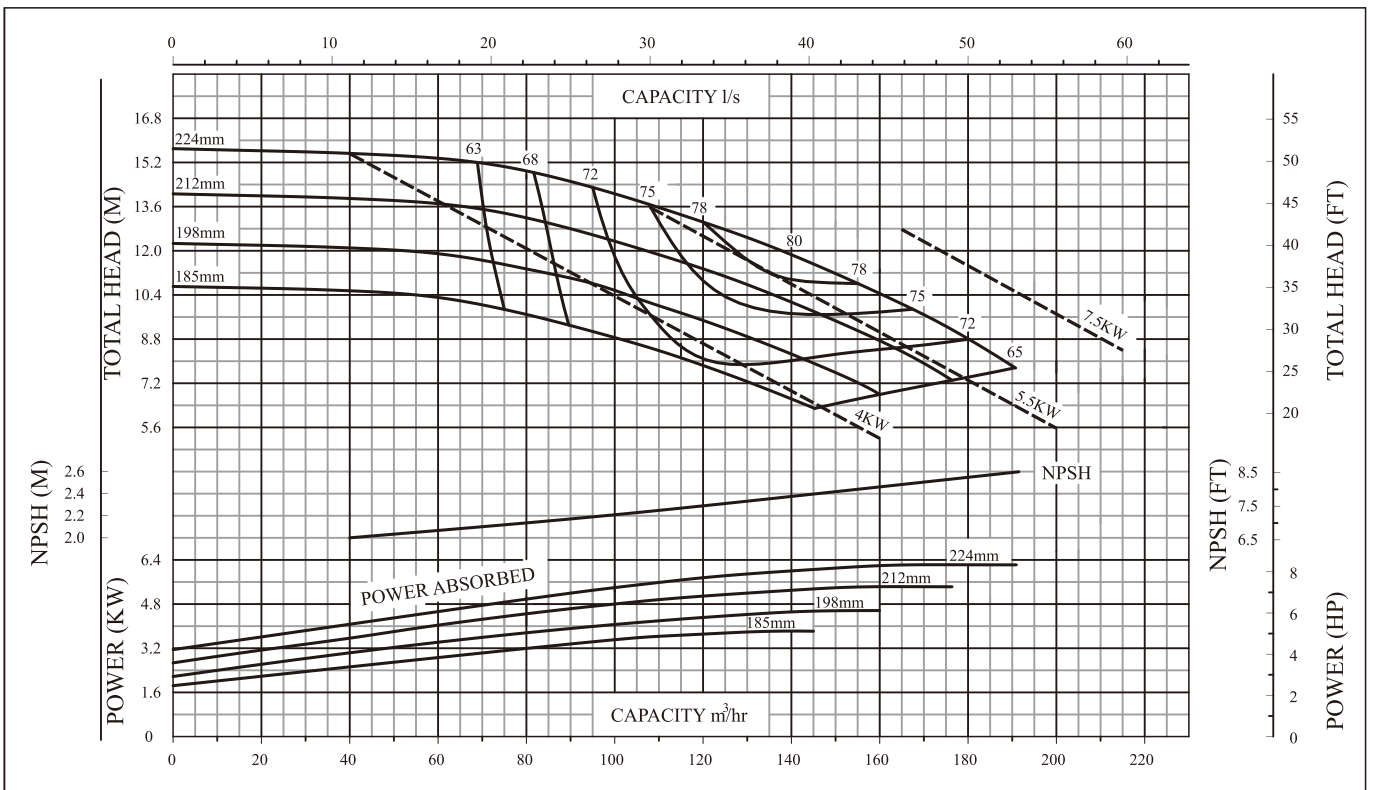
**IMP.REF**  
S

**CURVE No.**  
45601

# MODEL PWT End Suction Pump

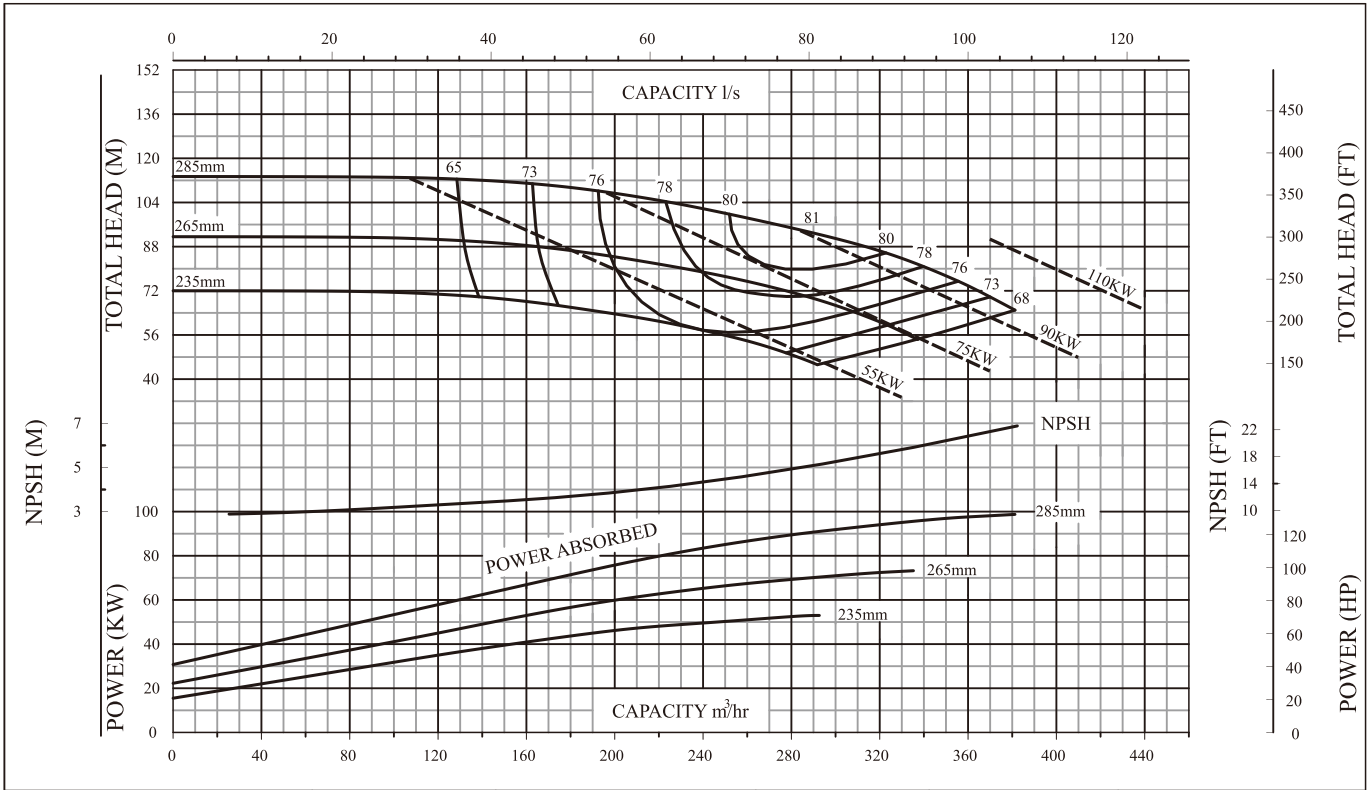


	<u>TYPE</u>	<u>SIZE</u>	<u>RPM</u>	<u>IMP.REF</u>	<u>CURVE No.</u>
	PWT	125-100-200S	2900	S	25305

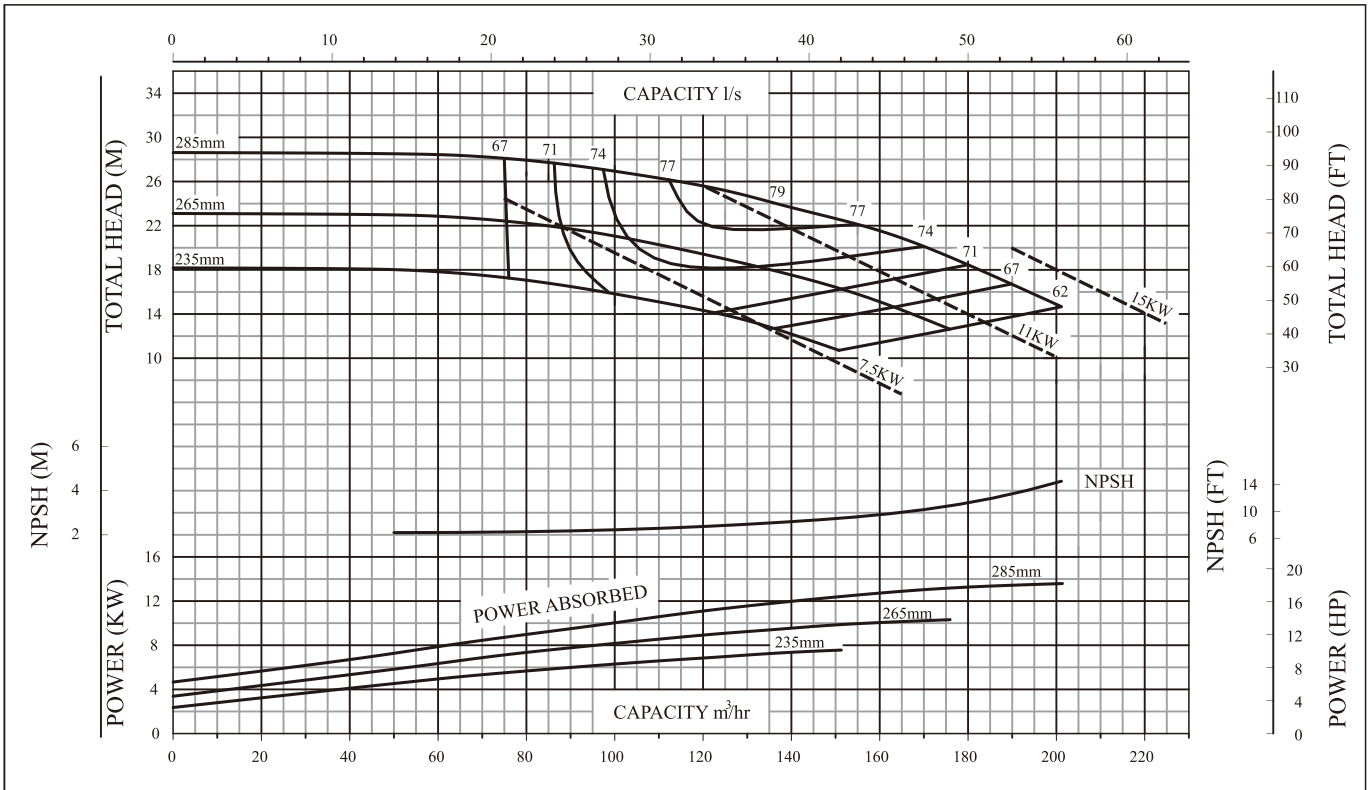


	<u>TYPE</u>	<u>SIZE</u>	<u>RPM</u>	<u>IMP.REF</u>	<u>CURVE No.</u>
	PWT	125-100-200S	1450	S	45305

# MODEL PWT End Suction Pump



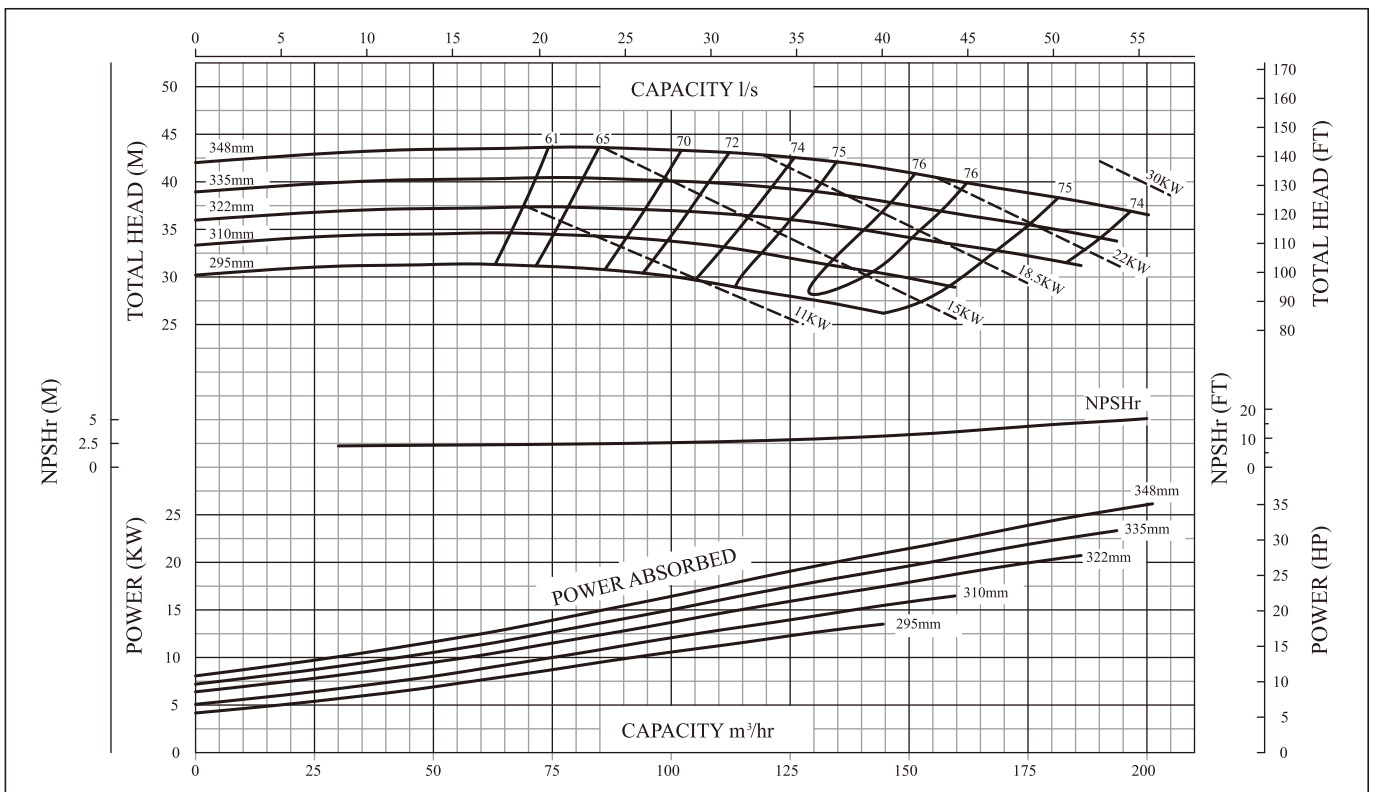
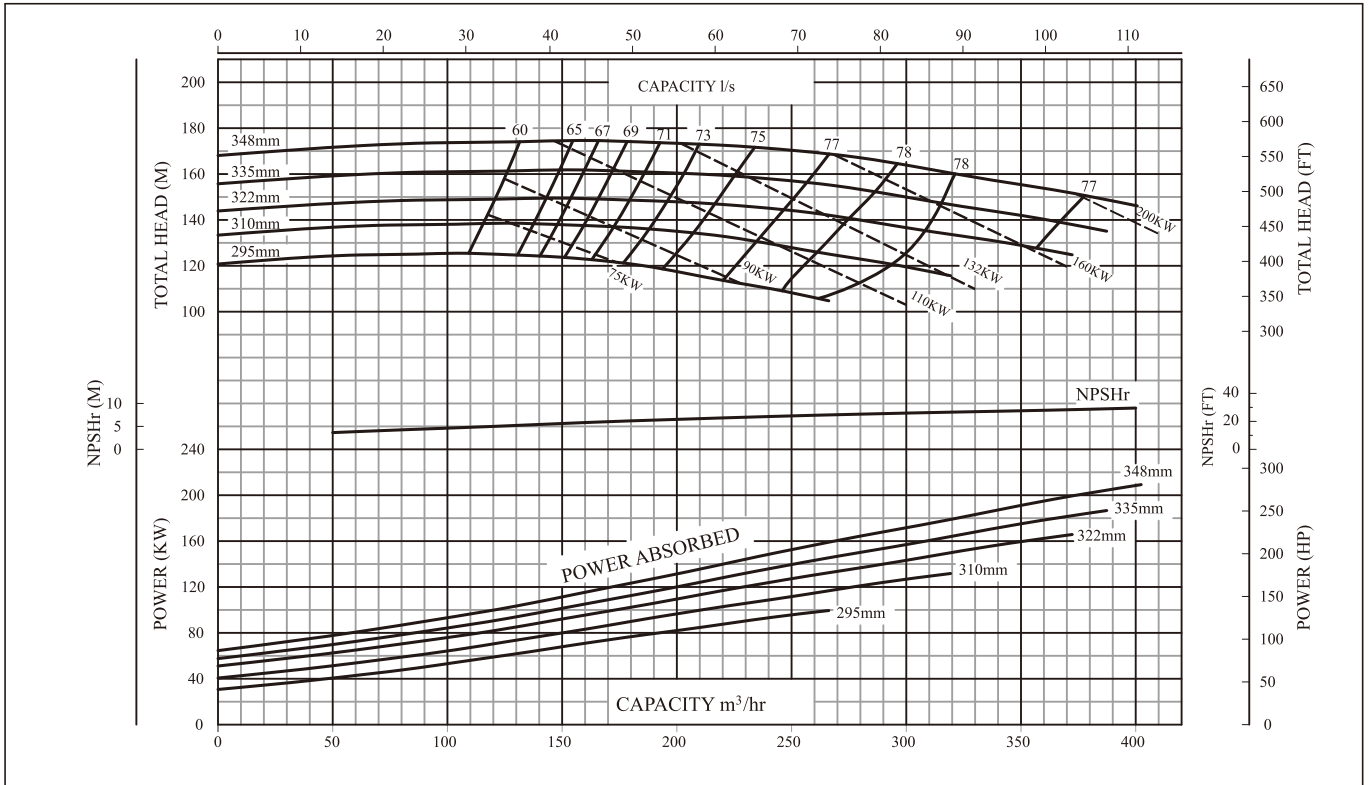
<b>PENTAIR</b>	<u>TYPE</u>	<u>SIZE</u>	<u>RPM</u>	<u>IMP.REF</u>	<u>CURVE No.</u>
	PWT	125-100-250S	2900	S	25405



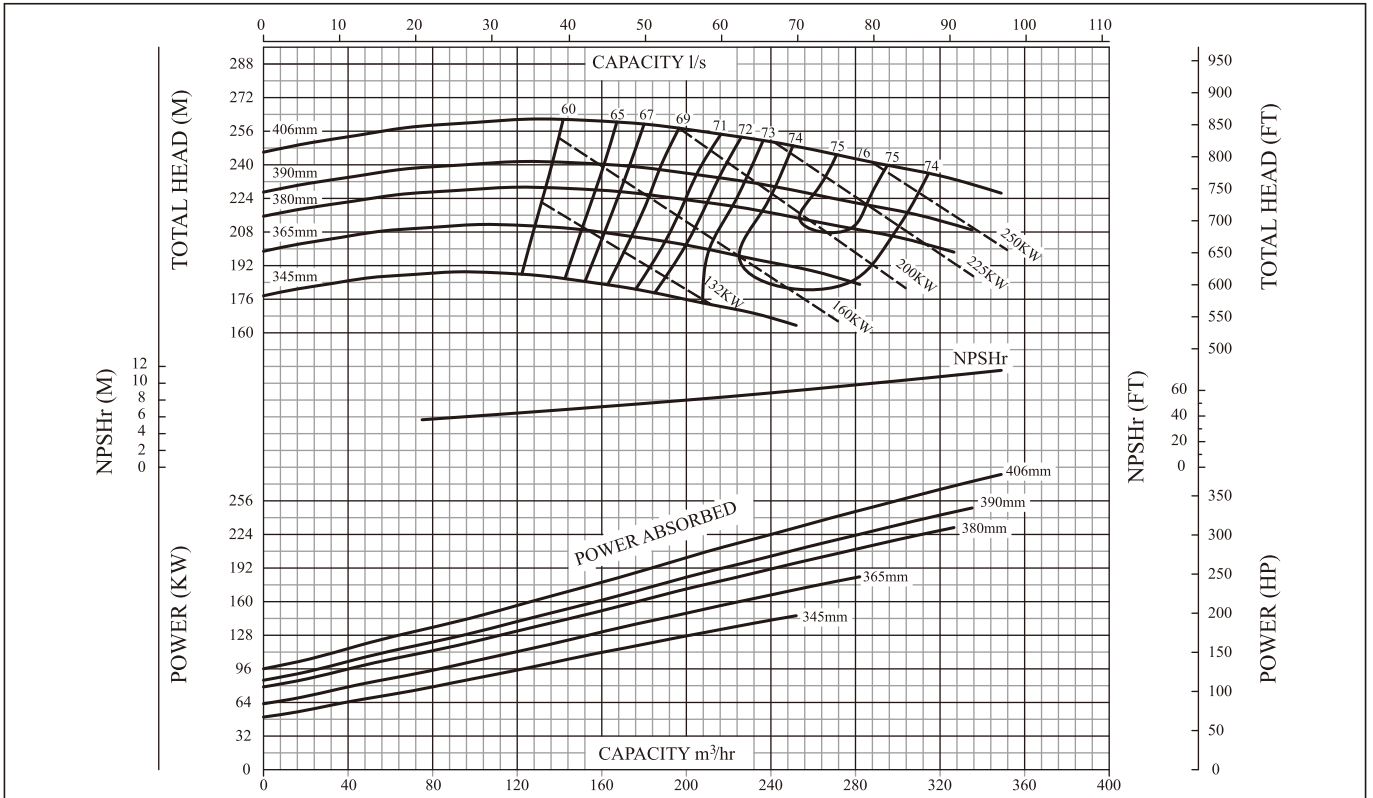
<b>PENTAIR</b>	<u>TYPE</u>	<u>SIZE</u>	<u>RPM</u>	<u>IMP.REF</u>	<u>CURVE No.</u>
	PWT	125-100-250S	1450	S	45405



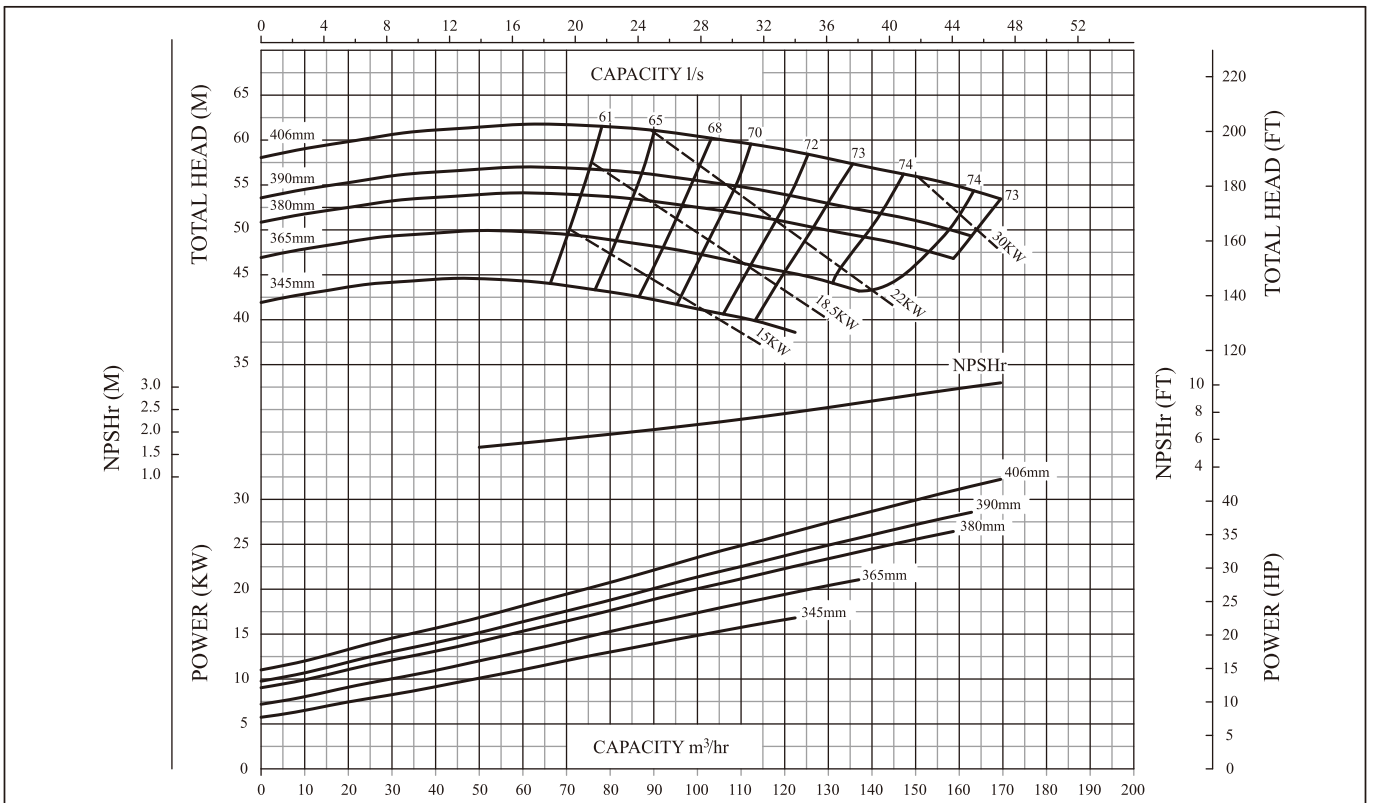
# MODEL PWT End Suction Pump



# MODEL PWT End Suction Pump

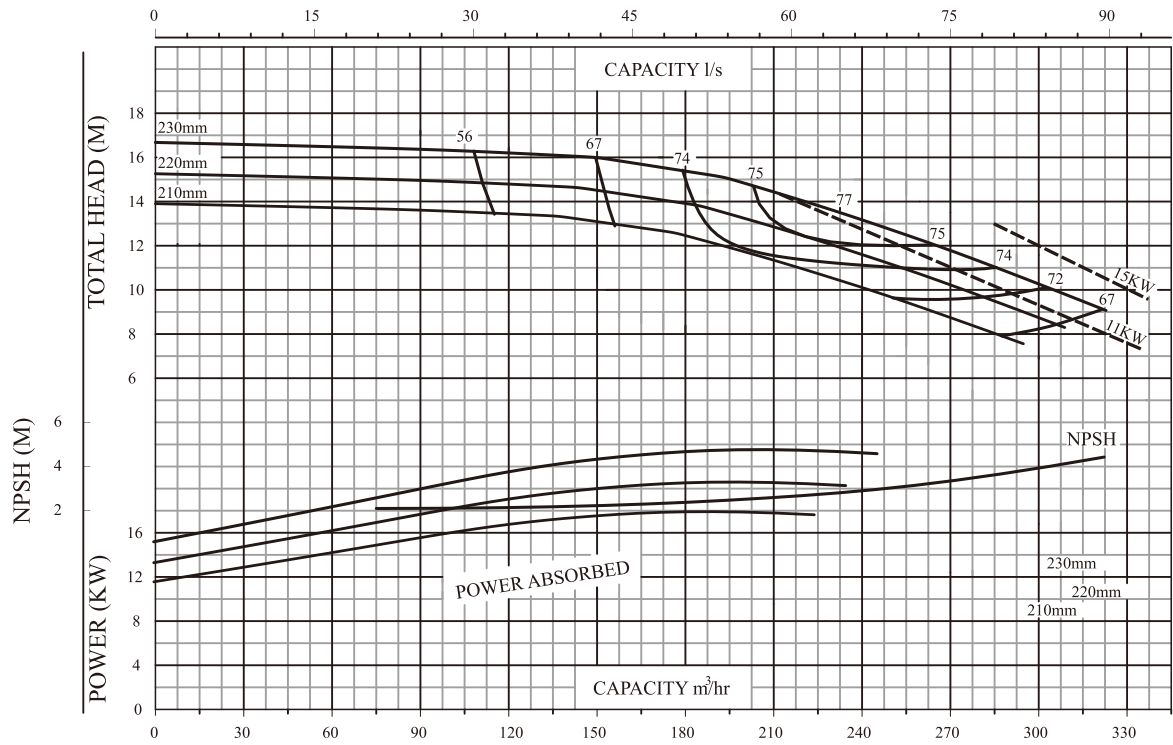


	<u>TYPE</u>	<u>SIZE</u>	<u>RPM</u>	<u>IMP.REF</u>	<u>CURVE No.</u>
	PWT	125-100-400DS	2985	S	25602



	<u>TYPE</u>	<u>SIZE</u>	<u>RPM</u>	<u>IMP.REF</u>	<u>CURVE No.</u>
	PWT	125-100-400S	1450	S	45602

# MODEL PWT End Suction Pump



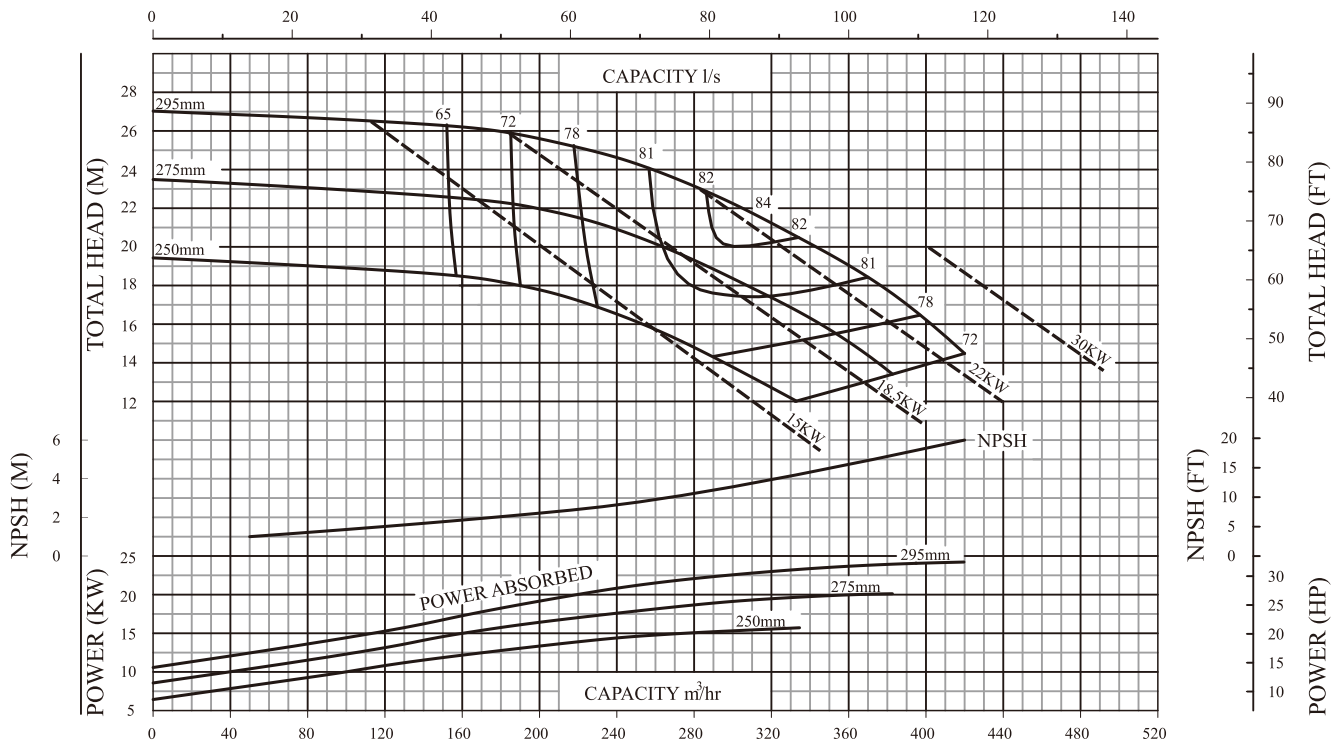
**TYPE**  
PWT

**SIZE**  
150-125-200S

**RPM**  
1450

**IMP.REF**  
S

**CURVE No.**  
45307



**TYPE**  
PWT

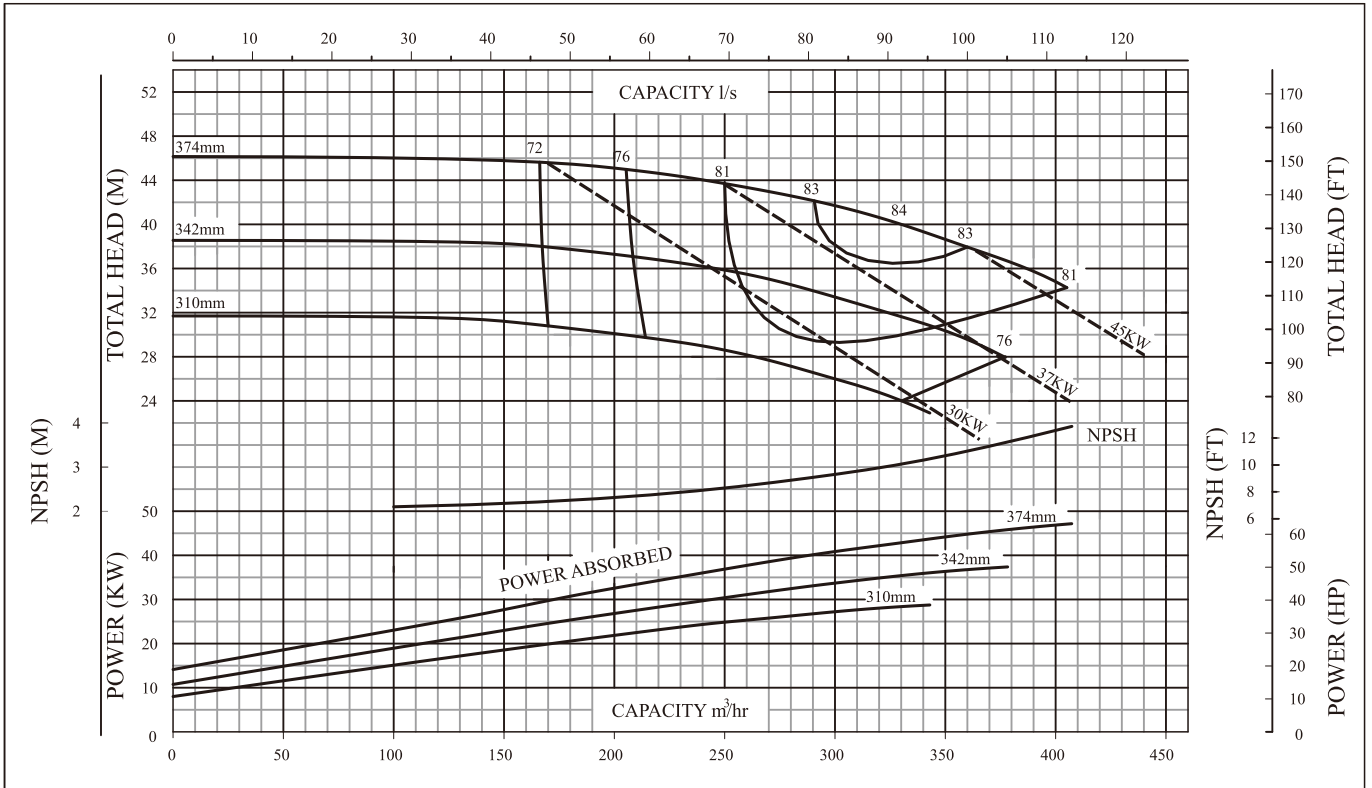
**SIZE**  
150-125-250S

**RPM**  
1450

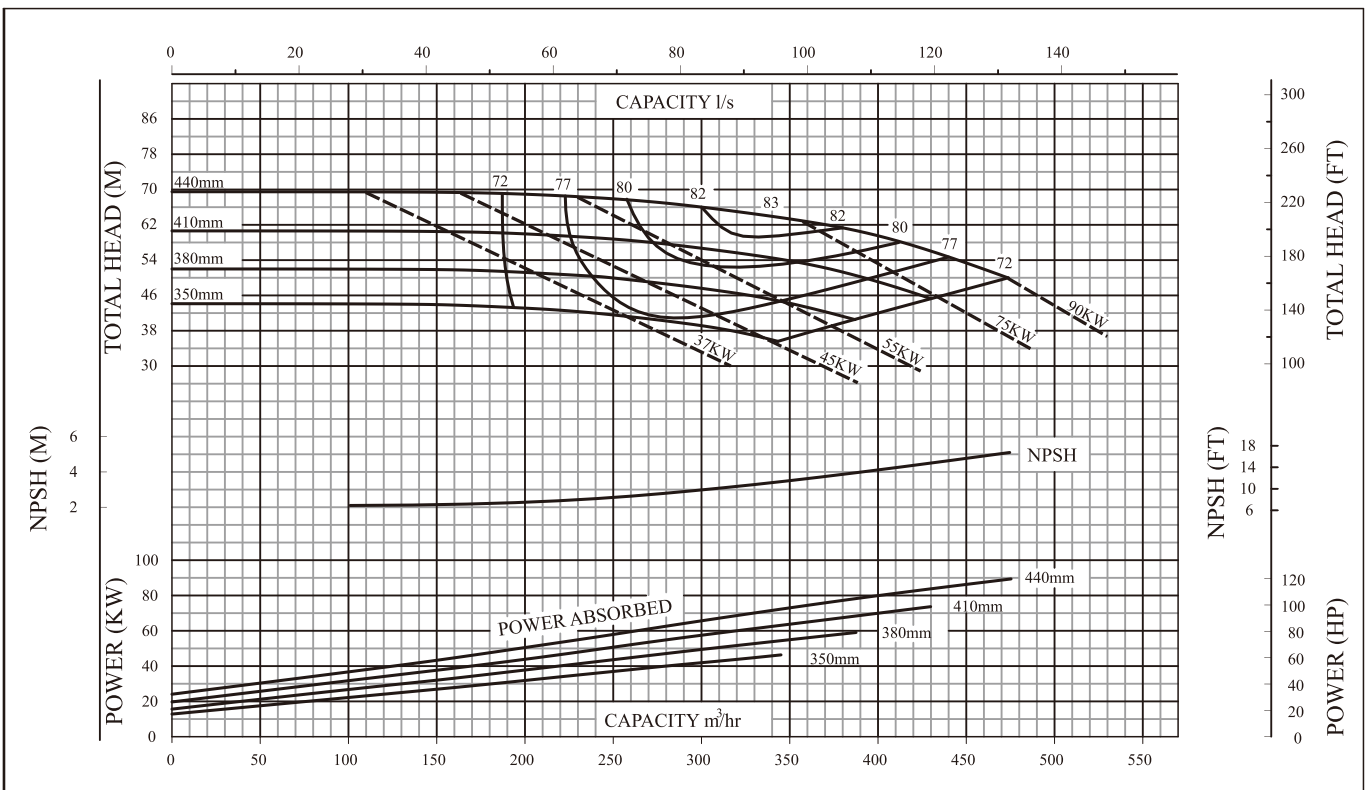
**IMP.REF**  
S

**CURVE No.**  
45406

# MODEL PWT End Suction Pump

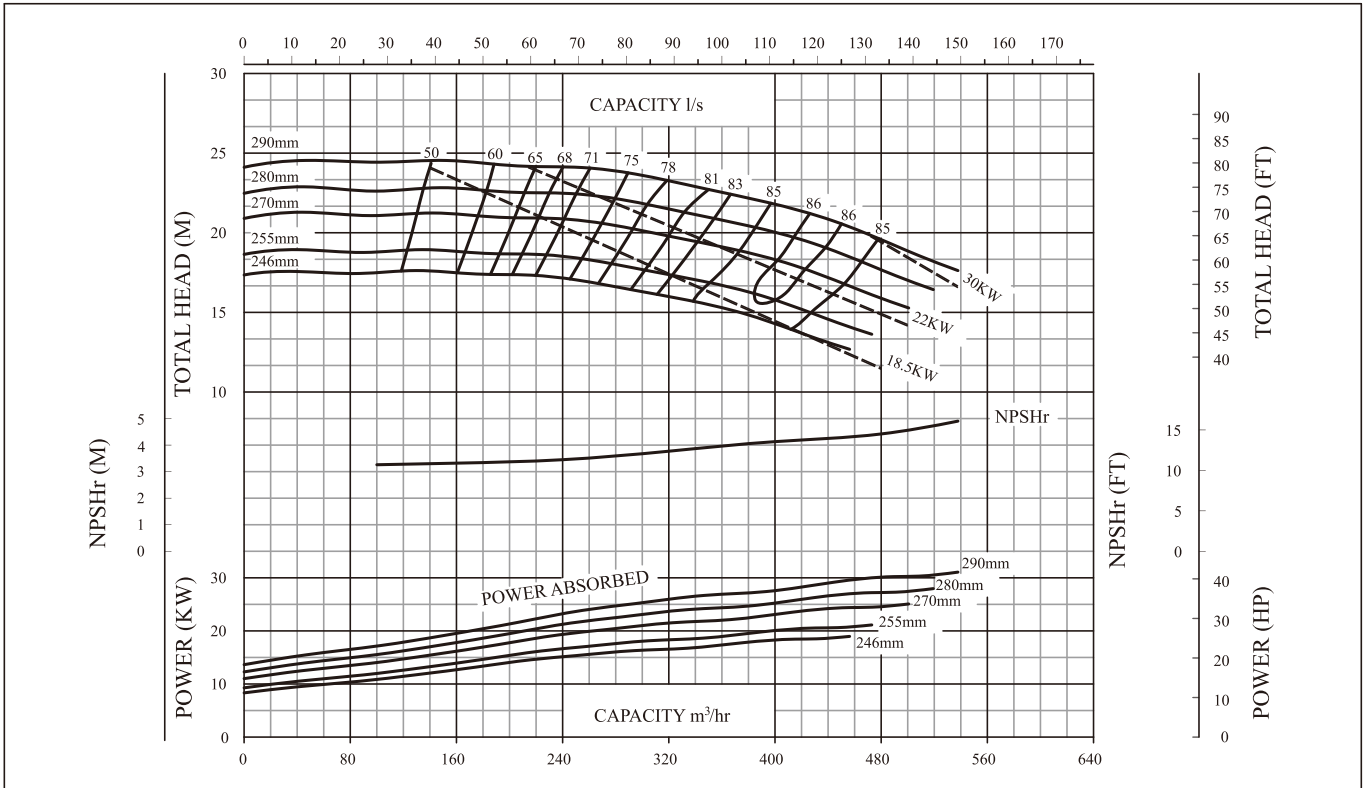


	<u>TYPE</u>	<u>SIZE</u>	<u>RPM</u>	<u>IMP.REF</u>	<u>CURVE No.</u>
	PWT	150-125-315S	1450	S	45506

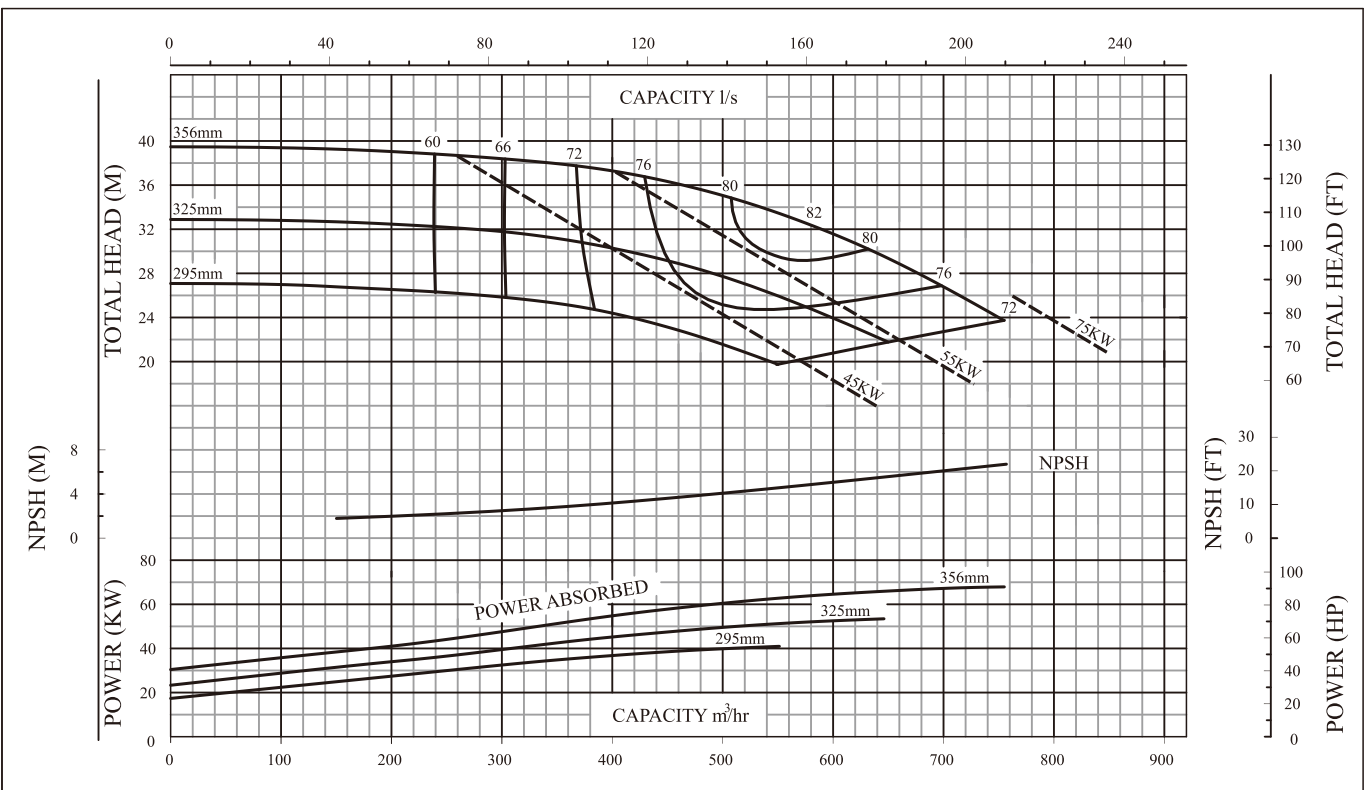


	<u>TYPE</u>	<u>SIZE</u>	<u>RPM</u>	<u>IMP.REF</u>	<u>CURVE No.</u>
	PWT	150-125-400S	1450	S	45603

# MODEL PWT End Suction Pump

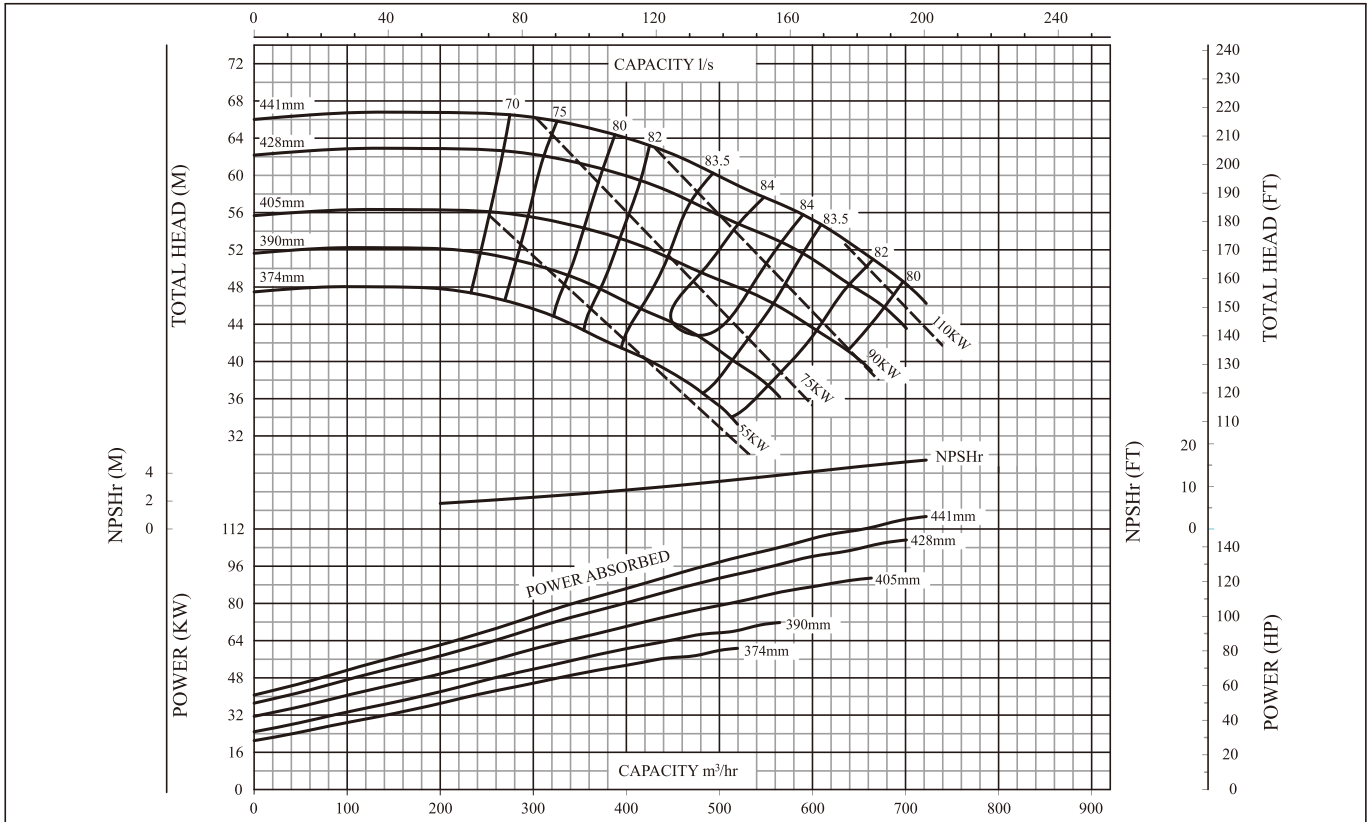


	<u>TYPE</u>	<u>SIZE</u>	<u>RPM</u>	<u>IMP.REF</u>	<u>CURVE No.</u>
	PWT	200-150-250S	1450	S	45407

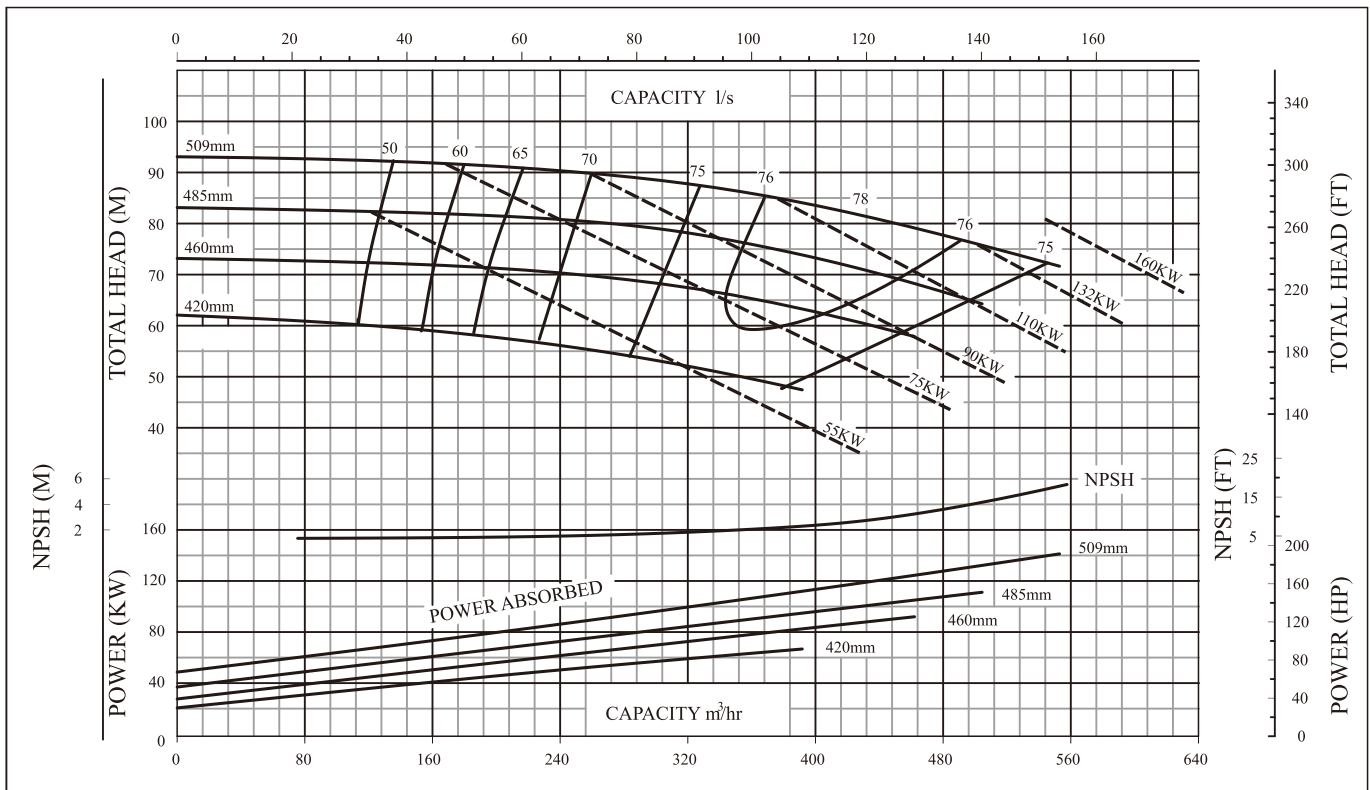


	<u>TYPE</u>	<u>SIZE</u>	<u>RPM</u>	<u>IMP.REF</u>	<u>CURVE No.</u>
	PWT	200-150-315S	1450	S	45507

# MODEL PWT End Suction Pump

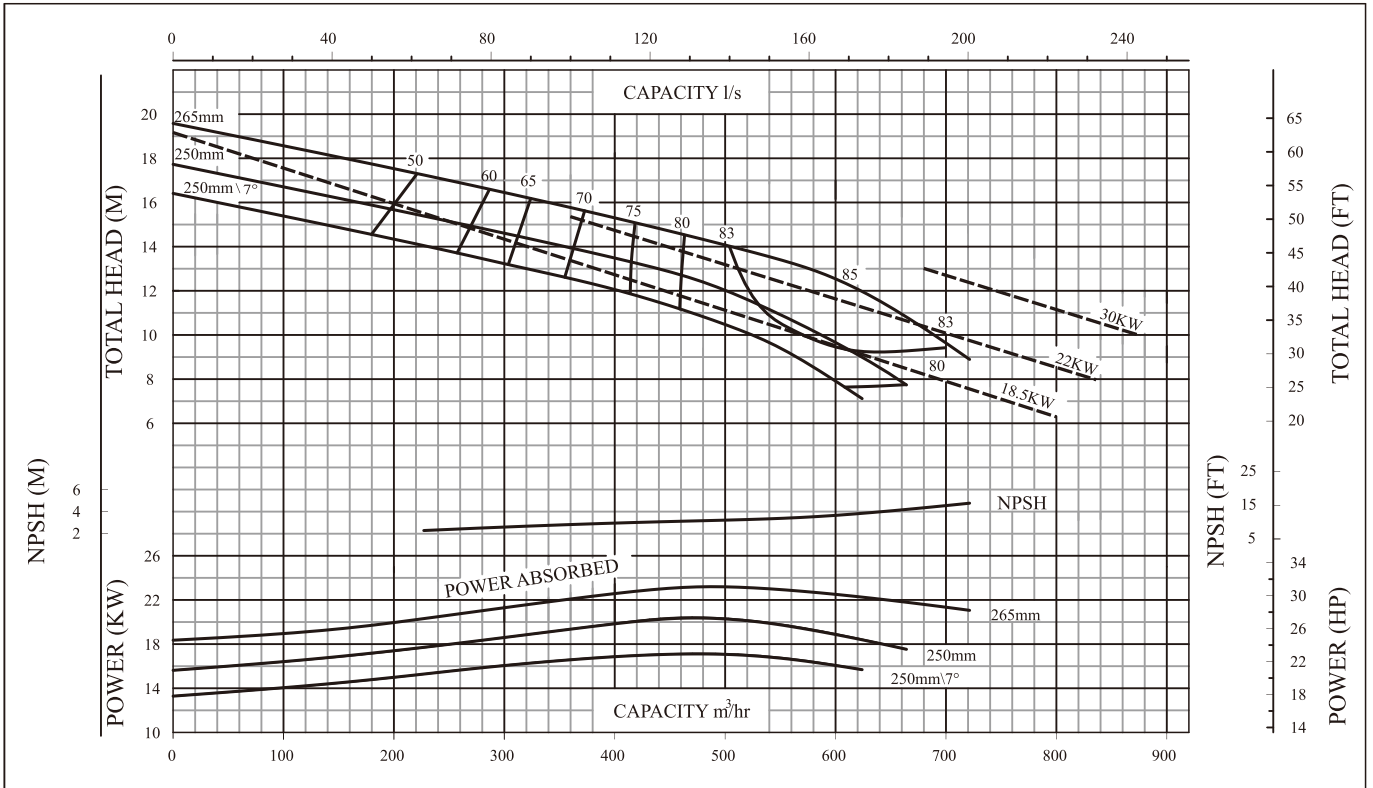


	<u>TYPE</u>	<u>SIZE</u>	<u>RPM</u>	<u>IMP.REF</u>	<u>CURVE No.</u>
	PWT	200-150-400S	1450	S	45604

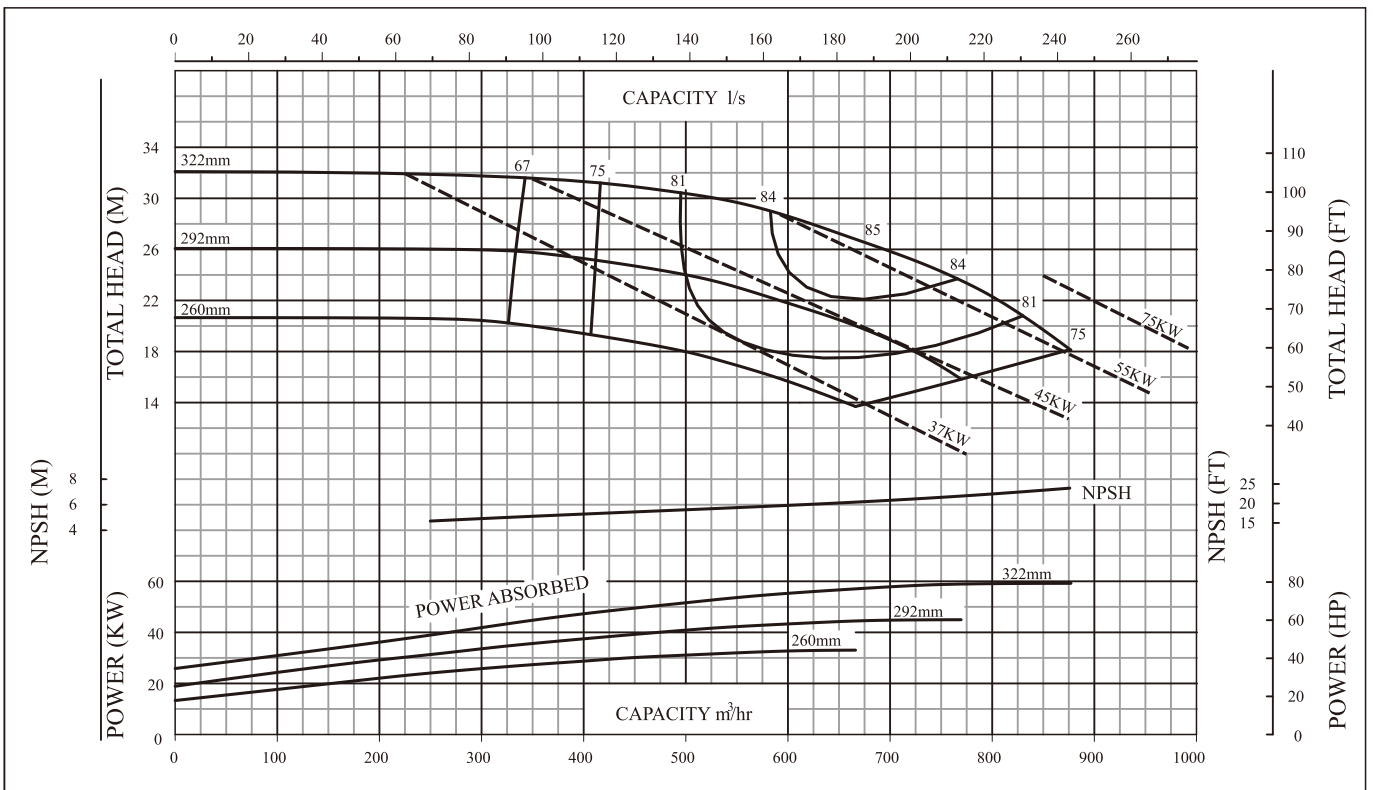


	<u>TYPE</u>	<u>SIZE</u>	<u>RPM</u>	<u>IMP.REF</u>	<u>CURVE No.</u>
	PWT	200-150-500S	1450	S	45701

# MODEL PWT End Suction Pump

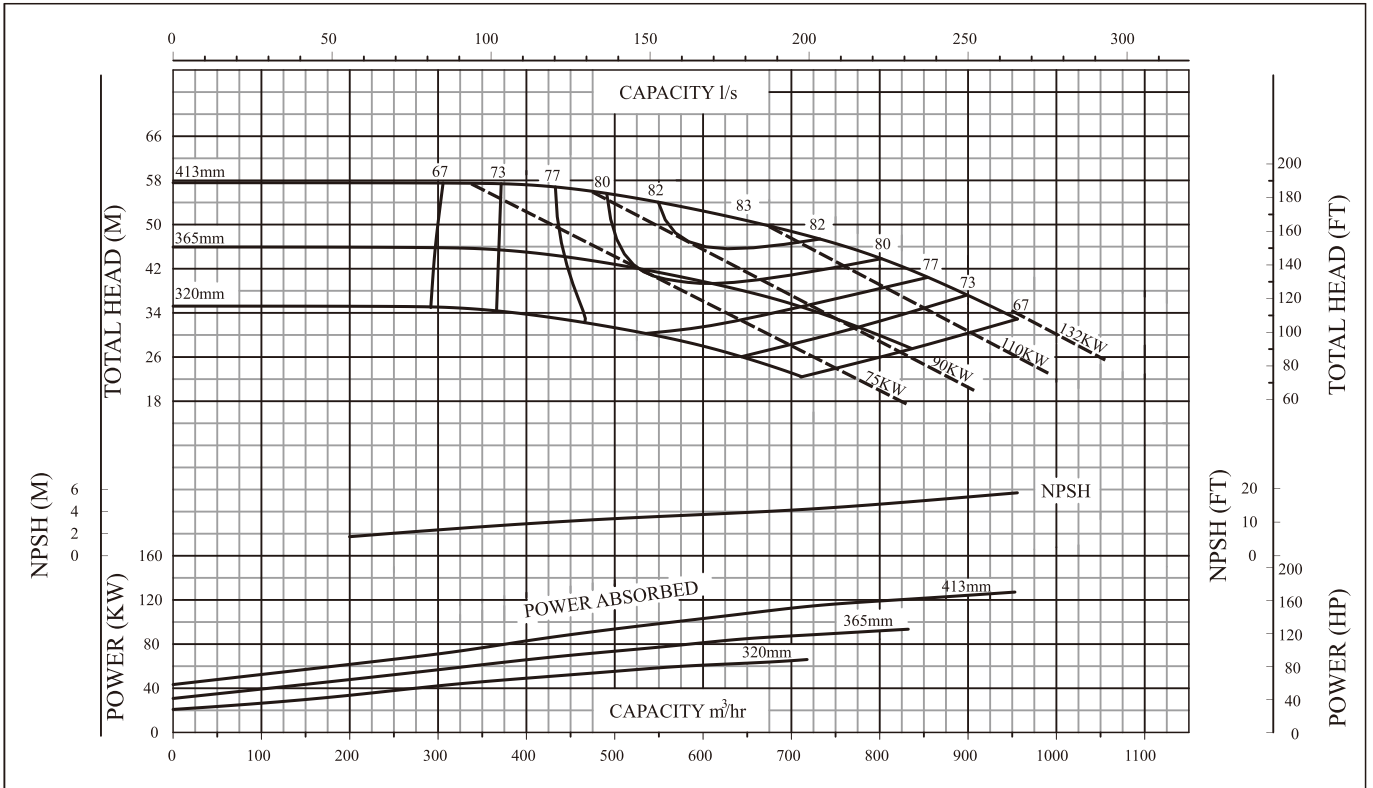


	<u>TYPE</u>	<u>SIZE</u>	<u>RPM</u>	<u>IMP.REF</u>	<u>CURVE No.</u>
	PWT	200-200-250S	1450	S	45408

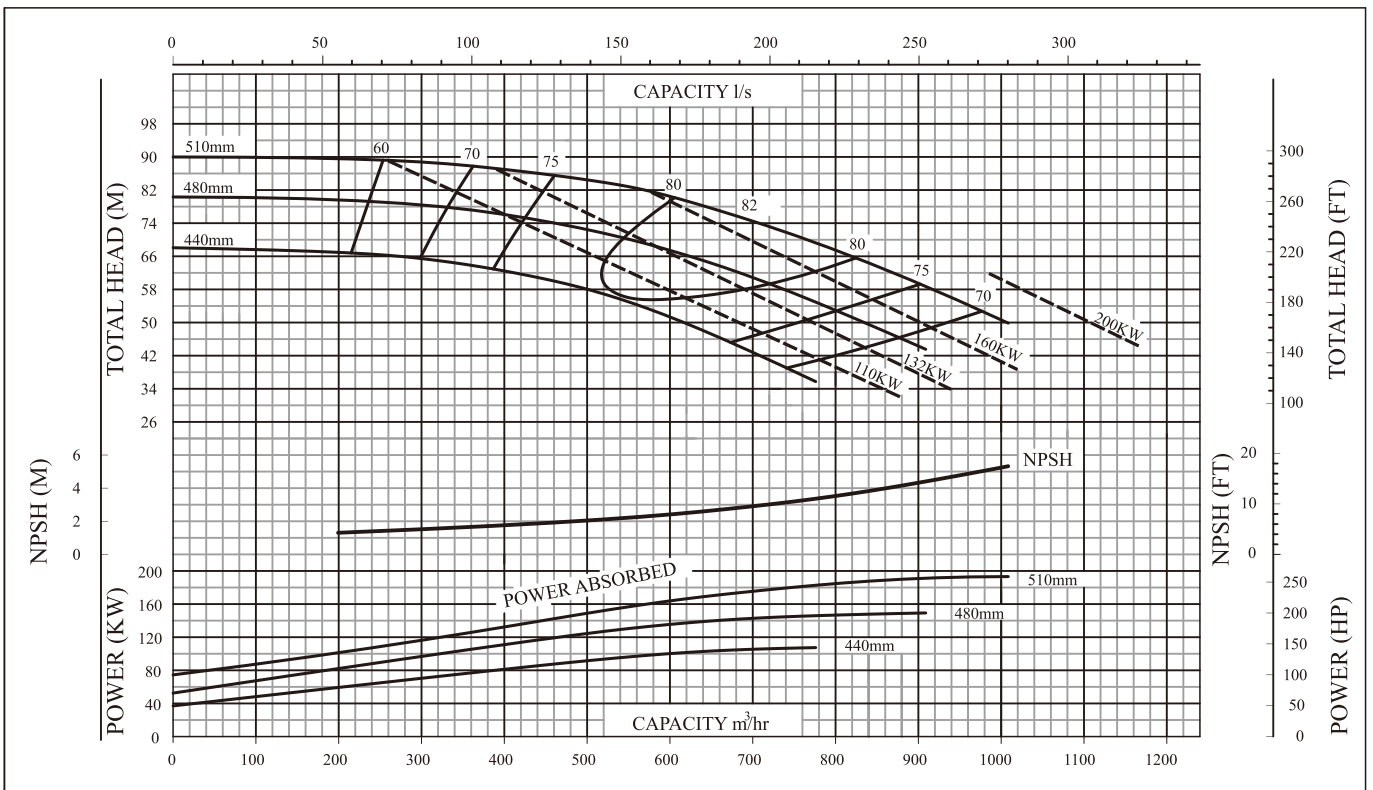


	<u>TYPE</u>	<u>SIZE</u>	<u>RPM</u>	<u>IMP.REF</u>	<u>CURVE No.</u>
	PWT	250-200-315S	1450	S	45508

# MODEL PWT End Suction Pump



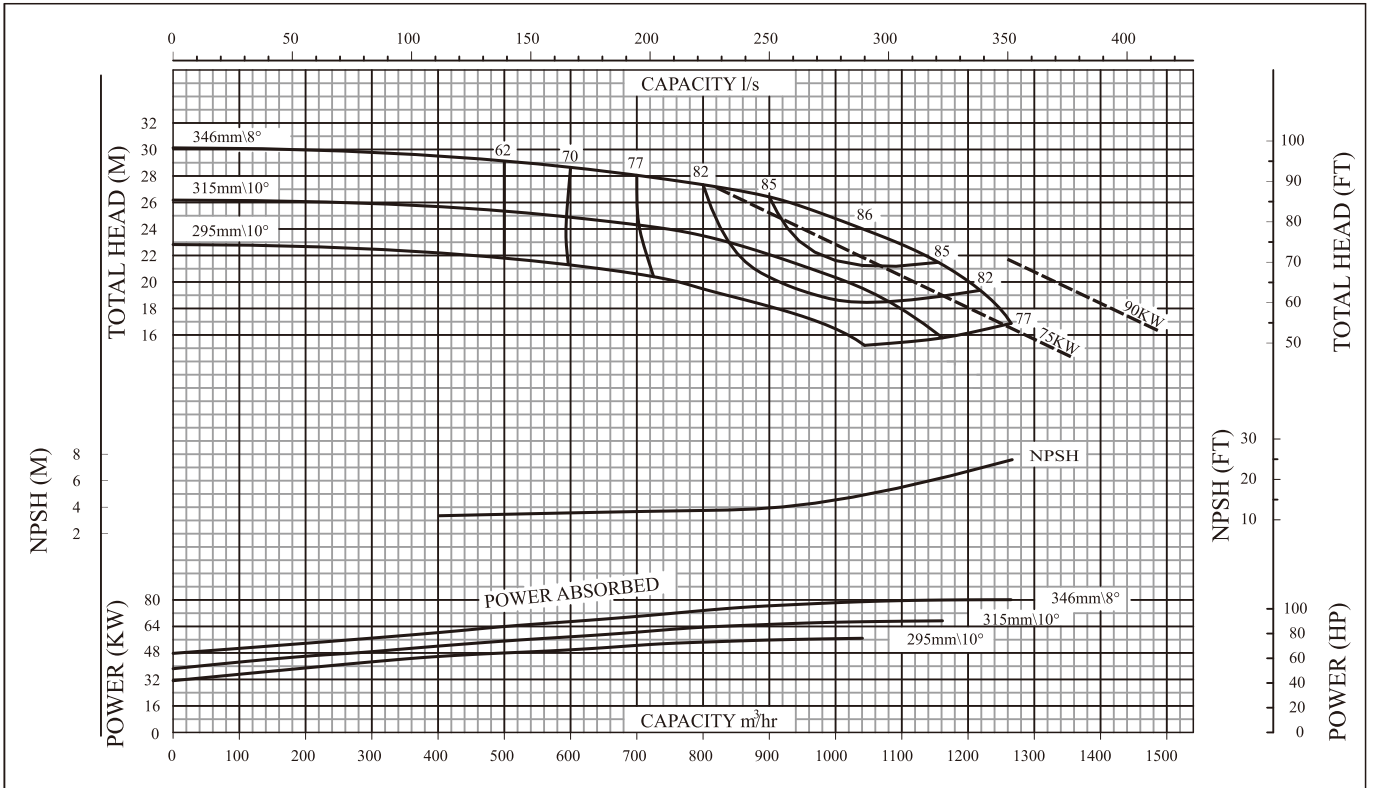
<b>PENTAIR</b>	<u>TYPE</u>	<u>SIZE</u>	<u>RPM</u>	<u>IMP.REF</u>	<u>CURVE No.</u>
	PWT	250-200-400S	1450	S	45605



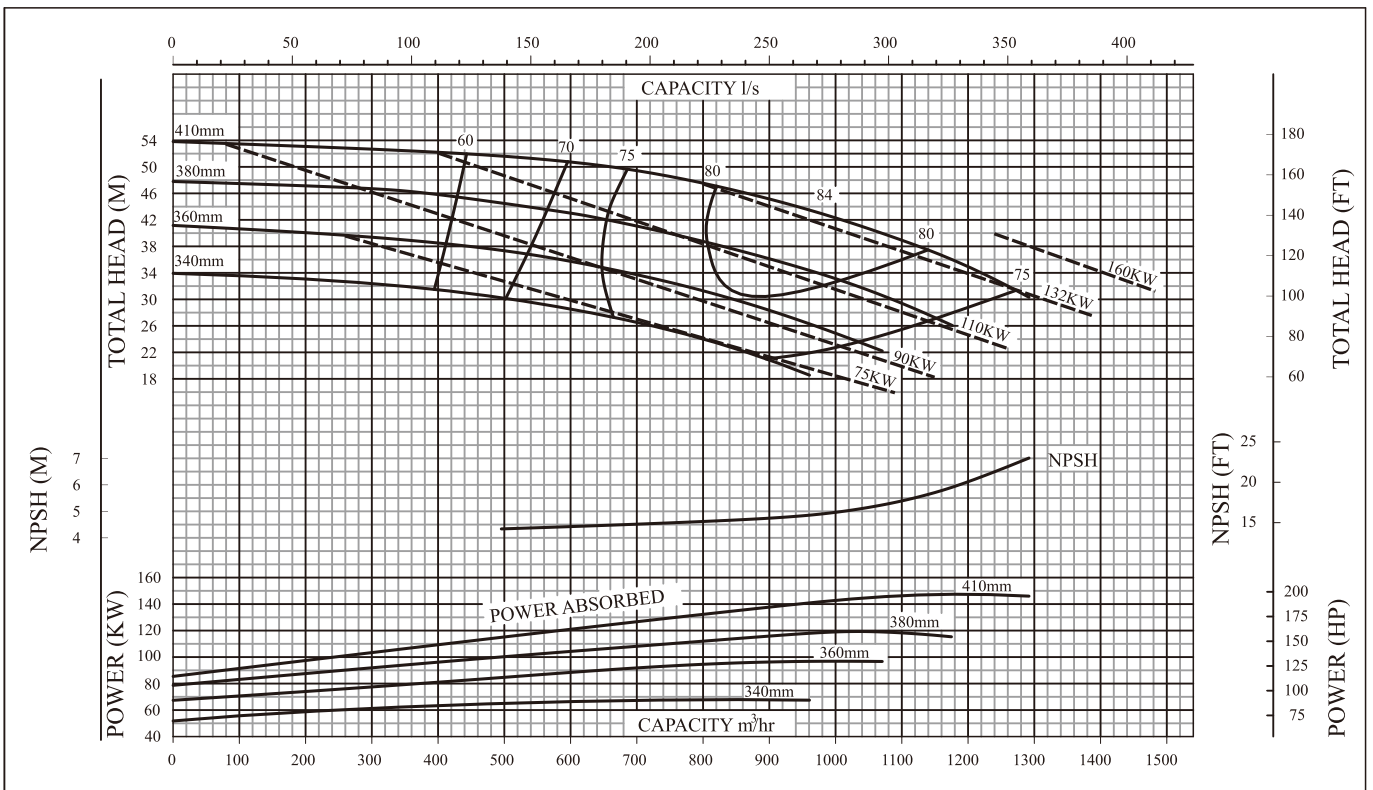
<b>PENTAIR</b>	<u>TYPE</u>	<u>SIZE</u>	<u>RPM</u>	<u>IMP.REF</u>	<u>CURVE No.</u>
	PWT	250-200-500S	1450	S	45702



# MODEL PWT End Suction Pump

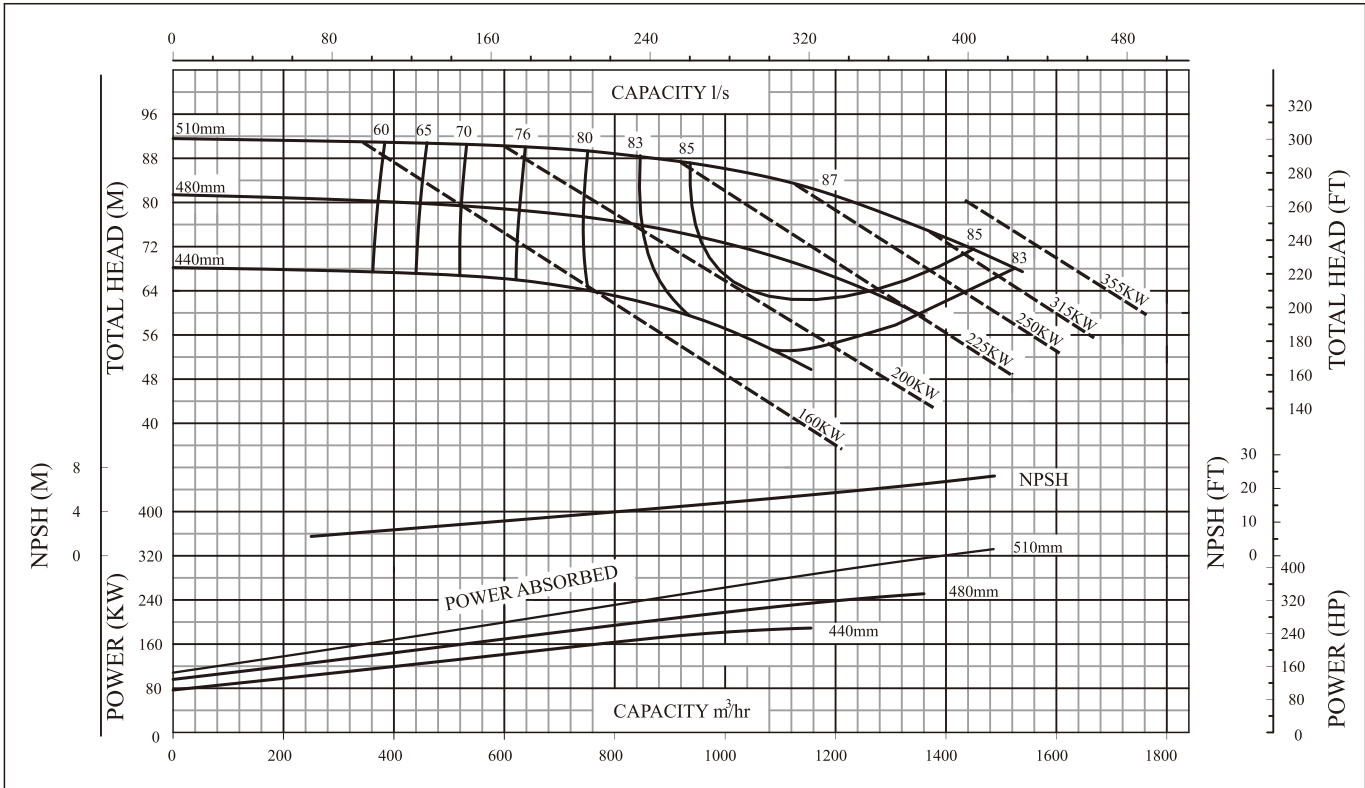


<b>PENTAIR</b>	<u>TYPE</u>	<u>SIZE</u>	<u>RPM</u>	<u>IMP.REF</u>	<u>CURVE No.</u>
	PWT	300-250-315S	1450	S	45509

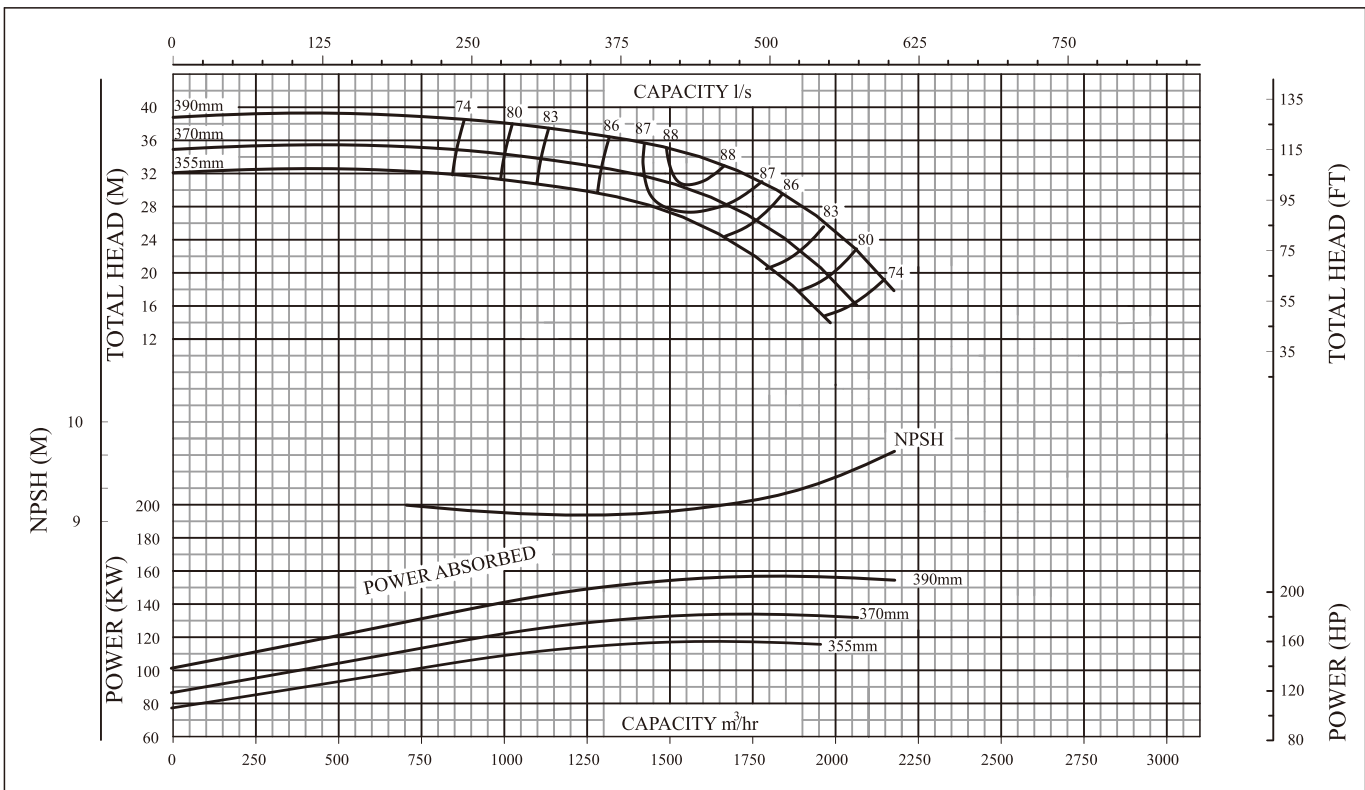


<b>PENTAIR</b>	<u>TYPE</u>	<u>SIZE</u>	<u>RPM</u>	<u>IMP.REF</u>	<u>CURVE No.</u>
	PWT	300-250-400S	1450	S	45606

# MODEL PWT End Suction Pump

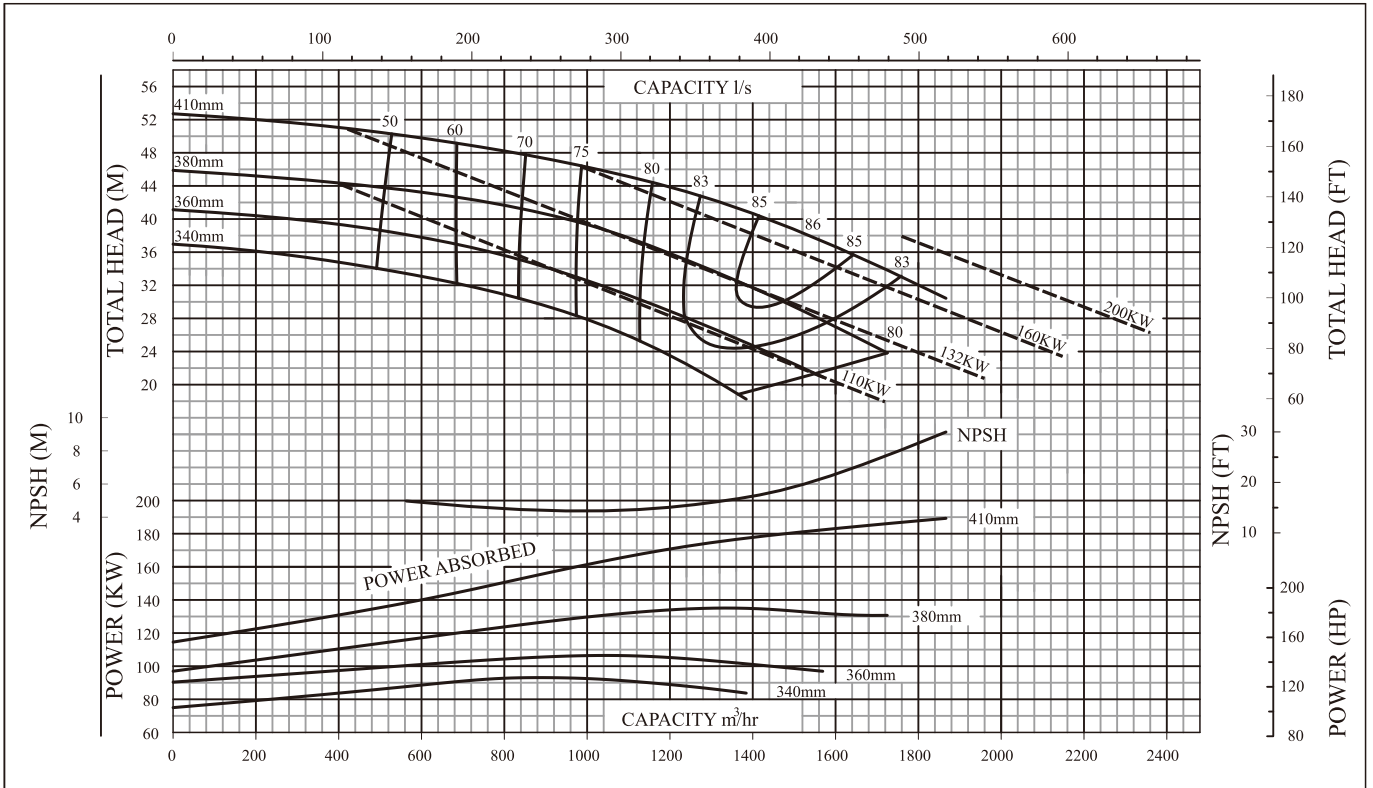


	<u>TYPE</u>	<u>SIZE</u>	<u>RPM</u>	<u>IMP.REF</u>	<u>CURVE No.</u>
	PWT	300-250-500S	1450	S	45703

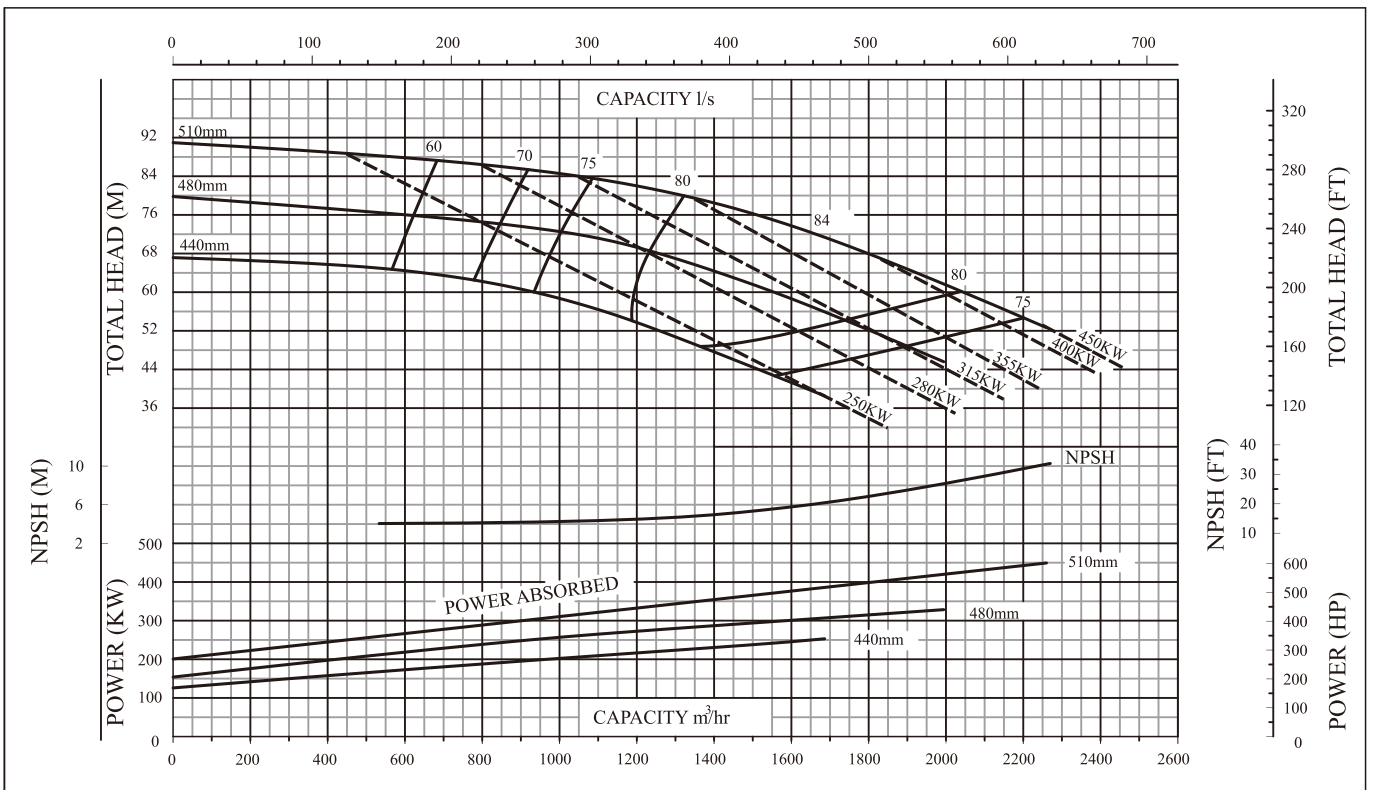


	<u>TYPE</u>	<u>SIZE</u>	<u>RPM</u>	<u>IMP.REF</u>	<u>CURVE No.</u>
	PWT	350-300-315S	1450	S	45510

# MODEL PWT End Suction Pump

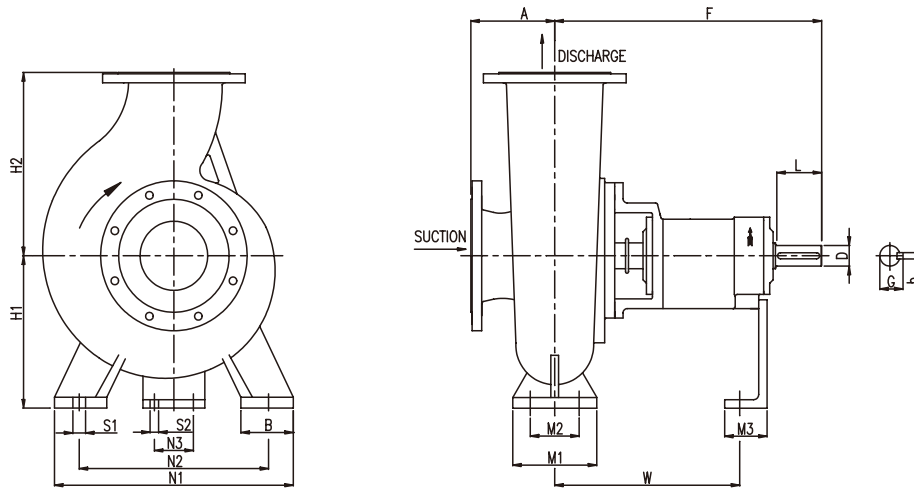


	<u>TYPE</u>	<u>SIZE</u>	<u>RPM</u>	<u>IMP.REF</u>	<u>CURVE No.</u>
	PWT	350-300-400S	1450	S	45607



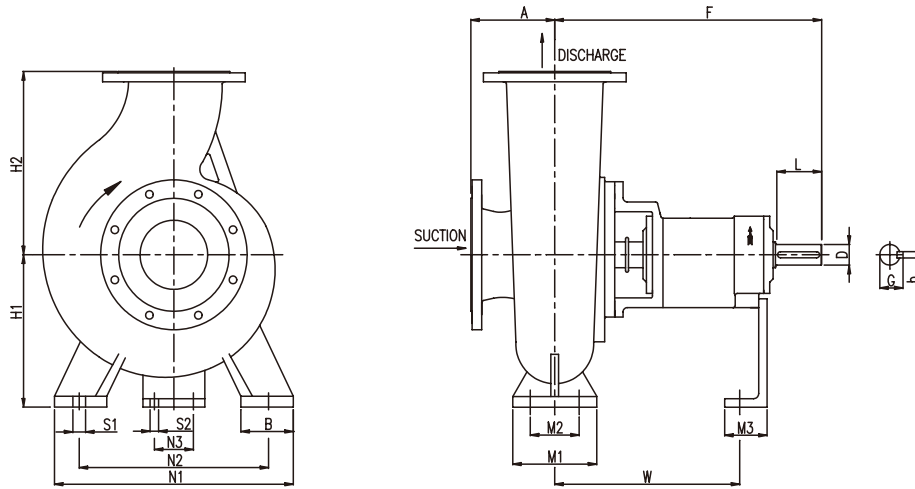
	<u>TYPE</u>	<u>SIZE</u>	<u>RPM</u>	<u>IMP.REF</u>	<u>CURVE No.</u>
	PWT	350-300-500S	1450	S	45704

## MODEL PWT End Suction Pump



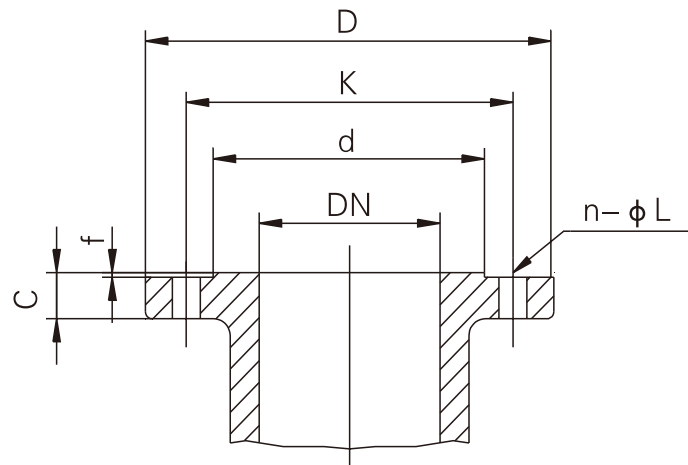
Pump Size	Diameter		Frame Size	Pump Dimensions				Mounting Dimensions										Shaft				Weight (kg)
	Suc	Dis		A	F	H1	H2	B	M1	M2	M3	N1	N2	N3	W	ΦS1	ΦS2	ΦD	L	b	G	
50-32-125	50	32	S	80	385	112	140	50	100	70	54	190	140	110	285	14.5	14.5	24	50	8	27.3	55
65-50-125	65	50	S	80	385	112	140	50	100	70	54	210	160	110	285	14.5	14.5	24	50	8	27.3	58
80-65-125	80	65	S	100	385	132	175	50	100	70	54	265	212	110	285	14.5	14.5	24	50	8	27.3	68
100-80-125	100	80	S	100	385	160	190	65	125	95	54	280	212	110	285	14.5	14.5	24	50	8	27.3	73
50-32-160	50	32	S	80	385	132	160	50	100	70	54	240	190	110	285	14.5	14.5	24	50	8	27.3	59
65-50-160	65	50	S	80	385	132	160	50	100	70	54	240	190	110	285	14.5	14.5	24	50	8	27.3	61
80-65-160	80	65	S	100	385	160	180	50	100	70	54	265	212	110	285	14.5	14.5	24	50	8	27.3	75
100-80-160	100	80	M	100	500	160	205	65	125	95	54	280	212	110	370	14.5	14.5	32	80	10	35.3	104
50-32-200	50	32	S	80	385	160	180	50	100	70	54	240	190	110	285	14.5	14.5	24	50	8	27.3	64
65-40-200	65	40	S	100	385	160	180	50	100	70	54	265	212	110	285	14.5	14.5	24	50	8	27.3	73
80-50-200	80	50	S	100	385	160	200	50	100	70	54	265	212	110	285	14.5	14.5	24	50	8	27.3	78
100-65-200	100	65	M	100	500	180	225	65	125	95	54	320	250	110	370	14.5	14.5	32	80	10	35.3	115
125-80-200	125	80	M	125	500	180	250	65	125	95	54	345	280	110	370	14.5	14.5	32	80	10	35.3	125
125-100-200	125	100	M	125	500	200	280	80	160	120	54	360	280	110	370	18.5	14.5	32	80	10	35.3	135
150-125-200	150	125	M	140	500	250	355	80	160	120	54	360	280	110	370	18.5	14.5	32	80	10	35.3	202
50-32-250	50	32	M	100	500	180	225	65	125	95	54	320	250	110	370	14.5	14.5	32	80	10	35.3	103
65-40-250	65	40	M	100	500	180	225	65	125	95	54	320	250	110	370	14.5	14.5	32	80	10	35.3	116
80-50-250	80	50	M	125	500	180	245	65	125	95	54	320	250	110	370	14.5	14.5	32	80	10	35.3	116
100-65-250	100	65	M	125	500	200	250	80	160	120	54	360	280	110	370	18.5	14.5	32	80	10	35.3	129
125-80-250	125	80	M	125	500	225	280	80	160	120	54	400	315	110	370	18.5	14.5	32	80	10	35.3	145
125-100-250	125	100	L	140	530	225	280	80	160	120	54	400	315	110	370	18.5	14.5	42	110	12	45.3	196
150-125-250	150	125	L	140	530	250	355	80	160	120	54	400	315	110	370	18.5	14.5	42	110	12	45.3	223
200-150-250	200	150	L	160	530	280	375	100	200	150	54	500	400	110	370	24	14.5	42	110	12	45.3	270
200-200-250	200	200	XL	180	625	315	450	100	200	150	54	550	400	140	455	24	14.5	48	110	14	51.8	291
65-40-315	65	40	M	125	500	200	250	65	125	95	54	345	300	110	370	14.5	14.5	32	80	10	35.3	145
80-50-315	80	50	M	125	500	225	280	65	125	95	54	345	280	110	370	14.5	14.5	32	80	10	35.3	151

# MODEL PWT End Suction Pump



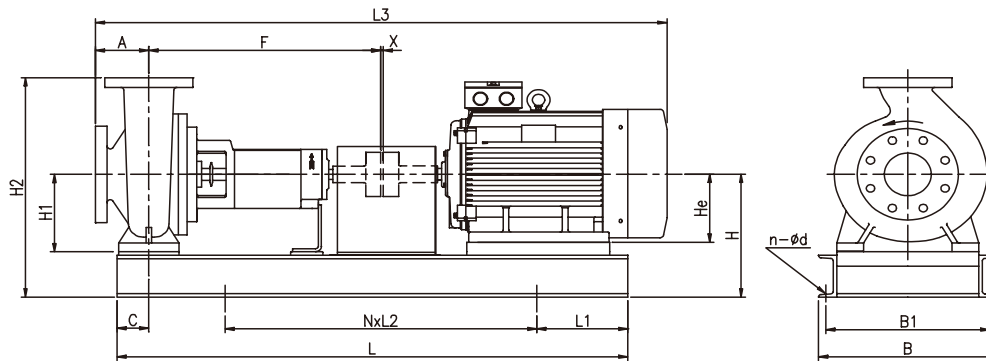
Pump Size	Diameter		Frame Size	Pump Dimensions				Mounting Dimensions										Shaft				Weight (kg)
	Suc	Dis		A	F	H1	H2	B	M1	M2	M3	N1	N2	N3	W	ΦS1	ΦS2	ΦD	L	b	G	
*100-65-315	100	65	L	125	530	225	280	80	160	120	54	400	315	110	370	18.5	14.5	42	110	12	45.3	204
**100-65-315	100	65	XL	125	600	225	280	80	160	120	54	400	315	110	440	18.5	14.5	42	110	12	45.3	204
*125-80-315	125	80	L	125	530	250	315	80	160	120	54	400	315	110	370	18.5	14.5	42	110	12	45.3	210
**125-80-315	125	80	XL	125	600	250	315	80	160	120	54	400	315	110	440	18.5	14.5	42	110	12	45.3	210
*125-100-315	125	100	L	140	530	250	345	80	160	120	54	400	315	110	370	18.5	14.5	42	110	12	45.3	213
**125-100-315	125	100	XL	140	600	250	345	80	160	120	54	400	315	110	440	18.5	14.5	42	110	12	45.3	213
150-125-315	150	125	L	140	530	280	355	100	200	150	54	500	400	110	370	24	14.5	42	110	12	45.3	283
200-150-315	200	150	XL	160	625	315	400	100	200	150	54	550	450	110	455	24	14.5	48	110	14	51.8	293
250-200-315	250	200	XL	200	625	355	450	100	200	150	54	550	450	140	455	24	14.5	48	110	14	51.8	361
300-250-315	300	250	XL	250	625	400	550	120	240	180	54	680	580	140	455	27	14.5	48	110	14	51.8	452
350-300-315	350	300	XXL	250	710	400	600	120	240	180	54	680	580	140	510	27	14.5	60	140	20	64.4	553
*125-80-400	125	80	L	125	530	280	355	80	160	120	54	435	355	110	370	18.5	14.5	42	110	12	45.3	267
**125-80-400	125	80	XXL	125	685	280	355	80	160	120	54	435	355	110	485	18.5	14.5	60	140	18	64.4	322
*125-100-400	125	100	L	140	530	280	375	100	200	150	54	500	400	110	370	24	14.5	42	110	12	45.3	284
**125-100-400	125	100	XXL	140	685	295	375	100	200	150	54	500	400	110	485	24	14.5	60	140	18	64.4	415
150-125-400	150	125	L	140	530	315	400	100	200	150	54	500	400	110	370	24	14.5	42	110	12	45.3	281
200-150-400	200	150	XL	160	625	315	450	100	200	150	54	550	450	140	455	24	14.5	48	110	14	51.8	348
250-200-400	250	200	XL	180	625	355	500	100	200	150	54	550	450	140	455	24	14.5	48	110	14	51.8	423
300-250-400	300	250	XXL	200	710	375	550	120	240	180	54	600	500	140	510	27	14.5	60	140	18	64.4	536
350-300-400	350	300	XXL	240	710	450	650	140	300	200	54	700	600	140	510	27	14.5	60	140	18	64.4	602
200-150-500	200	150	XL	180	625	375	500	100	200	150	54	550	450	140	455	24	14.5	48	110	14	51.8	437
250-200-500	250	200	XXL	200	710	400	550	100	200	150	54	650	550	140	510	27	14.5	60	140	18	64.4	530
300-250-500	300	250	XXXL	200	710	425	620	120	240	180	54	700	600	140	510	27	14.5	75	140	20	79.9	671
350-300-500	350	300	XXXL	250	710	450	700	140	300	200	54	850	750	140	510	27	14.5	75	140	20	79.9	753

NOTE: THE SPEED WITH\*\*\* PUMP IS AT 1450RPM, THE SPEED WITH\*\*\*\* PUMP IS AT 2900RPM.



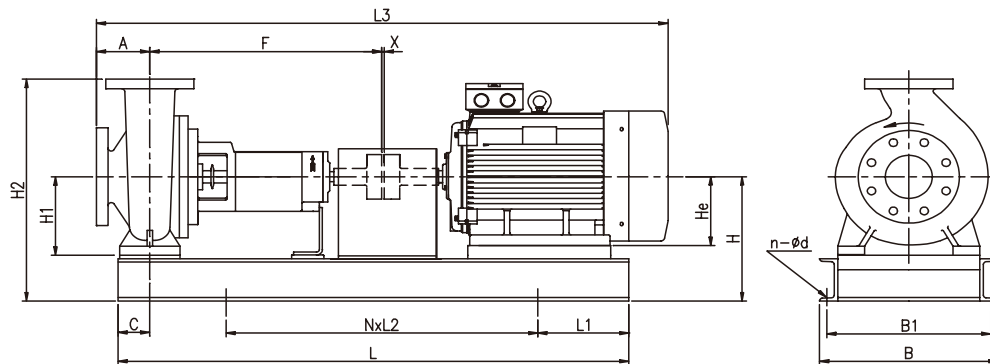
DN mm	Standard	D mm	d mm	K mm	C mm	f mm	n-φL mm	Bolts
32	PN1.6MPa	140	76	100	18	3	4-φ18	4-M16
40		150	84	110	18	3	4-φ18	4-M16
50		165	99	125	20	3	4-φ18	4-M16
65		185	118	145	20	3	4-φ18	4-M16
80		200	132	160	20	3	8-φ18	8-M16
100		220	156	180	22	3	8-φ18	8-M16
125		250	184	210	22	3	8-φ18	8-M16
150		285	211	240	24	3	8-φ22	8-M20
200		340	266	295	24	3	12-φ22	12-M20
250		405	319	355	26	3	12-φ26	12-M24
300		460	370	410	28	4	12-φ26	12-M24
350		520	429	470	30	4	16-φ26	16-M24
32	PN2.0MPa	120	63.5	89	13	2	4-φ16	4-M14
40		130	73	98.5	14.5	2	4-φ16	4-M14
50		150	92	120.5	16	2	4-φ18	4-M16
65		180	105	139.5	17.5	2	4-φ18	4-M16
80		190	127	152.5	19.5	2	4-φ18	4-M16
100		230	157.5	190.5	24	2	8-φ18	8-M16
125		255	186	216	24	2	8-φ22	8-M20
150		280	216	241.5	25.5	2	8-φ22	8-M20
200		345	270	298.5	29	2	8-φ22	8-M20
250		405	324	362	30.5	2	12-φ26	12-M24
300		485	381	432	32	2	12-φ26	12-M24
350		535	413	476	35	2	12-φ29.5	12-M27

# MODEL PWT End Suction Pump



PUMP SIZE	MOTOR SIZE	A	F	X	H1	H2	H	He	L1	NxL2	L3	L	C	B1	B	n-φd	Wt. (kg)
50-32-125	112M-2/4KW	80	385	2	112	382	242	112	100	1x590	869	790	70	310	350	4-φ15	124
	100L-2/3KW	80	385	2	112	382	242	100	100	1x580	855	780	70	310	350	4-φ15	117
	90L-2/2.2KW	80	385	2	112	382	242	90	100	1x550	810	750	70	310	350	4-φ15	109
	90S-2/1.5KW	80	385	2	112	382	242	90	100	1x550	785	750	70	310	350	4-φ15	106
	802-4/0.75KW	80	385	2	112	382	242	80	100	1x500	765	700	70	310	350	4-φ15	96
	801-4/0.55KW	80	385	2	112	382	242	80	100	1x500	765	700	70	310	350	4-φ15	95
	712-4/0.37KW	80	385	2	112	382	242	71	100	1x475	720	675	70	310	350	4-φ15	94
65-50-125	112M-2/4KW	80	385	2	112	382	242	112	100	1x590	870	790	70	310	350	4-φ15	130
	100L-2/3KW	80	385	2	112	382	242	100	100	1x580	855	780	70	310	350	4-φ15	123
	90L-2/2.2KW	80	385	2	112	382	242	90	100	1x550	810	750	70	310	350	4-φ15	110
	90S-4/1.1KW	80	385	2	112	382	242	90	100	1x550	785	750	70	310	350	4-φ15	107
	802-4/0.75KW	80	385	2	112	382	242	80	100	1x500	765	700	70	310	350	4-φ15	101
	801-4/0.55KW	80	385	2	112	382	242	80	100	1x500	765	700	70	310	350	4-φ15	100
	712-4/0.37KW	80	385	2	112	382	242	71	100	1x475	720	675	70	310	350	4-φ15	99
80-65-125	132S2-2/7.5KW	100	385	3	132	417	242	132	100	1x640	961	840	70	350	390	4-φ15	166
	132S1-2/5.5KW	100	385	3	132	417	242	132	100	1x640	961	840	70	350	390	4-φ15	163
	112M-2/4KW	100	385	2	132	417	242	112	100	1x590	890	790	70	310	350	4-φ15	133
	90L-4/1.5KW	100	385	2	132	417	242	90	100	1x550	805	750	70	310	350	4-φ15	114
	90S-4/1.1KW	100	385	2	132	417	242	90	100	1x550	805	750	70	310	350	4-φ15	108
	802-4/0.75KW	100	385	2	132	417	242	80	100	1x500	785	700	70	310	350	4-φ15	108
100-80-125	160M1-2/11KW	100	385	3	160	460	270	160	100	1x800	1106	1000	70	400	440	4-φ15	215
	132S2-2/7.5KW	100	385	3	160	460	270	132	100	1x640	961	840	70	350	390	4-φ15	170
	100L1-4/2.2KW	100	385	2	160	460	270	100	100	1x580	875	780	70	310	350	4-φ15	132
	90L-4/1.5KW	100	385	2	160	460	270	90	100	1x550	830	750	70	310	350	4-φ15	120
	90S-4/1.1KW	100	385	2	160	460	270	90	100	1x550	805	750	70	310	350	4-φ15	120
50-32-160	132S1-2/5.5KW	80	385	3	132	402	242	132	100	1x640	941	840	70	350	390	4-φ15	153
	112M-2/4KW	80	385	2	132	402	242	112	100	1x590	870	790	70	310	350	4-φ15	128
	100L-2/3KW	80	385	2	132	402	242	100	100	1x580	855	780	70	310	350	4-φ15	121
	90L-2/2.2KW	80	385	2	132	402	242	90	100	1x550	810	750	70	310	350	4-φ15	113
	90S-2/1.5KW	80	385	2	132	402	242	90	100	1x550	785	750	70	310	350	4-φ15	110
	90S-4/1.1KW	80	385	2	132	402	242	90	100	1x550	785	750	70	310	350	4-φ15	104
	802-4/0.75KW	80	385	2	132	402	242	80	100	1x500	765	700	70	310	350	4-φ15	104
801-4/0.55KW	80	385	2	132	402	242	80	100	1x500	765	700	70	310	350	4-φ15	103	

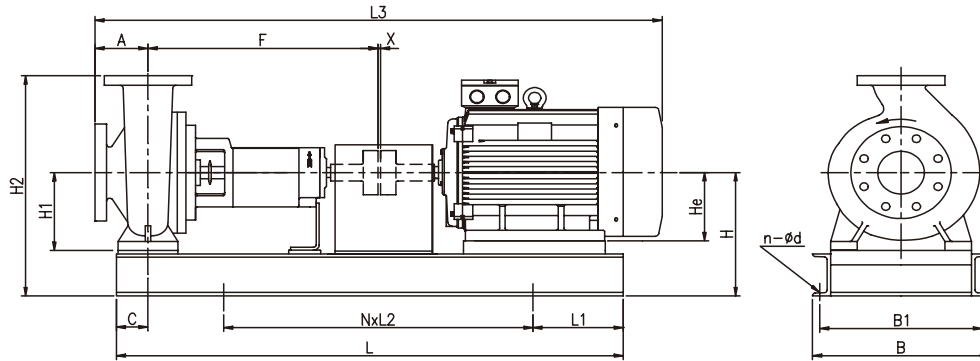
## MODEL PWT End Suction Pump



PUMP SIZE	MOTOR SIZE	A	F	X	H1	H2	H	He	L1	NxL2	L3	L	C	B1	B	n-ød	Wt. (kg)
65-50-160	160M1-2/11KW	80	385	3	132	430	270	160	100	1x800	1086	1000	70	400	440	4-ø15	207
	132S2-2/7.5KW	80	385	3	132	402	242	132	100	1x640	941	840	70	350	390	4-ø15	161
	132S1-2/5.5KW	80	385	3	132	402	242	132	100	1x640	941	840	70	350	390	4-ø15	158
	112M-2/4KW	80	385	2	132	402	242	112	100	1x590	870	790	70	310	350	4-ø15	130
	100L1-4/2.2KW	80	385	2	132	402	242	100	100	1x580	855	780	70	310	350	4-ø15	124
	100L1-4/2.2KW	80	385	2	132	402	242	100	100	1x580	855	780	70	310	350	4-ø15	124
	90L-4/1.5KW	80	385	2	132	402	242	90	100	1x550	810	750	70	310	350	4-ø15	112
	90S-4/1.1KW	80	385	2	132	402	242	90	100	1x550	785	750	70	310	350	4-ø15	109
802-4/0.75KW	80	385	2	132	402	242	80	100	1x500	765	700	70	310	350	4-ø15	102	
80-65-160	160M2-2/15KW	100	385	3	160	450	270	160	100	1x800	1106	1000	70	400	440	4-ø15	226
	160M1-2/11KW	100	385	3	160	450	270	160	100	1x800	1106	1000	70	400	440	4-ø15	216
	132S2-2/7.5KW	100	385	3	160	450	270	132	100	1x640	961	840	70	350	390	4-ø15	170
	132S1-2/5.5KW	100	385	3	160	450	270	132	100	1x640	961	840	70	350	390	4-ø15	167
	112M-2/4KW	100	385	2	160	450	270	112	100	1x590	890	790	70	335	375	4-ø15	142
	100L1-4/2.2KW	100	385	2	160	450	270	100	100	1x580	875	780	70	310	350	4-ø15	136
	90L-4/1.5KW	100	385	2	160	450	270	90	100	1x550	830	750	70	310	350	4-ø15	122
	90S-4/1.1KW	100	385	2	160	450	270	90	100	1x550	805	750	70	310	350	4-ø15	116
100-80-160	180M-2/22KW	100	500	3	160	560	355	180	150	1x840	1336	1140	85	435	485	4-ø19	347
	160L-2/18.5KW	100	500	3	160	540	335	160	150	1x830	1276	1130	85	400	460	4-ø19	298
	160M2-2/15KW	100	500	3	160	540	335	160	150	1x830	1221	1130	85	400	460	4-ø19	281
	160M1-2/11KW	100	500	3	160	540	335	160	150	1x830	1221	1130	85	400	460	4-ø19	271
	132S2-2/7.5KW	100	500	3	160	520	315	132	150	1x740	1076	1040	85	360	410	4-ø19	223
	132S-4/5.5KW	100	500	3	160	520	315	132	150	1x740	1076	1040	85	360	410	4-ø19	220
	112M-4/4KW	100	500	2	160	520	315	112	150	1x620	1005	920	85	360	410	4-ø19	206
	100L2-4/3KW	100	500	2	160	540	335	100	150	1x610	990	910	85	360	410	4-ø19	197
100L1-4/2.2KW	100	500	2	160	540	335	100	150	1x610	990	910	85	360	410	4-ø19	196	
50-32-200	160M1-2/11KW	80	385	3	160	450	270	160	100	1x800	1086	1000	70	400	440	4-ø15	210
	132S2-2/7.5KW	80	385	3	160	450	270	132	100	1x640	941	840	70	350	390	4-ø15	164
	132S1-2/5.5KW	80	385	3	160	450	270	132	100	1x640	941	840	70	350	390	4-ø15	161
	112M-2/4KW	80	385	2	160	450	270	112	100	1x590	870	790	70	310	350	4-ø15	132
	100L2-2/3KW	80	385	2	160	450	270	100	100	1x580	855	780	70	310	350	4-ø15	125
	100L1-4/2.2KW	80	385	2	160	450	270	100	100	1x580	855	780	70	310	350	4-ø15	124
	90L-4/1.5KW	80	385	2	160	450	270	90	100	1x550	810	750	70	310	350	4-ø15	111
	90S-4/1.1KW	80	385	2	160	450	270	90	100	1x550	785	750	70	310	350	4-ø15	111
802-4/0.75KW	80	385	2	160	450	270	80	100	1x500	765	700	70	310	350	4-ø15	105	

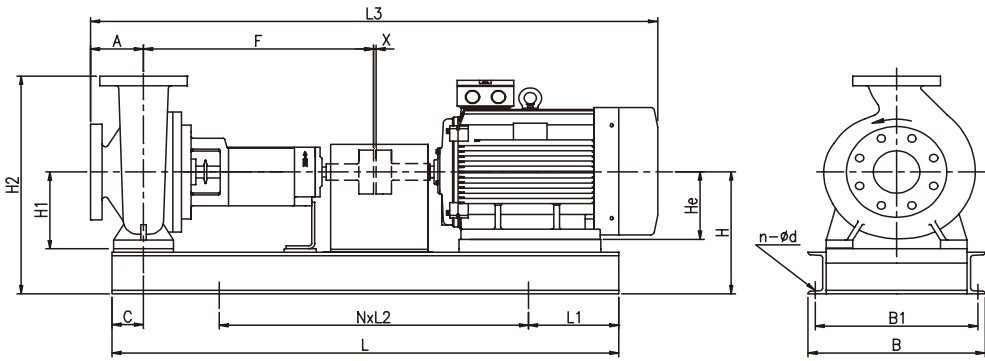


# MODEL PWT End Suction Pump



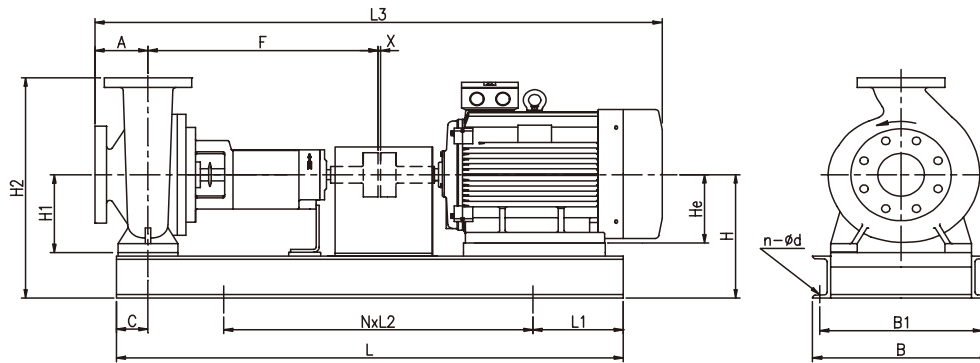
PUMP SIZE	MOTOR SIZE	A	F	X	H1	H2	H	He	L1	N×L2	L3	L	C	B1	B	n-φd	Wt. (kg)
65-40-200	160L-2/18.5KW	100	385	3	160	450	270	160	100	1x800	1161	1000	70	400	440	4-φ15	244
	160M2-2/15KW	100	385	3	160	450	270	160	100	1x800	1106	1000	70	400	440	4-φ15	227
	160M1-2/11KW	100	385	3	160	450	270	160	100	1x800	1106	1000	70	400	440	4-φ15	217
	132S2-2/7.5KW	100	385	3	160	450	270	132	100	1x640	961	840	70	350	390	4-φ15	169
	132S1-2/5.5KW	100	385	3	160	450	270	132	100	1x640	961	840	70	350	390	4-φ15	166
	112M-2/4KW	100	385	3	160	450	270	112	100	1x590	891	790	70	310	350	4-φ15	147
	100L2-4/3KW	100	385	2	160	450	270	100	100	1x580	875	780	70	310	350	4-φ15	136
	100L1-4/2.2KW	100	385	2	160	450	270	100	100	1x580	875	780	70	310	350	4-φ15	135
	90L-4/1.5KW	100	385	2	160	450	270	90	100	1x550	830	750	70	310	350	4-φ15	121
90S-4/1.1KW	100	385	2	160	450	270	90	100	1x550	805	750	70	310	350	4-φ15	115	
80-50-200	200L1-2/30KW	100	385	4	160	510	310	200	100	1x910	1262	1110	70	505	545	4-φ15	361
	180M-2/22KW	100	385	3	160	490	290	180	100	1x800	1221	1000	70	425	465	4-φ15	281
	160L-2/18.5KW	100	385	3	160	470	270	160	100	1x800	1161	1000	70	400	440	4-φ15	246
	160M2-2/15KW	100	385	3	160	470	270	160	100	1x800	1106	1000	70	400	440	4-φ15	229
	160M1-2/11KW	100	385	3	160	470	270	160	100	1x800	1106	1000	70	400	440	4-φ15	219
	132S2-2/7.5KW	100	385	3	160	470	270	132	100	1x640	961	840	70	350	390	4-φ15	172
	132S-4/5.5KW	100	385	3	160	470	270	132	100	1x640	961	840	70	350	390	4-φ15	169
	112M-4/4KW	100	385	2	160	470	270	112	100	1x590	890	790	70	310	350	4-φ15	155
	100L2-4/3KW	100	385	2	160	470	270	100	100	1x580	875	780	70	310	350	4-φ15	146
100L1-4/2.2KW	100	385	2	160	470	270	100	100	1x580	875	780	70	310	350	4-φ15	145	
100-65-200	225M-2/45KW	100	500	4	180	605	380	225	150	1x940	1427	1240	85	515	565	4-φ19	503
	200L2-2/37KW	100	500	4	180	580	355	200	150	1x910	1377	1210	85	475	525	4-φ19	445
	200L1-2/30KW	100	500	4	180	580	355	200	150	1x910	1377	1210	85	475	525	4-φ19	426
	180M-2/22KW	100	500	3	180	560	335	180	150	1x840	1336	1140	85	435	485	4-φ19	363
	160L-2/18.5KW	100	500	3	180	560	335	160	150	1x830	1276	1130	85	400	460	4-φ19	308
	160M2-2/15KW	100	500	3	180	560	335	160	150	1x830	1221	1130	85	400	460	4-φ19	291
	160M-4/11KW	100	500	3	180	560	335	160	150	1x740	1221	1130	85	400	460	4-φ19	287
	132M-4/7.5KW	100	500	3	180	560	335	132	150	1x740	1116	1040	85	400	450	4-φ19	247
	132S-4/5.5KW	100	500	3	180	560	335	132	150	1x740	1076	1040	85	400	450	4-φ19	235
	112M-4/4KW	100	500	2	180	560	335	112	150	1x620	1005	920	85	400	450	4-φ19	210
100L2-4/3KW	100	500	2	180	560	335	100	150	1x610	990	910	85	400	450	4-φ19	201	

# MODEL PWT End Suction Pump



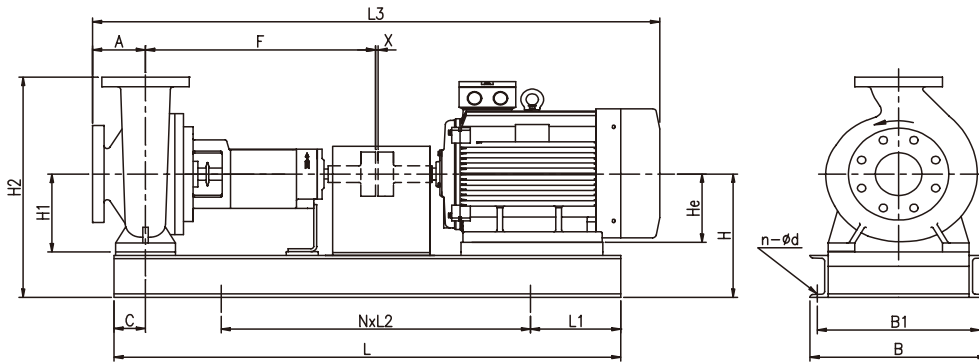
PUMP SIZE	MOTOR SIZE	A	F	X	H1	H2	H	He	L1	N x L2	L3	L	C	B1	B	n-φd	Wt. (kg)
125-80-200	225M-2/45KW	125	500	4	180	630	380	225	150	1x940	1452	1240	85	515	565	4-φ19	512
	200L2-2/37KW	125	500	4	180	605	355	200	150	1x910	1402	1210	85	475	525	4-φ19	454
	200L1-2/30KW	125	500	4	180	605	355	200	150	1x910	1402	1210	85	475	525	4-φ19	435
	180M-2/22KW	125	500	3	180	585	335	180	150	1x840	1361	1140	85	435	485	4-φ19	365
	160L-2/18.5KW	125	500	3	180	585	335	160	150	1x830	1301	1130	85	400	460	4-φ19	330
	160M2-2/15KW	125	500	3	180	585	335	160	150	1x830	1246	1130	85	400	460	4-φ19	313
	132M-4/7.5KW	125	500	3	180	585	335	132	150	1x740	1141	1040	85	400	450	4-φ19	265
	132S-4/5.5KW	125	500	3	180	585	335	132	150	1x740	1101	1040	85	400	450	4-φ19	253
	112M-4/4KW	125	500	2	180	585	335	112	150	1x620	1030	920	85	400	450	4-φ19	226
	100L2-4/3KW	125	500	2	180	585	335	100	150	1x610	1015	910	85	400	450	4-φ19	210
125-100-200	280S-2/75KW	125	500	4	200	715	435	280	150	2x565	1617	1430	85	635	685	6-φ19	745
	250M-2/55KW	125	500	4	200	685	405	250	150	2x525	1542	1340	85	570	620	6-φ19	615
	225M-2/45KW	125	500	4	200	660	380	225	150	1x940	1452	1240	85	515	565	4-φ19	516
	200L2-2/37KW	125	500	4	200	635	355	200	150	1x910	1402	1210	85	475	525	4-φ19	458
	200L1-2/30KW	125	500	4	200	635	355	200	150	1x910	1402	1210	85	475	525	4-φ19	439
	180M-2/22KW	125	500	4	200	635	355	180	150	1x840	1332	1140	85	435	485	4-φ19	388
	160M-4/11KW	125	500	3	200	635	355	160	150	1x830	1246	1130	85	400	460	4-φ19	314
	132M-4/7.5KW	125	500	3	200	635	355	132	150	1x740	1141	1040	85	400	450	4-φ19	261
	132S-4/5.5KW	125	500	3	200	635	355	132	150	1x740	1101	1040	85	400	450	4-φ19	249
	112M-4/4KW	125	500	2	200	635	355	112	150	1x620	1030	920	85	400	450	4-φ19	232
150-125-200	160L-4/15KW	125	500	3	250	805	450	160	200	1x720	1325	1120	100	480	540	4-φ19	485
	160M-4/11KW	125	500	3	250	805	450	160	200	1x720	1275	1120	100	480	540	4-φ19	465
50-32-250	160L-2/18.5KW	100	500	3	180	560	335	160	150	1x830	1276	1130	85	400	460	4-φ19	297
	160M2-2/15KW	100	500	3	180	560	335	160	150	1x830	1221	1130	85	400	460	4-φ19	280
	160M1-2/11KW	100	500	3	180	560	335	160	150	1x830	1221	1130	85	400	460	4-φ19	270
	132S2-2/7.5KW	100	500	3	180	560	335	132	150	1x740	1076	1040	85	400	450	4-φ19	221
	132S-4/5.5KW	100	500	3	180	560	335	132	150	1x740	1076	1040	85	400	450	4-φ19	218
	112M-4/4KW	100	500	2	180	560	335	112	150	1x740	1005	910	85	400	450	4-φ19	195
	100L2-4/3KW	100	500	2	180	560	335	100	150	1x610	990	910	85	400	450	4-φ19	186
	100L1-4/2.2KW	100	500	2	180	560	335	100	150	1x610	990	910	85	400	450	4-φ19	185
	90L-4/1.5KW	100	500	2	180	560	335	90	150	1x580	945	880	85	400	450	4-φ19	173
	65-40-250	225M-2/45KW	100	500	4	180	605	380	225	150	1x940	1427	1240	85	515	565	4-φ19
200L2-2/37KW		100	500	4	180	580	355	200	150	1x910	1377	1210	85	475	525	4-φ19	440
200L1-2/30KW		100	500	4	180	580	355	200	150	1x910	1377	1210	85	475	525	4-φ19	421
180M-2/22KW		100	500	3	180	560	335	180	150	1x840	1336	1140	85	435	485	4-φ19	344
160L-2/18.5KW		100	500	3	180	560	335	160	150	1x830	1276	1130	85	400	460	4-φ19	309
160M2-2/15KW		100	500	3	180	560	335	160	150	1x830	1221	1130	85	400	460	4-φ19	292
160M1-2/11KW		100	500	3	180	560	335	160	150	1x830	1221	1130	85	400	460	4-φ19	282
132S2-2/7.5KW		100	500	3	180	560	335	132	150	1x740	1076	1040	85	400	450	4-φ19	237
100L2-4/3KW		100	500	2	180	560	335	100	150	1x610	990	910	85	400	450	4-φ19	193
100L1-4/2.2KW		100	500	2	180	560	335	100	150	1x610	990	910	85	400	450	4-φ19	192
90L-4/1.5KW		100	500	2	180	560	335	90	150	1x580	945	880	85	400	450	4-φ19	180

# MODEL PWT End Suction Pump



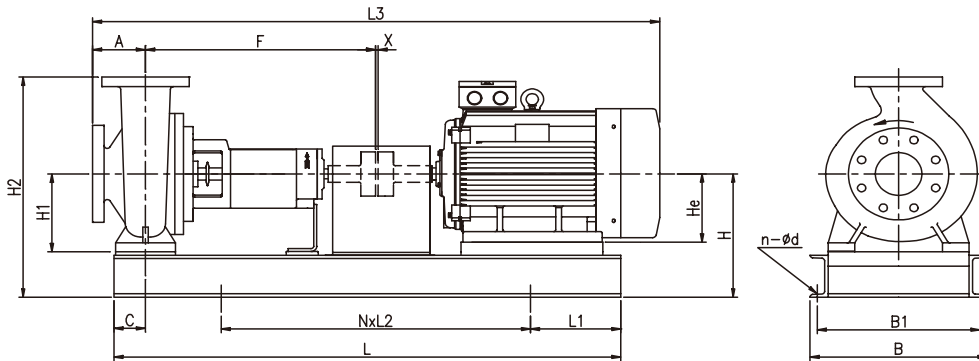
PUMP SIZE	MOTOR SIZE	A	F	X	H1	H2	H	He	L1	NxL2	L3	L	C	B1	B	n-Ød	Wt. (kg)
80-50-250	200L2-2/37KW	125	500	4	180	600	355	200	150	1x910	1402	1210	85	475	525	4-Ø19	453
	200L1-2/30KW	125	500	4	180	600	355	200	150	1x910	1402	1210	85	475	525	4-Ø19	434
	180M-2/22KW	125	500	3	180	580	335	180	150	1x840	1361	1140	85	435	485	4-Ø19	356
	160L-2/18.5KW	125	500	3	180	580	335	160	150	1x830	1301	1130	85	400	460	4-Ø19	321
	160M2-2/15KW	125	500	3	180	580	335	160	150	1x830	1246	1130	85	400	460	4-Ø19	304
	160M-4/11KW	125	500	3	180	580	335	160	150	1x830	1246	1130	85	410	460	4-Ø19	300
	132M-4/7.5KW	125	500	3	180	580	335	132	150	1x740	1141	1040	85	400	450	4-Ø19	249
	132S-4/5.5KW	125	500	3	180	580	335	132	150	1x740	1101	1040	85	400	450	4-Ø19	237
	112M-4/4KW	125	500	2	180	580	335	112	150	1x620	1030	920	85	400	450	4-Ø19	212
	100L2-4/3KW	125	500	2	180	580	335	100	150	1x610	1015	910	85	400	450	4-Ø19	203
100L1-4/2.2KW	125	500	2	180	580	335	100	150	1x610	1015	910	85	400	450	4-Ø19	202	
100-65-250	280S-2/75KW	125	500	4	200	685	435	280	150	2x565	1617	1430	85	635	685	6-Ø19	744
	250M-2/55KW	125	500	4	200	655	405	250	150	2x520	1542	1340	85	570	620	6-Ø19	614
	225M-2/45KW	125	500	4	200	630	380	225	150	1x940	1452	1240	85	515	565	6-Ø19	515
	200L2-2/37KW	125	500	4	200	605	355	200	150	1x910	1402	1210	85	475	525	6-Ø19	457
	200L1-2/30KW	125	500	4	200	605	355	200	150	1x910	1402	1210	85	475	525	6-Ø19	438
	180M-2/22KW	125	500	4	200	605	355	180	150	1x840	1332	1140	85	435	485	6-Ø19	387
	160M-4/11KW	125	500	3	200	605	355	160	150	1x830	1246	1130	85	400	460	6-Ø19	327
	132M-4/7.5KW	125	500	3	200	605	355	132	150	1x740	1141	1040	85	400	450	6-Ø19	269
132S-4/5.5KW	125	500	3	200	605	355	132	150	1x740	1101	1040	85	400	450	6-Ø19	247	
125-80-250	280M-2/90KW	125	500	4	225	715	435	280	150	2x565	1667	1430	85	635	685	6-Ø19	785
	280S-2/75KW	125	500	4	225	715	435	280	150	2x565	1617	1430	85	635	685	6-Ø19	755
	250M-2/55KW	125	500	4	225	685	405	250	150	2x520	1542	1340	85	570	620	6-Ø19	625
	225M-2/45KW	125	500	4	225	660	380	225	150	1x940	1452	1240	85	515	565	4-Ø19	525
	200L2-2/37KW	125	500	4	225	660	380	200	150	1x910	1402	1210	85	475	525	4-Ø19	467
	200L1-2/30KW	125	500	4	225	660	380	200	150	1x910	1332	1210	85	475	525	4-Ø19	448
	160L-4/15KW	125	500	3	225	660	380	160	150	1x830	1301	1130	85	400	460	4-Ø19	343
	160M-4/11KW	125	500	3	225	660	380	160	150	1x830	1246	1130	85	400	460	4-Ø19	323
	132M-4/7.5KW	125	500	3	225	660	380	132	150	1x740	1141	1040	85	400	450	4-Ø19	273
132S-4/5.5KW	125	500	3	225	660	380	132	150	1x740	1101	1040	85	400	450	4-Ø19	261	
125-100-250	315M-2/132KW	140	530	4	225	820	540	315	200	2x600	1867	1600	100	825	885	6-Ø19	1314
	315S-2/110KW	140	530	4	225	820	540	315	200	2x600	1837	1600	100	825	885	6-Ø19	1264
	280M-2/90KW	140	530	4	225	785	505	280	200	2x540	1712	1480	100	635	695	6-Ø19	867
	280S-2/75KW	140	530	4	225	785	505	280	200	2x540	1662	1480	100	635	695	6-Ø19	837
	250M-2/55KW	140	530	4	225	730	450	250	200	1x980	1587	1380	100	570	630	6-Ø19	707
	225M-2/45KW	140	530	4	225	705	425	225	200	1x920	1497	1310	100	515	575	4-Ø19	624
	180L-4/22KW	140	530	3	225	730	450	180	200	1x820	1426	1220	100	480	540	4-Ø19	472
	180M-4/18.5KW	140	530	3	225	730	450	180	200	1x820	1406	1220	100	480	540	4-Ø19	458
	160L-4/15KW	140	530	3	225	730	450	160	200	1x780	1346	1180	100	480	540	4-Ø19	424
	160M-4/11KW	140	530	3	225	730	450	160	200	1x780	1291	1180	100	480	540	4-Ø19	404
	132M-4/7.5KW	140	530	3	225	730	450	132	200	1x680	1186	1080	100	480	540	4-Ø19	360

## MODEL PWT End Suction Pump



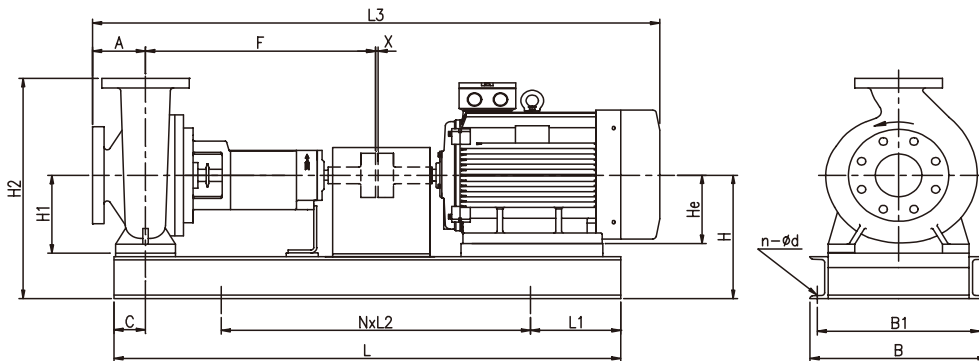
PUMP SIZE	MOTOR SIZE	A	F	X	H1	H2	H	He	L1	NxL2	L3	L	C	B1	B	n-φd	Wt. (kg)
150-125-250	225S-4/37KW	140	530	4	250	805	450	225	200	1x910	1492	1310	100	515	575	4-φ19	639
	200L-4/30KW	140	530	4	250	805	450	200	200	1x850	1447	1250	100	480	540	4-φ19	571
	180L-4/22KW	140	530	3	250	805	450	180	200	1x820	1426	1220	100	480	540	4-φ19	496
	180M-4/18.5KW	140	530	3	250	805	450	180	200	1x820	1406	1220	100	480	540	4-φ19	482
	160L-4/15KW	140	530	3	250	805	450	160	200	1x780	1346	1180	100	480	540	4-φ19	448
	160M-4/11KW	140	530	3	250	805	450	160	200	1x780	1346	1180	100	480	540	4-φ19	428
200-150-250	225M-4/45KW	160	530	4	280	855	480	225	200	1x910	1542	1310	100	580	640	4-φ19	710
	225S-4/37KW	160	530	4	280	855	480	225	200	1x910	1512	1310	100	580	640	4-φ19	675
	200L-4/30KW	160	530	4	280	855	480	200	200	1x970	1467	1370	100	630	690	4-φ19	615
	180L-4/22KW	160	530	3	280	855	480	180	200	1x820	1446	1220	100	580	640	4-φ19	549
200-200-250	225S-4/37KW	180	625	4	315	965	515	225	200	2x515	1627	1430	120	630	690	6-φ24	708
	200L-4/30KW	180	625	4	315	965	515	200	200	1x970	1582	1370	120	630	690	4-φ24	653
	180L-4/22KW	180	625	3	315	965	515	180	200	1x930	1561	1330	120	630	690	4-φ24	584
	180M-4/18.5KW	180	625	3	315	965	515	180	200	1x930	1541	1330	120	630	690	4-φ24	570
	160L-4/15KW	180	625	3	315	965	515	160	200	1x890	1481	1290	120	630	690	4-φ24	523
	160M-4/11KW	180	625	3	315	965	515	160	200	1x890	1426	1290	120	630	690	4-φ24	503
65-40-315	225M-2/45KW	125	500	4	200	630	380	225	150	1x940	1452	1240	85	515	565	4-φ19	520
	200L2-2/37KW	125	500	4	200	605	355	200	150	1x910	1402	1210	85	475	525	4-φ19	462
	200L1-2/30KW	125	500	4	200	605	355	200	150	1x910	1402	1210	85	475	525	4-φ19	443
	180M-2/22KW	125	500	3	200	605	355	180	150	1x840	1361	1140	85	435	485	4-φ19	369
	160L-2/18.5KW	125	500	3	200	605	355	160	150	1x830	1301	1130	85	400	460	4-φ19	334
	160M2-2/15KW	125	500	3	200	605	355	160	150	1x830	1301	1130	85	400	460	4-φ19	317
	160M-4/11KW	125	500	3	200	605	355	160	150	1x830	1246	1130	85	400	460	4-φ19	313
	132M-4/7.5KW	125	500	3	200	605	355	132	150	1x740	1141	1040	85	400	450	4-φ19	273
	132S-4/5.5KW	125	500	3	200	605	355	132	150	1x740	1101	1040	85	400	450	4-φ19	261
	80-50-315	315S-2/110KW	125	500	4	225	750	470	315	150	2x600	1792	1500	85	715	765	6-φ19
280M-2/90KW		125	500	4	225	715	435	280	150	2x565	1667	1430	85	635	685	6-φ19	794
280S-2/75KW		125	500	4	225	715	435	280	150	2x565	1617	1430	85	635	685	6-φ19	764
250M-2/55KW		125	500	4	225	685	405	250	150	2x520	1542	1340	85	570	620	6-φ19	620
225M-2/45KW		125	500	4	225	660	380	225	150	1x940	1452	1240	85	515	565	4-φ19	537
200L2-2/37KW		125	500	4	225	660	380	200	150	1x910	1402	1210	85	475	525	4-φ19	479
200L1-2/30KW		125	500	4	225	660	380	200	150	1x910	1402	1210	85	475	525	4-φ19	460
180M-2/22KW		125	500	3	225	660	380	180	150	1x840	1361	1140	85	435	485	4-φ19	409
160L-2/18.5KW		125	500	3	225	660	380	160	150	1x830	1301	1130	85	400	460	4-φ19	374
160L-4/15KW		125	500	3	225	660	380	160	150	1x830	1301	1130	85	400	460	4-φ19	339
160M-4/11KW		125	500	3	225	660	380	160	150	1x830	1246	1130	85	400	460	4-φ19	319
132M-4/7.5KW		125	500	3	225	660	380	132	150	1x740	1141	1040	85	400	450	4-φ19	279

# MODEL PWT End Suction Pump



PUMP SIZE	MOTOR SIZE	A	F	X	H1	H2	H	He	L1	N x L2	L3	L	C	B1	B	n-φd	Wt. (kg)
100-65-315	315M-2/132KW	125	530	4	225	820	540	315	270	2x600	1922	1670	100	825	885	6-φ24	1321
	315S-2/110KW	125	530	4	225	820	540	315	270	2x600	1892	1670	100	825	885	6-φ24	1271
	280M-2/90KW	125	530	4	225	785	505	280	270	2x540	1767	1550	100	635	695	6-φ24	875
	280S-2/75KW	125	530	4	225	785	505	280	270	2x540	1717	1550	100	635	695	6-φ24	845
	250M-2/55KW	125	530	4	225	730	450	250	270	1x980	1642	1450	100	570	630	4-φ24	715
	200L2-2/37KW	125	530	4	225	705	425	200	270	1x850	1522	1320	100	480	540	4-φ24	555
	180L-4/22KW	125	530	3	225	705	425	180	200	1x820	1411	1220	100	480	540	4-φ24	478
	180M-4/18.5KW	125	530	3	225	705	425	180	200	1x820	1391	1220	100	480	540	4-φ24	464
	160L-4/15KW	125	530	3	225	730	450	160	200	1x780	1331	1180	100	480	540	4-φ24	430
	160M-4/11KW	125	530	3	225	730	450	160	200	1x780	1276	1180	100	480	540	4-φ24	406
132M-4/7.5KW	125	530	3	225	730	450	132	200	1x680	1922	1670	100	480	540	4-φ24	366	
125-80-315	315M-2/132KW	125	530	4	250	830	515	315	270	2x600	1892	1670	100	825	885	6-φ24	1326
	315S-2/110KW	125	530	4	250	830	515	315	270	2x600	1767	1550	100	825	885	6-φ24	1276
	280M-2/90KW	125	530	4	250	795	480	280	270	2x540	1717	1550	100	635	695	6-φ24	880
	280S-2/75KW	125	530	4	250	795	480	280	270	2x540	1642	1450	100	635	695	6-φ24	850
	250M-2/55KW	125	530	4	250	765	450	250	270	1x980	1552	1350	100	570	630	4-φ24	720
	180L-4/22KW	125	530	3	250	765	450	180	200	1x820	1411	1220	100	480	540	4-φ24	484
	180M-4/18.5KW	125	530	3	250	765	450	180	200	1x820	1391	1220	100	480	540	4-φ24	470
	160L-4/15KW	125	530	3	250	765	450	160	200	1x780	1331	1180	100	480	540	4-φ24	436
125-100-315	355M-2/250KW	140	530	4	250	900	555	355	270	2x680	2247	1830	100	821	881	6-φ24	2052
	315L2-2/200KW	140	530	4	250	860	515	315	270	2x600	1937	1670	100	825	885	6-φ24	1524
	315L1-2/160KW	140	530	4	250	860	515	315	270	2x600	1937	1670	100	825	885	6-φ24	1434
	315M-2/132KW	140	530	4	250	860	515	315	270	2x600	1937	1670	100	825	885	6-φ24	1324
	315S-2/110KW	140	530	4	250	860	515	315	270	2x600	1907	1670	100	824	884	6-φ24	1274
	280M-2/90KW	140	530	4	250	825	480	280	270	2x540	1782	1550	100	635	695	6-φ24	883
	280S-2/75KW	140	530	4	250	825	480	280	270	2x540	1732	1550	100	635	695	6-φ24	853
	225M-4/45KW	140	530	4	250	795	450	225	200	1x910	1522	1310	100	515	575	4-φ24	665
	225S-4/37KW	140	530	4	250	795	450	225	200	1x910	1492	1310	100	515	575	4-φ24	630
	200L-4/30KW	140	530	4	250	795	450	200	200	1x850	1447	1250	100	480	540	4-φ24	557
	180L-4/22KW	140	530	3	250	795	450	180	200	1x820	1426	1220	100	480	540	4-φ24	487
	180M-4/18.5KW	140	530	3	250	795	450	180	200	1x820	1406	1220	100	480	540	4-φ24	473
	160L-4/15KW	140	530	3	250	795	450	160	200	1x780	1346	1180	100	480	540	4-φ24	439

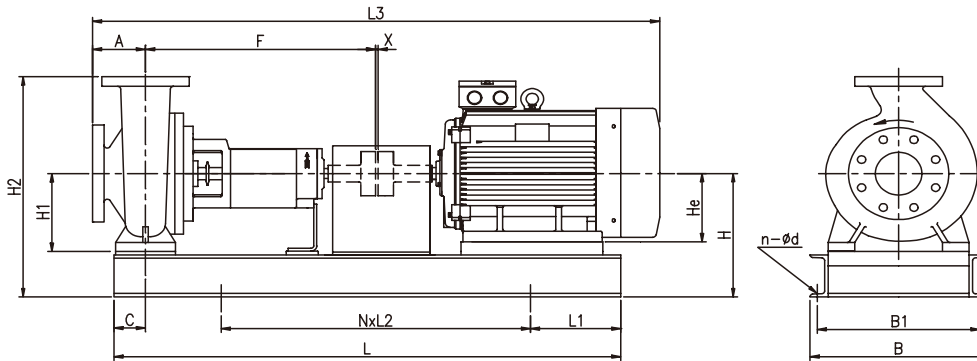
# MODEL PWT End Suction Pump



PUMP SIZE	MOTOR SIZE	A	F	X	H1	H2	H	He	L1	NxL2	L3	L	C	B1	B	n-φd	Wt. (kg)
150-125-315	250M-4/55KW	140	530	4	280	835	480	250	200	1x980	1587	1380	100	580	640	4-φ24	790
	225M-4/45KW	140	530	4	280	835	480	225	200	1x910	1522	1310	100	580	640	4-φ24	727
	225S-4/37KW	140	530	4	280	835	480	225	200	1x910	1492	1310	100	580	640	4-φ24	692
	200L-4/30KW	140	530	4	280	835	480	200	200	1x830	1447	1230	100	580	640	4-φ24	620
	180L-4/22KW	140	530	3	280	835	480	180	200	1x820	1426	1220	100	580	640	4-φ24	551
200-150-315	280M-4/90KW	160	625	4	315	915	515	280	200	2x610	1827	1620	120	635	695	6-φ24	1031
	280S-4/75KW	160	625	4	315	915	515	280	200	2x610	1777	1620	120	635	695	6-φ24	941
	250M-4/55KW	160	625	4	315	915	515	250	200	2x550	1702	1500	120	630	690	6-φ24	799
	225M-4/45KW	160	625	4	315	915	515	225	200	2x515	1637	1430	120	630	690	6-φ24	736
	225S-4/37KW	160	625	4	315	915	515	225	200	2x515	1607	1430	120	630	690	6-φ24	701
250-200-315	280M-4/90KW	200	625	4	355	1005	555	280	200	2x610	1867	1620	120	635	695	6-φ24	1072
	280S-4/75KW	200	625	4	355	1005	555	280	200	2x610	1817	1620	120	635	695	6-φ24	982
	250M-4/55KW	200	625	4	355	1005	555	250	200	2x550	1742	1500	120	630	690	6-φ24	857
	225M-4/45KW	200	625	4	355	1005	555	225	200	2x515	1677	1430	120	630	690	6-φ24	794
	225S-4/37KW	200	625	4	355	1005	555	225	200	2x515	1647	1430	120	630	690	6-φ24	759
	200L-4/30KW	200	625	4	355	1005	555	200	200	1x970	1602	1370	120	630	690	4-φ24	704
300-250-315	280M-4/90KW	250	625	4	400	1150	600	280	200	2x610	1917	1620	140	760	820	6-φ24	1175
	280S-4/75KW	250	625	4	400	1150	600	280	200	2x610	1867	1620	140	760	820	6-φ24	1085
	250M-4/55KW	250	625	4	400	1150	600	250	200	2x550	1792	1500	140	760	820	6-φ24	943
	225M-4/45KW	250	625	4	400	1150	600	225	200	2x515	1727	1430	140	760	820	6-φ24	880
	225S-4/37KW	250	625	4	400	1150	600	225	200	2x515	1697	1430	140	760	820	6-φ24	845
350-300-315	315L1-4/160KW	250	710	4	400	1200	600	315	200	2x720	2207	1840	120	835	895	6-φ24	1727
	315M-4/132KW	250	710	4	400	1200	600	315	200	2x720	2207	1840	120	835	895	6-φ24	1663
	315S-4/110KW	250	710	4	400	1200	600	315	200	2x720	2177	1840	120	835	895	6-φ24	1583
125-80-400	355M-2/250KW	125	685	4	280	910	555	355	200	2x735	1892	1500	140	830	890	6-φ24	2230
	315L2-2/200KW	125	685	4	280	870	515	315	200	2x700	2130	1880	120	730	790	6-φ24	1840
	315L1-2/160KW	125	685	4	280	870	515	315	200	2x700	2130	1880	120	730	790	6-φ24	1750
	315M-2/132KW	125	685	4	280	870	515	315	200	2x700	2130	1880	120	730	790	6-φ24	1660
	225M-4/45KW	125	530	4	280	835	480	225	200	1x910	1507	1310	100	515	575	4-φ24	695
	225S-4/37KW	125	530	4	280	835	480	225	200	1x910	1477	1310	100	515	575	4-φ24	660
	200L-4/30KW	125	530	4	280	835	480	200	200	1x850	1432	1250	100	515	575	4-φ24	605
	180L-4/22KW	125	530	3	280	835	480	180	200	1x820	1411	1220	100	515	575	4-φ24	536
	180M-4/18.5KW	125	530	3	280	835	480	180	200	1x820	1391	1220	100	515	575	4-φ24	522
	160L-4/15KW	125	530	3	280	835	480	160	200	1x780	1331	1180	100	515	575	4-φ24	488
160M-4/11KW	125	530	3	280	835	480	160	200	1x780	1276	1180	100	515	575	4-φ24	468	

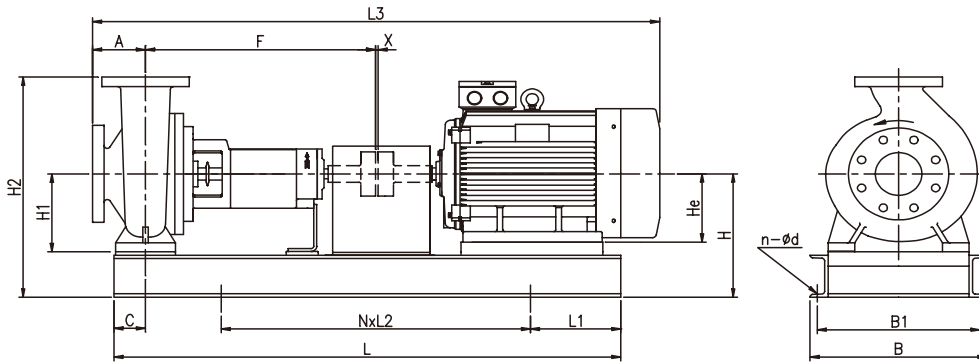


# MODEL PWT End Suction Pump



PUMP SIZE	MOTOR SIZE	A	F	X	H1	H2	H	He	L1	NxL2	L3	L	C	B1	B	n-∅d	Wt. (kg)
125-100-400	355L1-2/280KW	140	685	4	295	930	555	355	240	2x760	2265	1960	120	830	890	6-∅24	2490
	355M-2/250KW	140	685	4	295	930	555	355	240	2x760	2265	1960	120	830	890	6-∅24	2310
	315L2-2/200KW	140	685	4	295	890	515	355	240	2x725	2045	1960	120	830	890	6-∅24	1920
	315L1-2/160KW	140	685	4	295	890	515	355	240	2x725	2045	1960	120	830	890	6-∅24	1810
	315M-2/132KW	140	685	4	295	890	515	355	240	2x725	2045	1960	120	830	890	6-∅24	1730
	250M-4/55KW	140	530	4	280	855	480	250	200	1x980	1587	1380	100	580	640	4-∅24	791
	225M-4/45KW	140	530	4	280	855	480	225	200	1x910	1522	1310	100	580	640	4-∅24	728
	225S-4/37KW	140	530	4	280	855	480	225	200	1x910	1492	1310	100	580	640	4-∅24	693
	200L-4/30KW	140	530	4	280	855	480	200	200	1x830	1447	1230	100	580	640	4-∅24	619
	180L-4/22KW	140	530	3	280	855	480	180	200	1x820	1426	1220	100	580	640	4-∅24	552
	180M-4/18.5KW	140	530	3	280	855	480	180	200	1x820	1406	1220	100	580	640	4-∅24	538
160L-4/15KW	140	530	3	280	855	480	160	200	1x780	1331	1180	100	515	575	4-∅24	504	
150-125-400	315S-4/110KW	140	530	4	315	915	515	315	200	2x600	1947	1600	100	825	885	6-∅24	1350
	280M-4/90KW	140	530	4	315	915	515	280	200	2x540	1712	1480	100	635	695	6-∅24	1003
	280S-4/75KW	140	530	4	315	915	515	280	200	2x540	1662	1480	100	635	695	6-∅24	913
	250M-4/55KW	140	530	4	315	915	515	250	200	1x980	1587	1380	100	580	640	4-∅24	788
	225M-4/45KW	140	530	4	315	915	515	225	200	1x910	1522	1310	100	580	640	4-∅24	725
	225S-4/37KW	140	530	4	315	915	515	225	200	1x910	1492	1310	100	580	640	4-∅24	690
200-150-400	315M-4/132KW	160	625	4	315	965	515	315	200	2x675	2092	1750	120	825	885	6-∅24	1494
	315S-4/110KW	160	625	4	315	965	515	315	200	2x675	2062	1750	120	825	885	6-∅24	1414
	280M-4/90KW	160	625	4	315	965	515	280	200	2x610	1827	1620	120	635	695	6-∅24	1081
	280S-4/75KW	160	625	4	315	965	515	280	200	2x610	1777	1620	120	635	695	6-∅24	991
	250M-4/55KW	160	625	4	315	965	515	250	200	2x550	1702	1500	120	630	690	6-∅24	855
250-200-400	315L1-4/160KW	180	625	4	355	1055	555	315	200	2x675	2112	1750	120	825	885	6-∅24	1623
	315M-4/132KW	180	625	4	355	1055	555	315	200	2x675	2112	1750	120	825	885	6-∅24	1563
	315S-4/110KW	180	625	4	355	1055	555	315	200	2x675	2082	1750	120	825	885	6-∅24	1483
	280M-4/90KW	180	625	4	355	1055	555	280	200	2x610	1847	1620	120	635	695	6-∅24	1149
	280S-4/75KW	180	625	4	355	1055	555	280	200	2x610	1797	1620	120	635	695	6-∅24	1059
	250M-4/55KW	180	625	4	355	1055	555	250	200	2x550	1722	1500	120	630	690	6-∅24	917
300-250-400	315L1-4/160KW	200	710	4	375	1125	575	315	200	2x720	2207	1840	140	835	895	6-∅24	1733
	315M-4/132KW	200	710	4	375	1125	575	315	200	2x720	2207	1840	140	835	895	6-∅24	1673
	315S-4/110KW	200	710	4	375	1125	575	315	200	2x720	2177	1840	140	835	895	6-∅24	1593
	280M-4/90KW	200	710	4	375	1125	575	280	200	2x650	1942	1700	140	825	885	6-∅24	1256
	280S-4/75KW	200	710	4	375	1125	575	280	200	2x650	1892	1700	140	825	885	6-∅24	1166

## MODEL PWT End Suction Pump



PUMP SIZE	MOTOR SIZE	A	F	X	H1	H2	H	He	L1	N×L2	L3	L	C	B1	B	n-φd	Wt. (kg)
350-300-400	355M-4/250KW	240	710	4	450	1300	650	355	200	2x800	2437	2000	170	975	1035	6-φ24	1342
	315L2-4/200KW	240	710	4	450	1300	650	315	200	2x720	2247	1840	170	835	895	6-φ24	1892
	315L1-4/160KW	240	710	4	450	1300	650	315	200	2x720	2247	1840	170	835	895	6-φ24	1792
	315M-4/132KW	240	710	4	450	1300	650	315	200	2x720	2247	1840	170	835	895	6-φ24	1732
	315S-4/110KW	240	710	4	450	1300	650	315	200	2x700	2217	1840	170	835	895	6-φ24	1652
	280M-4/90KW	240	710	4	450	1300	650	280	200	2x650	1982	1700	170	825	885	6-φ24	1316
200-150-500	315L2-4/200KW	180	625	4	375	1075	575	315	200	2x675	2112	1750	120	825	885	6-φ24	1736
	315L1-4/160KW	180	625	4	375	1075	575	315	200	2x675	2112	1750	120	825	885	6-φ24	1636
	315M-4/132KW	180	625	4	375	1075	575	315	200	2x675	2112	1750	120	825	885	6-φ24	1576
	315S-4/110KW	180	625	4	375	1075	575	315	200	2x675	2082	1750	120	825	885	6-φ24	1496
	280M-4/90KW	180	625	4	375	1075	575	280	200	2x610	1847	1620	120	635	695	6-φ24	1162
	280S-4/75KW	180	625	4	375	1075	575	280	200	2x610	1797	1620	120	635	695	6-φ24	1072
250M-4/55KW	180	625	4	375	1075	575	250	200	2x550	1722	1500	120	630	690	6-φ24	930	
250-200-500	355M-4/250KW	200	710	4	400	1150	600	355	200	2x755	2437	1910	120	830	890	6-φ24	2384
	315L2-4/200KW	200	710	4	400	1150	600	315	200	2x720	2207	1840	120	835	895	6-φ24	1827
	315L1-4/160KW	200	710	4	400	1150	600	315	200	2x720	2207	1840	120	835	895	6-φ24	1727
	315M-4/132KW	200	710	4	400	1150	600	315	200	2x720	2207	1840	120	835	895	6-φ24	1663
	315S-4/110KW	200	710	4	400	1150	600	315	200	2x720	2177	1840	120	835	895	6-φ24	1583
	280M-4/90KW	200	710	4	400	1150	600	280	200	2x645	1942	1690	120	825	885	6-φ24	1253
280S-4/75KW	200	710	4	400	1150	600	280	200	2x645	1892	1690	120	825	885	6-φ24	1163	
300-250-500	355L-4/315KW	200	710	4	425	1245	625	355	200	2x800	2437	2000	170	975	1035	6-φ24	2664
	355M-4/250KW	200	710	4	425	1245	625	355	200	2x800	2437	2000	170	975	1035	6-φ24	2514
	315L2-4/200KW	200	710	4	425	1245	625	315	200	2x720	2207	1840	140	835	895	6-φ24	1956
	315L1-4/160KW	200	710	4	425	1245	625	315	200	2x720	2207	1840	140	835	895	6-φ24	1856
	315M-4/132KW	200	710	4	425	1245	625	315	200	2x720	2207	1840	140	835	895	6-φ24	1796
	315S-4/110KW	200	710	4	425	1245	625	315	200	2x720	2177	1840	140	835	895	6-φ24	1716
280M-4/90KW	200	710	4	425	1245	625	280	200	2x650	1942	1700	140	825	885	6-φ24	1379	
350-300-500	355L-4/315KW	250	710	4	450	1350	650	355	200	2x800	2487	2000	170	975	1035	6-φ24	2737
	355M-4/250KW	250	710	4	450	1350	650	355	200	2x800	2487	2000	170	975	1035	6-φ24	2587
	315L2-4/200KW	250	710	4	450	1350	650	315	200	2x735	2257	1870	170	975	1035	6-φ24	2029
	315L1-4/160KW	250	710	4	450	1350	650	315	200	2x735	2257	1870	170	975	1035	6-φ24	1929
	315M-4/132KW	250	710	4	450	1350	650	315	200	2x735	2257	1870	170	975	1035	6-φ24	1869
	315S-4/110KW	250	710	4	450	1350	650	315	200	2x735	2227	1870	170	975	1035	6-φ24	1789



## Parts of reference list

ASE Group, Shanghai, China

Alcatel – Lucent, Shanghai, China

FIAT , Shanghai, China

AMAT, Xi'an, China

Tisco, Taiyuan, China

Guodian Corporation, Handan, China

Sinopec, Zhenhai, China

Huaneng Power, Yuhuan, China

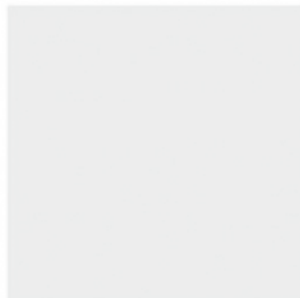
Zheneng Electric power, Leqing, China

Guodian Corporation, Qingshan, China

Sinopec seawater treatment, Dalian, China

Liuheng seawater treatment, Zhejiang, China (biggest in China)

Dagang seawater treatment, Tianjin, China (biggest in Asia)





### **PENTAIR Asia Pacific**

21F, Cloud Nine Plaza No. 1118 West Yan'an Road Shanghai,  
China, 200052

Tel: +86-21-32114588

Fax: +86-21-32114580

Web: [www.pentair.com](http://www.pentair.com)

### **PENTAIR Wuxi Factory**

No. 10, Jiaye Road, Wuxi City  
Jiangsu Province, China

P.C.: 214124