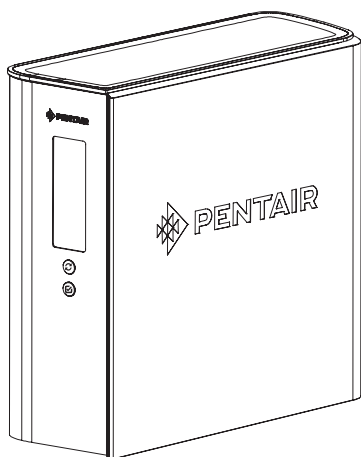




F-SERIES 3-STAGE WATER FILTRATION SYSTEM USER'S MANUAL

Applicable Models: F1, F2



CONTENTS

1.	Precautions and General Notes	2
2.	Parts Included	3
3.	Product Information	3
3.1.	Product Structure	3
3.2.	Product Specifications and Performance	4
3.3.	Introduction to Main Parts	5
4.	Installation and Commissioning	6
4.1	Schematic Diagram	6
4.2	Tools and Materials	6
4.3	Installation Steps	6
5.	Operating Instructions	7
5.1	Daily Use	7
5.2	Filter Monitoring System	7
6.	Maintenance	8
6.1	Filter Cartridge Replacement	8
6.2	Batteries Replacement	8
7.	Troubleshooting	9
8.	Terms and Conditions of Warranty	10
9.	Maintenance Records	10

1. PRECAUTIONS AND GENERAL NOTES

CAUTION

Please read this instruction manual carefully before installing and using this product. If you encounter any problems that are not addressed in this manual, please contact your local Pentair's distributor.

⚠WARNING:

- Do not use with water that is microbiologically unsafe or of unknown quality without adequate disinfection before or after the system.
- Do not disassemble or modify the water filtration system.
- Before installation, please ensure that the equipment is turned off and that the cold water supply valve is closed.
- Before using the water filtration system, make sure that the cold water valve is open, and that there is water pressure in the pipe network (water supply available).
- Do not put anything on top of the machine as the object or cover might prevent heat from dissipating and result in equipment damage or cause a fire.
- If the pressure exceeds 50PSI, a pressure reduction device must be installed.
- Avoid installing this product to pipelines with water hammer effects for extended period of time. Otherwise, an additional pressure control valve must be installed.
- Do not place the product under direct sunlight, or in places with high temperature or outdoors.
- The installation and maintenance of this product must be carried out by professional plumber designated by an authorized Pentair's distributor.
- The water filter must be installed to the cold water supply line.
- This product contains electronic components. Do not immerse or expose to water.
- For cold water use only.
- Make certain that installation complies with all state and local laws and regulations.
- The system must be maintained according to manufacturer's recommendations, including replacement of filter cartridges. The contaminants or other substances removed or reduced by the selected cartridge are not necessarily in your water. Ask your local water municipality for a copy of their water analysis, or have your water tested by reputable water testing lab.
- After prolonged periods of non-use (such as during a vacation) it is recommended that the system be flushed thoroughly. Let water run for 5-6 minutes before using.
- The filter cartridges used with this system have a limited service life. Changes in taste, odour, and/or flow of the filtered water being filtered indicate the cartridge should be replaced.
- It is normal small amount of carbon particles may occasionally appear after installation or filter replacement, Flush the system until the carbon particles are cleared.
- During installation, consider the convenience of use and the room for movement during maintenance
- If you have any questions after installation, please contact your local Pentair authorized distributor.

2. PARTS INCLUDED

See checklist below for the parts included with your system:

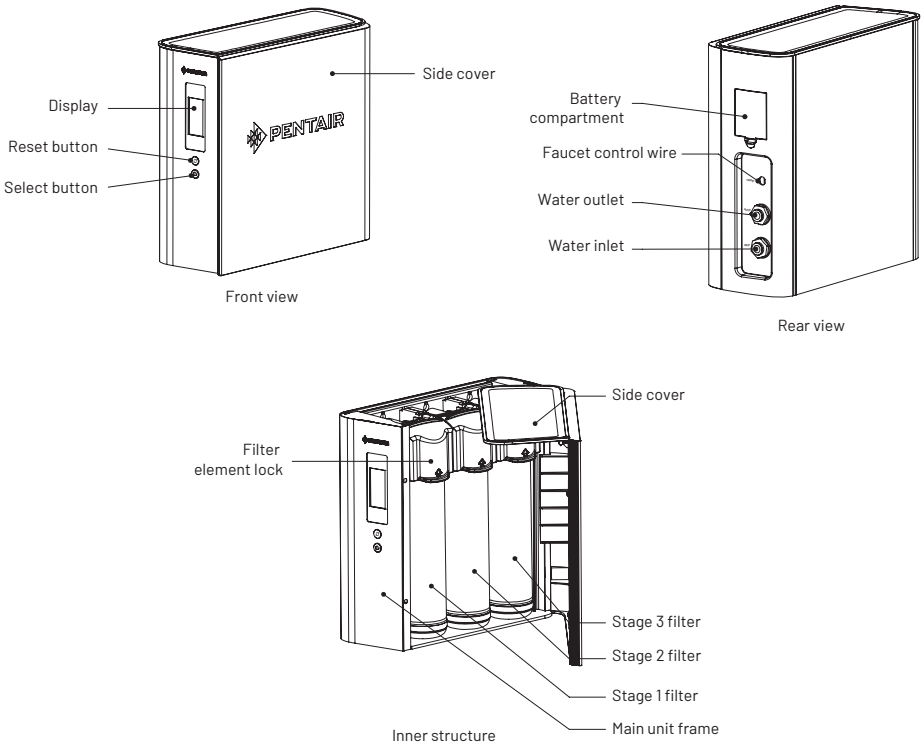
SERIAL NUMBER	PART	UNIT	QUANTITY
1	Water filtration unit (including 3 filter elements)	set	1
2	Accessory Pack	set	1
3	Water Faucet (included)	unit	1
4	AA batteries	unit	3
5	Three-way ball valve	set	1

Accessory Pack Contents:

1. Blue 3/8" pipe ----- 1.5m
2. White 3/8" pipe ----- 1.5m
3. Faucet adaptor ----- 1 unit
4. Elbow ----- 2 units
5. User's manual ----- 1 unit
6. Locking clips ----- 6 units

3. PRODUCT INFORMATION

3.1. Product Structure



3.2 Product Specifications and Performance

Model	F1	F2
Filtration Technology	Microfiltration	Ultrafiltration
Dimensions (mm),H*W*D	335*135*325	335*135*325
Filtered Water Flowrate (L/min)	2.5	2.5
Capacity (L)	2500	6000
Inlet Water Condition	Chlorinated City Water	Chlorinated City Water
Inlet Water Pressure (PSI)	21 - 50	21 - 50
Operating Temp (°C)	4°C~38°C	4°C~38°C
Inlet & Outlet Connection	3/8" Quick Connect	3/8" Quick Connect
Filtration Performance		
Sediment and rust particles above micron rating	●	●
Chlorine	●	●
Taste and Odor	●	●
Bacteriostatic	●	●
Cysts	●	●
Heavy Metals (e.g. Lead)	●	●
Volatile Organic Compounds (Chloroform)	●	
Bacteria		●
Monitoring System		
Faucet Light Indicator	●	●
Main Unit Screen Display	●	●
Beep Reminder	●	●
Replacement Cartridges		
Stage 1	PP Cartridge	PP Cartridge
Stage 2	Advanced Fibredyne™ Carbon Block	Advanced Fibredyne™ Carbon Block
Stage 3	Carbon Block	Ultrafiltration Cartridge

NOTE:

- Due to continuous product improvement, technical specification subject to change without notice. Please refer to the product nameplate.
- Filtration performance was tested at Pentair lab.

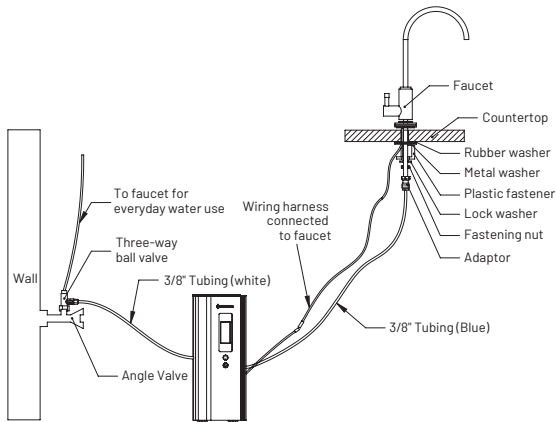
3.3 Introduction to Main Parts

No.	Component Name	Specifications	Qty	Estimated Lifespan*
1.	Polypropylene Polyspun (PP) Filter Cartridge	Filter Material: Polypropylene Polyspun (PP) Micron Rating: 5 µm Dimensions: Φ 90 mm X 305 mm	1	6 – 12 Months
2.	Advanced Fibredyne™ Carbon Block Filter Cartridge	Filter Material: Composite Carbon filter Micron Rating: 0.5 µm Dimensions: Φ 90 mm X 305 mm	1	6 – 12 Months
3.	Carbon Block Filter Cartridge	Filter Material: Carbon rod filter Micron Rating: 1 µm Dimensions: Φ 90 mm X 305 mm	1	6 – 12 Months
4.	Ultrafiltration Filter Cartridge	Filter Material: Polypropylene hollow fiber membrane Micron Rating: 0.01 µm Dimensions: Φ 90 mm X 305 mm	1	24 Months
5.	Inlet/Outlet filter assembly	Material: Polypropylene Diameter: 15.5 mm	1	5 Years

* Filter lifespan is dependent on actual water usage conditions and local incoming tap water quality.

4. INSTALLATION AND COMMISSIONING

4.1. Schematic Diagram



4.2. Tools and Materials

Adjustable wrench, teflon tape, pipe cutter (or utility knife), pressure gauge, screwdrivers, pencil, drill and measuring tape.

4.3. Installation Steps

- 1) Turn off the inlet water valve.
- 2) Install the filtered water faucet included with the package.
- 3) Install the three-way ball valve included with the package.
- 4) Connect the three-way valve to the water inlet of the water filter with a pipe, and connect the water outlet of the water filter to the filtered water faucet directly with a pipe (If there is limited space for installation, you can install the corner joints provided with the package on the water inlet/outlet of the main unit).
- 5) Connect the filtered water faucet to the signal line on the water filter.
- 6) Open the battery cover on the back of the water filter and insert three AA batteries. When turned on for the first time, the faucet indicator flashes red and blue.
- 7) Turn on the filtered water faucet and let the water flow until it is clear (about 15 minutes).
- 8) After rinsing, press any button to light up the screen. Press and hold the "Reset" button for three seconds to complete the system reset. After resetting it successfully, the filter lifespan progress bar on the screen will be full.

5. OPERATING INSTRUCTIONS

5.1. Daily Use

- 1) Turn on the water faucet to dispense filtered water.
- 2) Blue faucet light indicates filter element is normal and can dispense filtered water

5.2. Filter Monitoring System

1. Faucet Indicator Light:

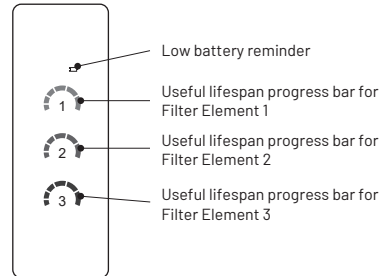
- There is a status indicator light on the water faucet. When the useful lifespan of the filter element is normal, the indicator light turns blue when the faucet is turned on and turns off when the faucet is turned off.
- When the useful lifespan of any filter element is about to end, the indicator light flashes blue to remind the user that the filter element is about to due for replacement.
- When the useful lifespan of any filter element is reached, the indicator light turns solid red to remind the user that the filter element has to be replaced.
- When the battery is low, the indicator light turns solid purple to remind the user to replace the batteries.
- When the filtered water flow rate is low, the indicator light does not turn on. At this time, if the tap water pressure is normal, it may be because the filter element is clogged. It is recommended to replace the filter element with a new one.

2. Screen Status Display:

Filter element lifespan display: Press any key below the water filter screen to turn on the screen. The numbers 1, 2 and 3 and the progress bars on the screen indicate the useful lifespan of Filter Elements 1, 2 and 3, respectively.

- When the number and the last bar of the useful lifespan progress bar flash red and blue, it indicates that the useful lifespan of the corresponding filter element is about to end, and it is necessary to replace the filter element.

- When the number and the last bar of the useful lifespan progress bar turn solid red, it indicates that the useful lifespan of the corresponding filter element has reached, and the filter element needs to be replaced.



Low battery display: When the battery life is low and the screen is woken up, the battery icon will flash red if the screen is turned on to remind the user to replace the battery.

The water filter screen is automatically turned off if no button is pressed 20 seconds later.

3. Beep reminder:

If the useful lifespan of the water filter element is over, every time you turn on the faucet, the water filter will emit three long beeps, "Beep-Beep-Beep", to remind the user to replace the filter element.

If the battery life is low, every time you turn on the faucet, the water filter will emit four short beeps, "Beep-Beep, Beep-Beep", to remind the user to replace the batteries.

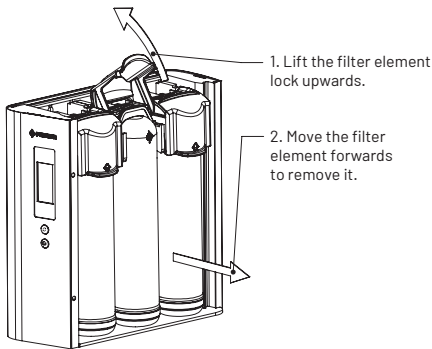
6. MAINTENANCE

6.1. Filter Cartridge Replacement

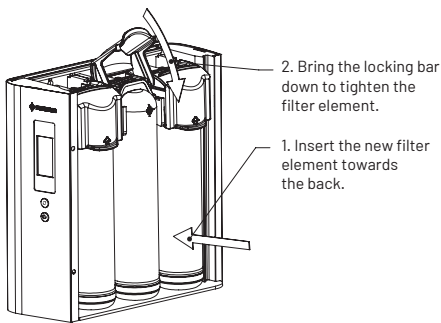
6.1.1. Steps to replace filter cartridge:

- 1) Open the side cover of the water filtration unit.
- 2) Lift the locking bar up for the corresponding filter element and remove the used filter element outward.
- 3) Insert the new filter element into the filter element slot, press down on the filter element lock, and lock the filter element.

Note: After replacing the filter element, be sure to fully press the lock on the filter element to ensure that the filter element is fully locked.



Removing used filter elements



Installing new filter elements

6.1.2. Steps to reset the filter lifespan monitoring system:

1) Resetting the filter element:

After replacing the filter element, the useful lifespan of the filter element needs to be reset on the water filter.

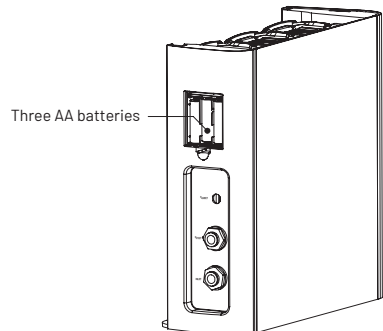
Press the "Select" button repeatedly and the useful lifespan progress bar of each filter element will flash one by one. When selecting the corresponding filter element, press and hold the "Reset" button for three seconds to reset the useful lifespan status of the filter element. The corresponding useful lifespan progress bar on the screen will be full.

6.2. Batteries Replacement

When the battery life is about to run out, the indicator ring on the faucet will turn purple to remind the user that the battery life is low. Also, if the water filter screen is turned on, the battery reminder symbol on the screen will also flash red. At this time, the batteries on the water filter should be replaced immediately.

Steps to replace the battery:

- ① Open the battery compartment on the back of the water filter to remove the used batteries.
- ② Insert three AA batteries according to the polarity indicated in the battery compartment.
- ③ Replace the battery compartment cover.



Precautions:

- 1) When the filter monitoring system of the water filter prompts to replace the filter element, please replace the filter element in time.
- 2) After each replacement of the filter element, please turn on the water filter switch and let the water flow until it is clear before using. Please refer to the flushing time in the new water filter installation section.
- 3) If the water filter has not been used for more than three days, please turn on faucet, and wait for the water filter to continuously discharge water for three to five minutes before using.
- 4) If the water filter is stained, do not wipe the product with chemicals such as alcohol or paint thinner. Simply wipe the water filter with a clean, damp cloth.

7. TROUBLESHOOTING

No.	Problem	Solution
1.	Leaks from three-way ball valve	<ol style="list-style-type: none">1. Relieve line pressure by turning off the water supply to the system then opening faucet until water flow stops. Place a bucket or towel under the system to catch any water drips.2. Check and make sure that the rubber seal of the three-way ball valve is properly seated.3. Re-install and tighten three-way ball valve as required. Place system into operation and check for leaks. If leaks persist, turn off the water supply and contact Pentair's authorized distributor.
2.	Leaks at the connection point to the quick connector	<ol style="list-style-type: none">1. Relieve line pressure by turning off the water supply to the system then opening faucet until water flow stops. Place a bucket or towel under the system to catch any water drips.2. Cut off 2cm from the part of the tubing that is leaking, and re-inserts it fully.3. Place system into operation and check for leaks. If leaks persist, turn off the water supply and contact Pentair's authorized distributor.
3.	Reduced flow or change in taste of filtered water	Replace the filter cartridge. Refer to Section 6.1 - Filter Cartridge Replacement of the manual.
4.	Leaks between filter head assembly and filter cartridge	<ol style="list-style-type: none">1. Relieve line pressure by turning off the water supply to the system then opening faucet until water flow stops. Place a bucket or towel under the system to catch any water drips.2. Remove cartridge and inspect o-rings to make sure they are seated and clean.3. Install filter cartridge. Place system into operation and check for leaks. If leaks persist, turn off the water supply and contact Pentair's authorized distributor.
5.	Leaks from tubing fittings	<ol style="list-style-type: none">1. Relieve line pressure by turning off the water supply to the system then opening faucet until water flow stops. Place a bucket or towel under the system to catch any water drips.2. Depress collet on system or inlet supply adapter tubing fittings and pull tubing from fitting. Inspect surface of tubing for scratches or debris. Clean or cut back tubing to access clean surface.3. Wet the end of the inlet tubing and press into the inlet fitting of the system. Ensure the tubing is fully pushed past the fittings o-rings. Place system into operation and check for leaks. If leaks persist, turn off the water supply and contact Pentair's authorized distributor.

8. TERMS AND CONDITIONS OF WARRANTY

- (1) The warranty period is 1 year from the date of purchase. During the warranty period, Pentair (Company) is responsible for providing free warranty for faults arising from normal operation and use according to the installation manual and user's manual. Pentair will charge repair and maintenance fees after the warranty expires.
- (2) The user should keep valid purchase invoice, which serve as the basis for after-sales service.
- (3) Installation, maintenance and repair services will be provided by Pentair's authorized distributors. In the event that the user is unable to present the warranty card or valid purchase invoice, Pentair will deem the warranty to have expired and charge the relevant fees.
- (4) Warranty will be void in the following conditions:
 - Installation by personnel who are not authorized by the Pentair;
 - Product malfunction or damage resulted from the user's failure to follow the instructions described in the user's manual to operate the system;
 - Error or damage caused by the user's self-repair or modification of the equipment;
 - Error or damage caused by major force (including but not limited to natural disasters such as fires, floods, earthquakes, lightning strikes, etc.);
 - Error or damage caused by human factors (including but not limited to drop, knock, etc.);
 - Where the user is unable to present the warranty card or purchase invoice, or the content of the invoice has been altered;
 - Any problems caused by using parts that are not approved by Pentair.
- (5) The repair parts replaced during the warranty period are owned by Pentair.
- (6) Warranty does not cover for all consumables, such as filter element and materials, in water treatment equipment.
- (7) Pentair reserves the right to charge a certain service fee for maintenance or repair service provided on-site in remote areas.

9. MAINTENANCE RECORDS

Date	Cause of Error	Replacement Part	Maintenance Personnel
Remarks			

Distribution and Service by:

(Distributor Stamp Here)

Date of Purchase:



371 He Shan Road | New District Suzhou | Jiangsu 215011 | China | pentair.com

All Pentair trademarks and logos are owned by Pentair. All other brands or product names are trademarks or registered marks of their respective owners. Because we are continuously improving our products and services, Pentair reserves the right to change specifications without prior notice.
00-00000 00/00 ©2020 Pentair. All Rights Reserved.