



FREEFLO HIGH PERFORMANCE PUMPS

THE PERFECT CHOICE FOR ALL TYPES OF POOLS

The FreeFlo was specifically designed to be your best choice for a variety of above-ground and small in-ground pool applications. Thick walled body parts, a heavy duty motor, and highly engineered hydraulics make this rugged and tested design perfect for any pool. The new FreeFlo is a mono-block design allowing it to run more silent and requiring less footprint space. FreeFlo is a drop in replacement for the Swimmy Pump series.

KEY FEATURES:

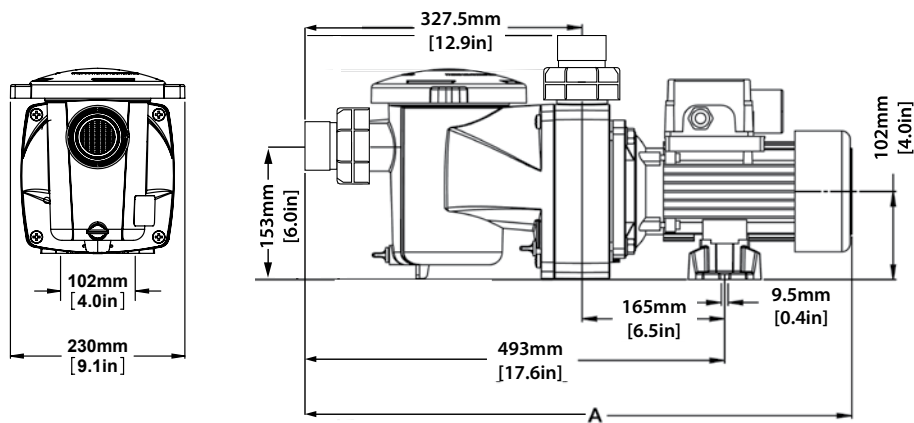
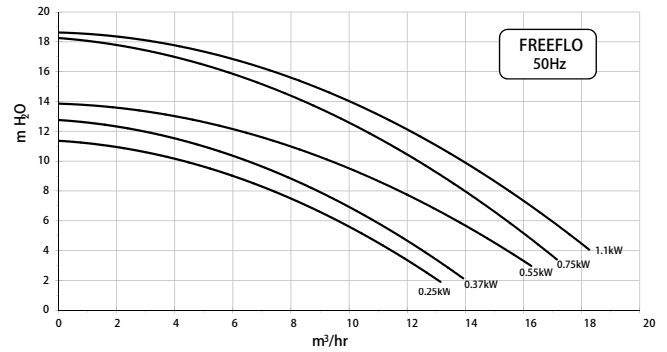
- Self priming pump with prefilter for swimming pools
- Mono Block design for silent operation
- Single Piece, see-through Cam and Ramp lid for inspection of strainer basket and easy cleaning and maintenance access
- Large long life HDPE basket to hold debris, easy to clean
- Heavy duty, thermally protected TEFC (TEFC : Totally Enclosed Fan Covered) motor IP55
- 50mm ID (ID is Inner Diameter) Swivel unions for better sealing and more flexibility at installations
- Discharge is 90° rotatable



FREEFLO HIGH PERFORMANCE PUMPS



MODEL	kW	HP	VOLT	PHASE
APFFL-031	0.25	1/3	220-240V	1~
APFFL-051	0.375	1/2	220-240V	1~
APFFL-071	0.55	3/4	220-240V	1~
APFFL-101	0.75	1	220-240V	1~
APFFL-151	1.10	1.5	220-240V	1~



A: 0.25KW = 585mm 0.375KW = 585mm 0.55KW = 607mm
 0.75KW = 607mm 1.10KW = 642mm



Singapore | Philippines | Thailand | pentair.com

390 Havelock Road, #04-01 King's Center, Singapore 169662

5th Floor MAIA Suites, 1747 Nicanor Garcia Street Corner, D.Oliman Street Makati City, Philippines

16th Floor, The Ninth Towers Grand RAMA 9 (Tower B), 33/4 Rama 9 Road, Huaykwang, Bangkok 10310, Thailand

+65 6768 5900

+63 2824 3825

+66 2168 1092

Pentair reserves the right to change specifications without prior notice. Pentair is an equal opportunity employer. P1-108 10/18 ©2022 Pentair Water Pool and Spa, Inc. Allrights reserved.