



# PVM (I/S/D) -H

VERTICAL MULTISTAGE CENTRIFUGAL  
IN-LINE PUMPS



50Hz



# A LEADER IN WATER TECHNOLOGY

Pentair is one of the world's leading companies in the planning and manufacture of innovative products and systems suitable in any situation requiring the treatment, transportation and storage of water. The activity and success of Pentair is based on values such as constant improvement, the continuous development of new products, high-performance, competence, business ethics and market leadership. Pentair's employees share personal values such as accountability, deep respect for people and the environment and a candid and practical work style. Strong customer relationships and high quality standards allow Pentair to rank amongst the leading producers of technology and instruments for water treatment.



## FLOW TECHNOLOGIES

Vertical and horizontal centrifugal pumps; submersible pumps for domestic, commercial, agricultural and industrial use; pumps for the drainage of clear and wastewaters; pressure booster units and fire-fighting systems.



## FILTRATION

Industrial, residential and commercial filtration systems; filter cartridges, components for the filtration of drinking water, pumps for mobile homes and boats and pumps and accessories for applications in industry and the catering service.

## SAFE, CLEAN WATER

Providing clean, safe water to an ever-growing portion of the population is the mission of Pentair: a valid organization is engaged to serve our customers in an efficient manner through production plants located in every corner of the world and specialized sales and marketing networks.



## WATER TREATMENT

Residential, commercial and industrial water conditioning control valves; fibre-glass wound expansion tanks and vessels; water storage tanks.



## POOL AND SPA

A complete range of pool/spa equipment and accessories: filters, pumps, heating and lighting systems and cleaning accessories; dosing and control systems and products and accessories for fountains and ponds.

## PVM (I/S/D)-H

### VERTICAL MULTISTAGE CENTRIFUGAL PUMP

#### HIGH HYDRAULIC EFFICIENCY PUMP WITH MOTOR DESIGNED ACCORDING TO EN REGULATION

---

The PVM(I/S/D)-H are non-self priming vertical multistage pump of in-line design, flanged connections with same size suction and discharge ports.

Stage construction with stainless steel impellers, chambers and pressure casing. Pump steel shaft and motor shaft of the IEC-standards motor are directly close coupled.

PVM(I/S/D)-H pumps have different pump sizes and various numbers of stages to provide the flow and the pressure required.



#### APPLICATIONS

---

- Water supply
- Pressure boosting systems
- Water treatment/filtration
- Irrigation
- High pressure washes
- Liquid transfer
- Firefighting systems
- Boiler feed



# CONTENTS

PVM(I/S/D)1-H .....	10
PVM(I/S/D)3-H .....	12
PVM(I/S/D)5-H .....	14
PVM(I/S/D)10-H .....	16
PVM(I/S/D)12-H .....	18
PVM(I/S/D)15-H .....	20
PVM(I/S/D)20-H .....	22
PVM(I/S/D)32-H .....	24
PVM(I/S/D)45-H .....	26
PVM(I/S/D)64-H .....	28
PVM(I/S/D)90-H .....	30
PVM(I/S/D)120-H .....	32
PVM(I/S/D)150-H .....	34



# PVM (I/S/D)-H

## VERTICAL MULTISTAGE CENTRIFUGAL PUMP

### Instruction

- PVM(I/S/D)-H is non self-priming vertical multistage pump and with standard motor, motor shaft and pump shaft are connected directly by coupling. The pump is composed of a base and a pump head. The chamber stack and the outer sleeve are secured between pump head and base by staybolts. The base is with the suction and discharge ports on the same level for inline installation.
- Pump can be configured with smart device accordingly, in order to protect pump from dry run, loss of phase, overload, etc.

### Single performance curve

- All performance curves are based on the motor in constant speed of 2900 RPM or 2950 RPM.
- Tolerance to meet ISO 9906 Annex A.
- All measurement have been made with airless water at 20°C temperature, and with kinematic viscosity of 1mm<sup>2</sup>/s
- To prevent motor overloading or pump overheating, pump is to be selected to operate at the recommended performance range as indicated on the pump performance curve.

### Altitude and Ambient temperature

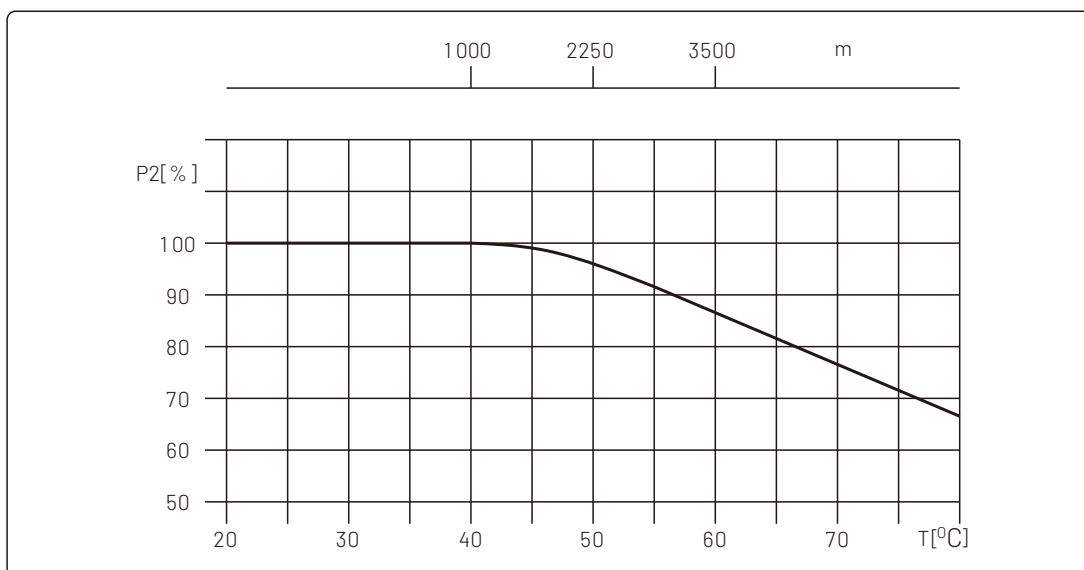
- When pump works in the condition ambient temperature > 40°C or altitude > 1000m. the output of motor P2 will be lower, the power of motor should be bigger.

### Motor

- Totally enclosed fan cooled motor  
Degree of protection: IP55  
Insulation class:F  
Standard voltage:  
380V/50Hz 400V/50Hz  
415V/50Hz  
230V/60Hz 380V/60Hz  
400V/60Hz 440V/60Hz  
460V/60Hz  
Other voltage of the motor is available on request  
Single phase motors from 0.37W-2.2KW are available on request.

### Working Condition

- Thin, clean, non-flammable liquid without solid particles or fibers.
- Liquid Temperature:  
Room temperature type: -15°C,+70°C  
Hot water type: -15°C, +105°C
- Maximum Ambient Temperature is 40°C for standard motor
- Altitude:Max.1000m



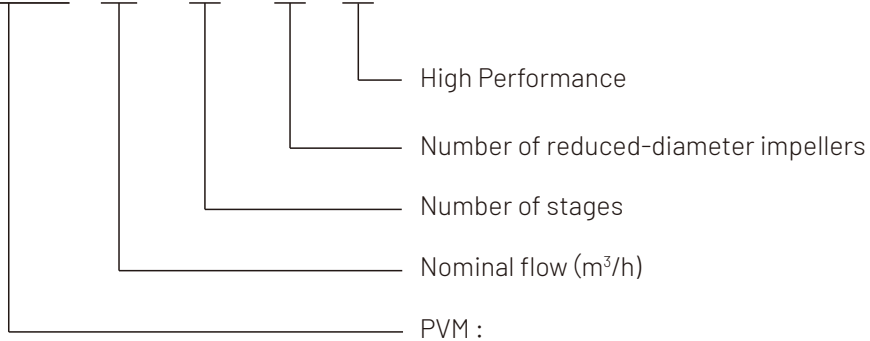
# PVM (I/S/D)-H

## VERTICAL MULTISTAGE CENTRIFUGAL PUMP

---

### MODEL DESCRIPTION

PVM(I/S/D) 10 - 16 - 1 - H



Vertical multistage centrifugal pump

Base: Cast Iron

Flow passage component: AISI304

I: Base, flow passage component: AISI304

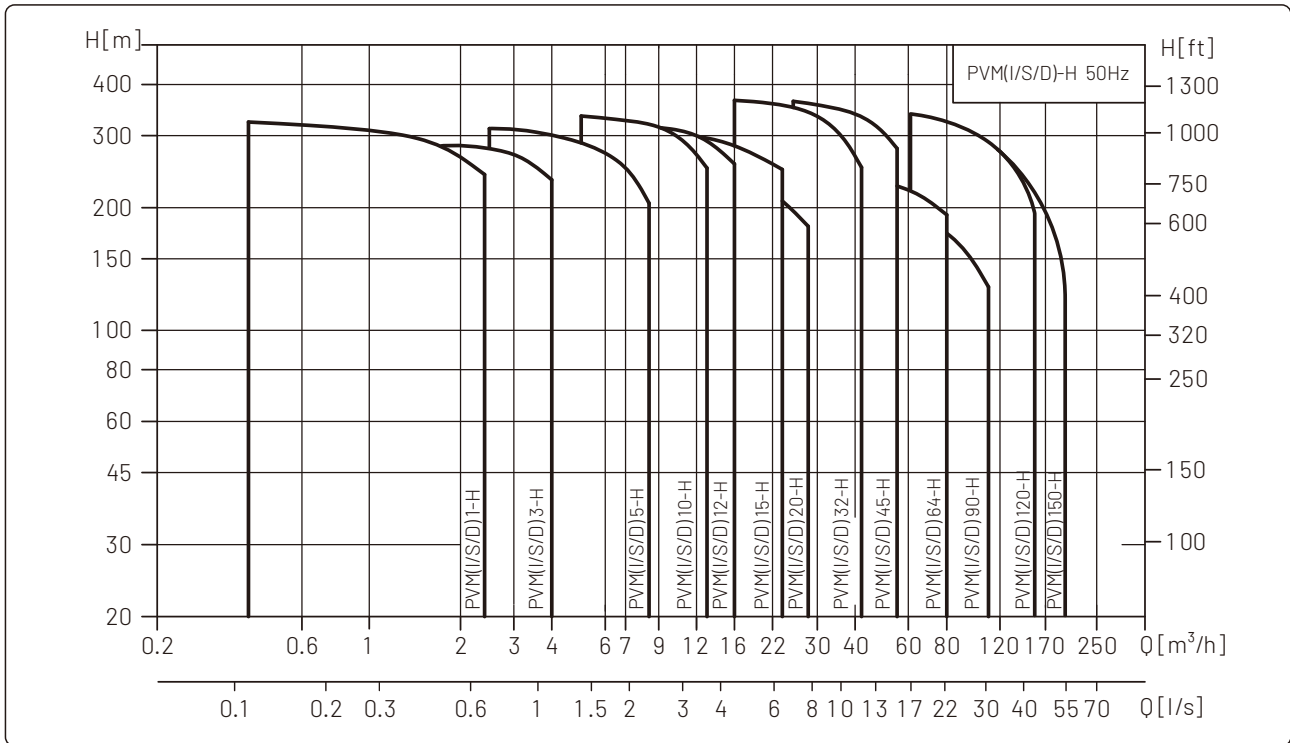
S: Base, flow passage component: AISI316L

D: Base, flow passage component: AISI2205

# PVM (I/S/D)-H

## VERTICAL MULTISTAGE CENTRIFUGAL PUMP

### PERFORMANCE RANGE



### MIN . INLET PRESSURE NPSH

If pump pressure is lower than the transferring vapour pressure , cavitation can occur. Make sure there is a minimum vapour pressure at the pump suction side , the maximum suction H [ m ] can be calculated by the following formula :

$$H = P_b \times 10.2 - NPSH - H_f - H_v - H_s$$

$P_b$  = Atmospheric pressure

( Atmospheric pressure can be set to 1 bar )

For the closed system ,  $P_b$  is system pressure .

NPSH = net positive suction head [ m ]

( Data available from the pump performance curve )

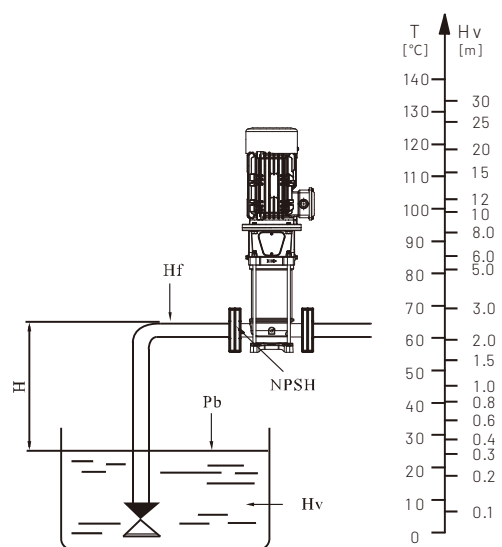
$H_f$  = Entrance Line loss [ m ]

$H_v$  = Vapour pressure [ m ]

$H_s$  : Safety margin = minimum 0.5 m head

Calculated H is positive , the pump can be run in the condition of Max. suction .

Calculated H is negative , there must be a minimum inlet pressure of water head.



Check to ensure that the pump will not be in cavitation .



# PVM (I/S/D)-H

## VERTICAL MULTISTAGE CENTRIFUGAL PUMP

### PRODUCT RANGE

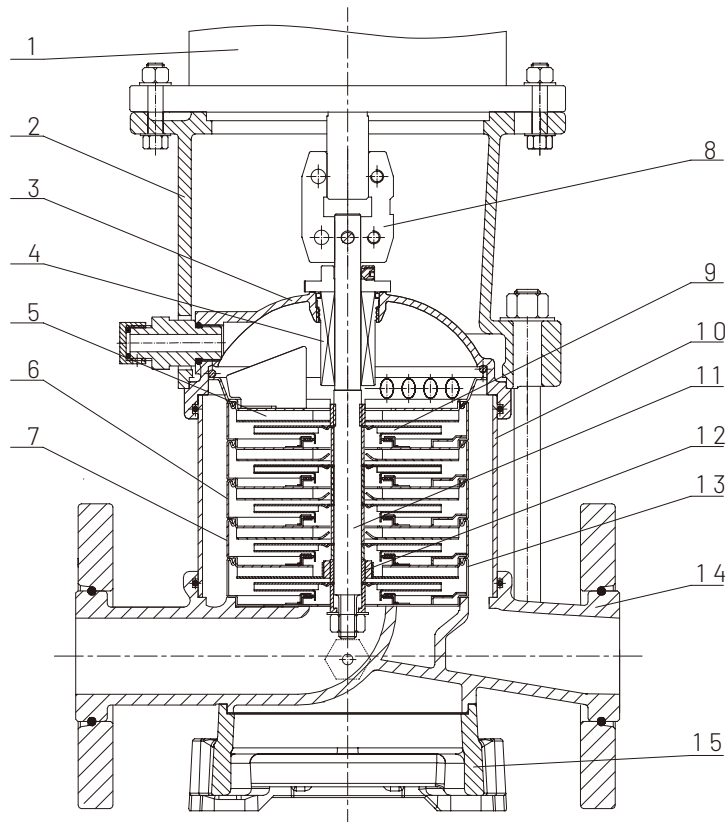
PRODUCT DATA	PVM(I/S/D)1-H	PVM(I/S/D)3-H	PVM(I/S/D)5-H	PVM(I/S/D)10-H	PVM(I/S/D)12-H	PVM(I/S/D)15-H	PVM(I/S/D)20-H
Nominal Flow [m³/h]	1	3	5	10	12	15	20
Nominal Flow [l/s]	0.28	0.83	1.39	2.78	3.30	4.17	5.6
Flow Range [m³/h]	0.4~2.4	1.2~4	2.5~8.5	5~13	7~16	8~23	10~28
Flow Range [l/s]	0.11~0.66	0.33~1.1	0.69~2.36	1.39~3.61	1.9~4.4	2.22~6.39	2.8~7.8
Max. Pressure [bar]	33	30	32	34	32	31	25
Motor Power [kW]	0.37~3	0.37~5.5	0.37~7.5	0.75~15	1.5~18.5	1.1~22	1.1~22
Temperature Range [°C]	-15~105						
Max. Effi. [%]	48	57	66	68	63	68	68
Pipe connection							
DIN Flange	DN25	DN25	DN32	DN40	DN50	DN50	DN50

PRODUCT DATA	PVM(I/S/D)32-H	PVM(I/S/D)45-H	PVM(I/S/D)64-H	PVM(I/S/D)90-H	PVM(I/S/D)120-H	PVM(I/S/D)150-H
Nominal Flow [m³/h]	32	45	64	90	120	150
Nominal Flow [l/s]	8.9	12.5	17.8	25	33.33	41.67
Flow Range [m³/h]	16~42	25~55	30~80	50~110	60~160	80~200
Flow Range [l/s]	4.4~11	6.9~15.3	8~22	14~30	16.7~44.4	22.2~55.6
Max. Pressure [bar]	37	37	25	22	34	28
Motor Power [kW]	2.2~45	4~55	5.5~55	7.5~55	11~110	11~110
Temperature Range [°C]	-15~105					
Max. Effi. [%]	75	75	75	76	80	80
Pipe connection						
DIN Flange	DN65	DN80	DN100	DN100	DN150	DN150

# PVM (I/S/D)-H

## VERTICAL MULTISTAGE CENTRIFUGAL PUMP

### STRUCTURE CHART PVM(I/S/D) 1,3,5-H



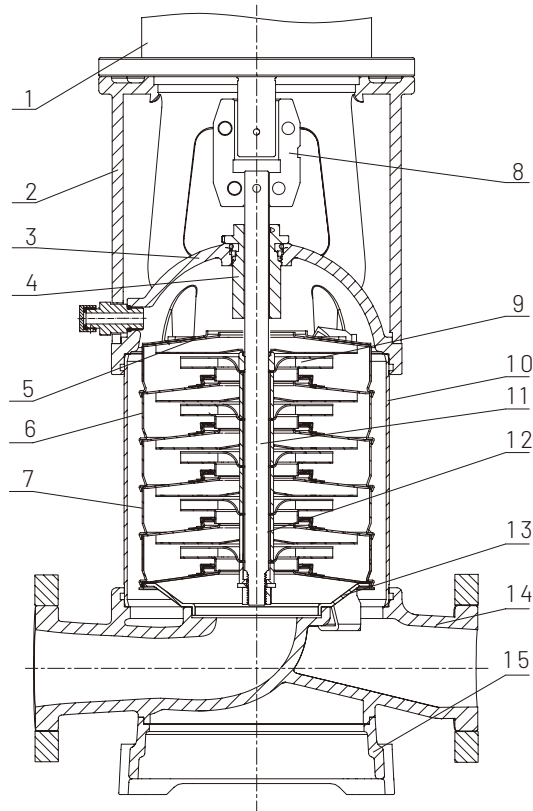
### MATERIAL PVM(I/S/D) 1,3,5-H

POS.	Description	PVM-H		PVM I-H		PVMS-H		PVMD-H	
		Material	AISI/ASTM	Material	AISI/ASTM	Material	AISI/ASTM	Material	AISI/ASTM
1	Motor	Assembling unit	-	Assembling unit	-	Assembling unit	-	Assembling unit	-
2	Motor bracket	Cast iron	ASTM25B	Cast iron	ASTM25B	Cast iron	ASTM25B	Cast iron	ASTM25B
3	Pump head	Stainless steel	AISI304	Stainless steel	AISI304	Stainless steel	AISI316L	Duplex stainless steel	AISI2205
4	Mechanical seal	Face	Tungsten carbide/Graphite	Face	Tungsten carbide/Graphite	Face	Tungsten carbide/Graphite	Face	Tungsten carbide/Graphite
		Bellow	Fluorous rubber	Bellow	Fluorous rubber	Bellow	Fluorous rubber	Bellow	Fluorous rubber
		Hardware	SS304	Hardware	SS304	Hardware	SS316L	Hardware	AISI2205
5	Discharge guide vane	Stainless steel	AISI304	Stainless steel	AISI304	Stainless steel	AISI316L	Duplex stainless steel	AISI904L/AISI2205
6	Guide vane	Stainless steel	AISI304	Stainless steel	AISI304	Stainless steel	AISI316L	Duplex stainless steel	AISI904L/AISI2205
7	Support guide vane	Stainless steel	AISI304	Stainless steel	AISI304	Stainless steel	AISI316L	Duplex stainless steel	AISI904L/AISI2205
8	Coupling	Ductile iron	ASTM A536 65-45-12	Ductile iron	ASTM A536 65-45-12	Ductile iron	ASTM A536 65-45-12	Ductile iron	ASTM A536 65-45-12
9	Impeller	Stainless steel	AISI304	Stainless steel	AISI304	Stainless steel	AISI316L	Duplex stainless steel	AISI904L/AISI2205
10	Shell	Stainless steel	AISI304	Stainless steel	AISI304	Stainless steel	AISI316L	Duplex stainless steel	AISI2205
11	Pump shaft	Stainless steel	AISI304	Stainless steel	AISI304	Stainless steel	AISI316L	Duplex stainless steel	AISI2205
12	Bearing	Silicon carbide/ Tungsten carbide	-	Silicon carbide/ Tungsten carbide	-	Silicon carbide/ Tungsten carbide	-	Tungsten carbide	-
13	Inlet guide vane	Stainless steel	AISI304	Stainless steel	AISI304	Stainless steel	AISI316L	Duplex stainless steel	AISI904L/AISI2205
14	Base	Ductile iron	ASTM A536 65-45-12	Stainless steel	AISI304	Stainless steel	AISI316L	Duplex stainless steel	AISI2205
15	Base Plate	Ductile iron	ASTM A536 65-45-12	Ductile iron	ASTM A536 65-45-12	Ductile iron	ASTM A536 65-45-12	Ductile iron	ASTM A536 65-45-12

# PVM (I/S/D)-H

## VERTICAL MULTISTAGE CENTRIFUGAL PUMP

### STRUCTURE CHART PVM(I/S/D) 10,12,15,20-H



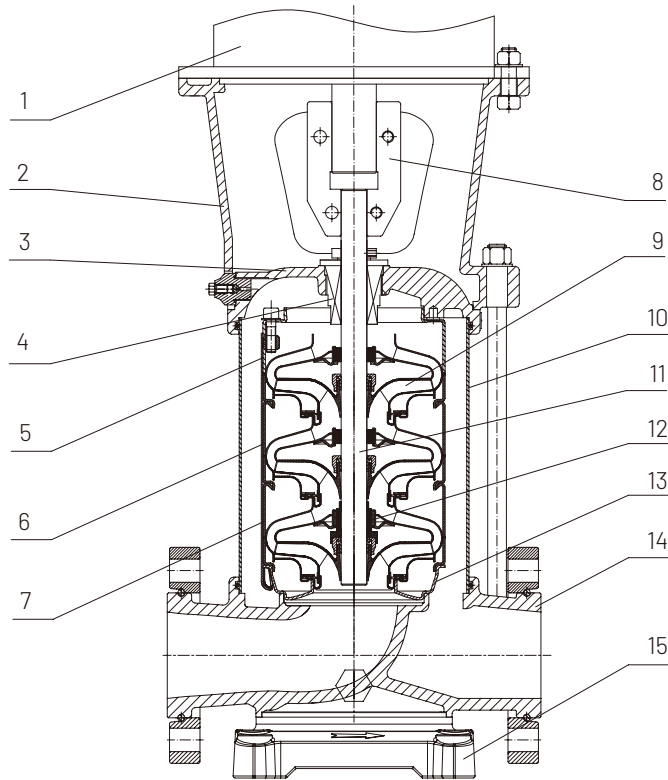
### MATERIAL PVM(I/S/D) 10,12,15,20-H

POS.	Description	PVM-H		PVMI-H		PVMS-H		PVMD-H	
		Material	AISI/ASTM	Material	AISI/ASTM	Material	AISI/ASTM	Material	AISI/ASTM
1	Motor	Assembling unit	-	Assembling unit	-	Assembling unit	-	Assembling unit	-
2	Motor bracket	Cast iron	ASTM25B	Cast iron	ASTM25B	Cast iron	ASTM25B	Cast iron	ASTM25B
3	Pump head	Stainless steel	AISI304	Stainless steel	AISI304	Stainless steel	AISI316L	Duplex stainless steel	AISI2205
4	Mechanical seal	Face	Tungsten carbide/Graphite	Face	Tungsten carbide/Graphite	Face	Tungsten carbide/Graphite	Face	Tungsten carbide/Graphite
		Bellow	Fluorous rubber	Bellow	Fluorous rubber	Bellow	Fluorous rubber	Bellow	Fluorous rubber
		Hardware	SS304	Hardware	SS304	Hardware	SS316L	Hardware	AISI2205
5	Discharge guide vane	Stainless steel	AISI304	Stainless steel	AISI304	Stainless steel	AISI316L	Duplex stainless steel	AISI904L/AISI2205
6	Guide vane	Stainless steel	AISI304	Stainless steel	AISI304	Stainless steel	AISI316L	Duplex stainless steel	AISI904L/AISI2205
7	Support guide vane	Stainless steel	AISI304	Stainless steel	AISI304	Stainless steel	AISI316L	Duplex stainless steel	AISI904L/AISI2205
8	Coupling	Ductile iron	ASTM A536 65-45-12	Ductile iron	ASTM A536 65-45-12	Ductile iron	ASTM A536 65-45-12	Ductile iron	ASTM A536 65-45-12
9	Impeller	Stainless steel	AISI304	Stainless steel	AISI304	Stainless steel	AISI316L	Duplex stainless steel	AISI904L/AISI2205
10	Shell	Stainless steel	AISI304	Stainless steel	AISI304	Stainless steel	AISI316L	Duplex stainless steel	AISI2205
11	Pump shaft	Stainless steel	AISI304	Stainless steel	AISI304	Stainless steel	AISI316L	Duplex stainless steel	AISI2205
12	Bearing	Silicon carbide/ Tungsten carbide	-	Silicon carbide/ Tungsten carbide	-	Silicon carbide/ Tungsten carbide	-	Tungsten carbide	-
13	Inlet guide vane	Stainless steel	AISI304	Stainless steel	AISI304	Stainless steel	AISI316L	Duplex stainless steel	AISI904L/AISI2205
14	Base	Ductile iron	ASTM A536 65-45-12	Stainless steel	AISI304	Stainless steel	AISI316L	Duplex stainless steel	AISI2205
15	Base Plate	Ductile iron	ASTM A536 65-45-12	Ductile iron	ASTM A536 65-45-12	Ductile iron	ASTM A536 65-45-12	Ductile iron	ASTM A536 65-45-12

# PVM (I/S/D)-H

## VERTICAL MULTISTAGE CENTRIFUGAL PUMP

### STRUCTURE CHART PVM(I/S/D) 32,45,64,90-H



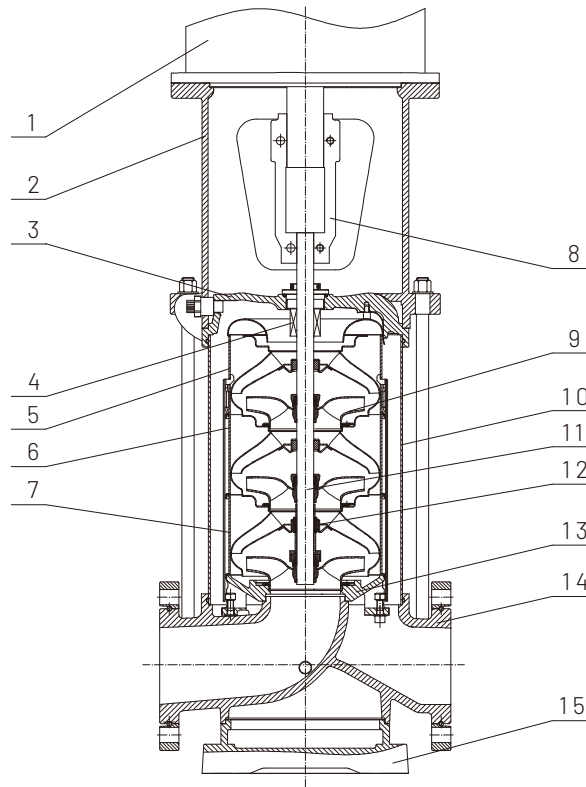
### MATERIAL PVM(I/S/D) 32,45,64,90-H

POS.	Description	PVM-H		PVM-I-H		PVM-S-H		PVM-D-H	
		Material	AISI/ASTM	Material	AISI/ASTM	Material	AISI/ASTM	Material	AISI/ASTM
1	Motor	Assembling unit	-	Assembling unit	-	Assembling unit	-	Assembling unit	-
2	Motor bracket	Ductile iron	ASTM A536 65-45-12	Ductile iron	ASTM A536 65-45-12	Ductile iron	ASTM A536 65-45-12	Ductile iron	ASTM A536 65-45-12
3	Pump head	Ductile iron	ASTM A536 65-45-12	Stainless steel	AISI304	Stainless steel	AISI316L	Duplex stainless steel	AISI2205
4	Mechanical seal	Face	Tungsten carbide/Graphite	Face	Tungsten carbide/Graphite	Face	Tungsten carbide/Graphite	Face	Tungsten carbide/Graphite
		Bellow	Fluorous rubber	Bellow	Fluorous rubber	Bellow	Fluorous rubber	Bellow	Fluorous rubber
		Hardware	SS304	Hardware	SS304	Hardware	SS316L	Hardware	AISI2205
5	Discharge guide vane	Stainless steel	AISI304	Stainless steel	AISI304	Stainless steel	AISI316L	Duplex stainless steel	AISI904L/AISI2205
6	Guide vane	Stainless steel	AISI304	Stainless steel	AISI304	Stainless steel	AISI316L	Duplex stainless steel	AISI904L/AISI2205
7	Support guide vane	Stainless steel	AISI304	Stainless steel	AISI304	Stainless steel	AISI316L	Duplex stainless steel	AISI904L/AISI2205
8	Coupling	Ductile iron	ASTM A536 65-45-12	Ductile iron	ASTM A536 65-45-12	Ductile iron	ASTM A536 65-45-12	Ductile iron	ASTM A536 65-45-12
9	Impeller	Stainless steel	AISI304	Stainless steel	AISI304	Stainless steel	AISI316L	Duplex stainless steel	AISI904L/AISI2205
10	Shell	Stainless steel	AISI304	Stainless steel	AISI304	Stainless steel	AISI316L	Duplex stainless steel	AISI2205
11	Pump shaft	Stainless steel	AISI304	Stainless steel	AISI304	Stainless steel	AISI316L	Duplex stainless steel	AISI2205
12	Bearing	Silicon carbide/ Tungsten carbide	-	Silicon carbide/ Tungsten carbide	-	Silicon carbide/ Tungsten carbide	-	Silicon carbide/ Tungsten carbide	-
13	Inlet guide vane	Stainless steel	AISI304	Stainless steel	AISI304	Stainless steel	AISI316L	Duplex stainless steel	AISI904L/AISI2205
14	Base	Ductile iron	ASTM A536 65-45-12	Stainless steel	AISI304	Stainless steel	AISI316L	Duplex stainless steel	AISI2205
15	Base Plate	Ductile iron	ASTM A536 65-45-12	Ductile iron	ASTM A536 65-45-12	Ductile iron	ASTM A536 65-45-12	Ductile iron	ASTM A536 65-45-12

# PVM (I/S/D)-H

## VERTICAL MULTISTAGE CENTRIFUGAL PUMP

### STRUCTURE CHART PVM(I/S/D) 120,150-H



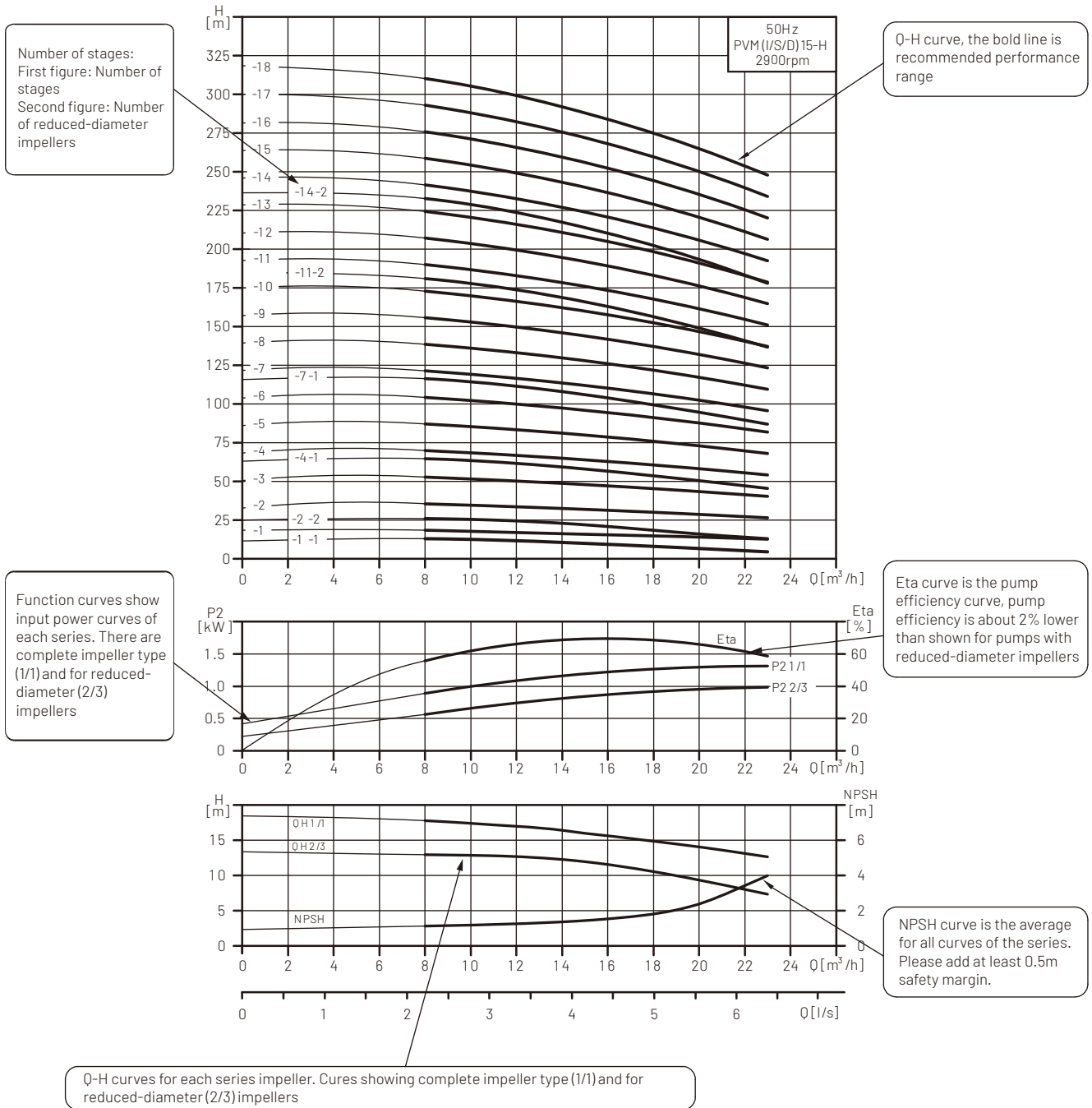
### MATERIAL PVM(I/S/D) 120,150-H

POS.	Description	PVM-H		PVM1-H		PVM5-H		PVM10-H	
		Material	AISI/ASTM	Material	AISI/ASTM	Material	AISI/ASTM	Material	AISI/ASTM
1	Motor	Assembling unit	-	Assembling unit	-	Assembling unit	-	Assembling unit	-
2	Motor bracket	Ductile iron	ASTM A536 65-45-12	Ductile iron	ASTM A536 65-45-12	Ductile iron	ASTM A536 65-45-12	Ductile iron	ASTM A536 65-45-12
3	Pump head	Ductile iron	ASTM A536 65-45-12	Stainless steel	AISI304	Stainless steel	AISI316L	Duplex stainless steel	AISI2205
4	Mechanical seal	Face	Tungsten carbide/Graphite	Face	Tungsten carbide/Graphite	Face	Tungsten carbide/Graphite	Face	Tungsten carbide/Graphite
		Bellow	Fluorous rubber	Bellow	Fluorous rubber	Bellow	Fluorous rubber	Bellow	Fluorous rubber
		Hardware	SS304	Hardware	SS304	Hardware	SS316L	Hardware	AISI2205
5	Discharge guide vane	Stainless steel	AISI304	Stainless steel	AISI304	Stainless steel	AISI316L	Duplex stainless steel	AISI904L/AISI2205
6	Guide vane	Stainless steel	AISI304	Stainless steel	AISI304	Stainless steel	AISI316L	Duplex stainless steel	AISI904L/AISI2205
7	Outlet guide vane	Stainless steel	AISI304	Stainless steel	AISI304	Stainless steel	AISI316L	Duplex stainless steel	AISI904L/AISI2205
8	Coupling	Ductile iron	ASTM A536 65-45-12	Ductile iron	ASTM A536 65-45-12	Ductile iron	ASTM A536 65-45-12	Ductile iron	ASTM A536 65-45-12
9	Impeller	Stainless steel	AISI304	Stainless steel	AISI304	Stainless steel	AISI316L	Duplex stainless steel	AISI904L/AISI2205
10	Shell	Stainless steel	AISI304	Stainless steel	AISI304	Stainless steel	AISI316L	Duplex stainless steel	AISI2205
11	Pump shaft	Stainless steel	AISI304	Stainless steel	AISI304	Stainless steel	AISI316L	Duplex stainless steel	AISI2205
12	Bearing	Silicon carbide/ Tungsten carbide	-	Silicon carbide/ Tungsten carbide	-	Silicon carbide/ Tungsten carbide	-	Tungsten carbide	-
13	Inlet guide vane	Stainless steel	AISI304	Stainless steel	AISI304	Stainless steel	AISI316L	Duplex stainless steel	AISI904L/AISI2205
14	Base	Ductile iron	ASTM A536 65-45-12	Stainless steel	AISI304	Stainless steel	AISI316L	Duplex stainless steel	AISI2205
15	Base Plate	Ductile iron	ASTM A536 65-45-12	Ductile iron	ASTM A536 65-45-12	Ductile iron	ASTM A536 65-45-12	Ductile iron	ASTM A536 65-45-12

# PVM (I/S/D)-H

## VERTICAL MULTISTAGE CENTRIFUGAL PUMP

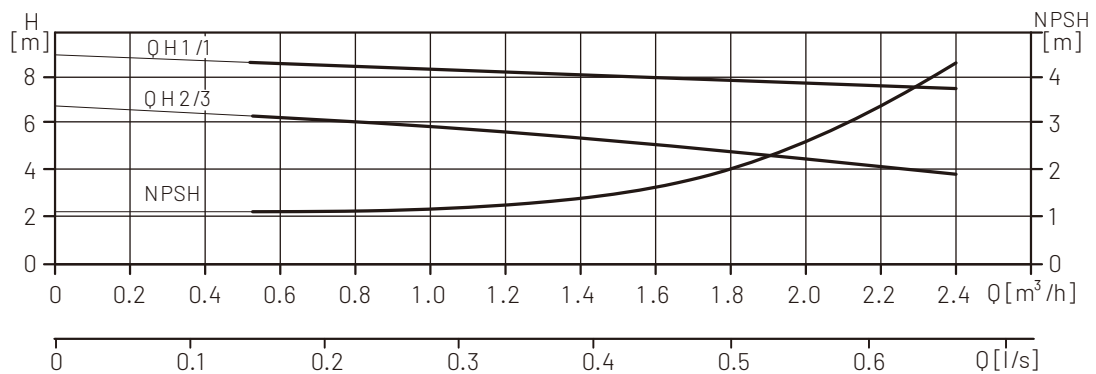
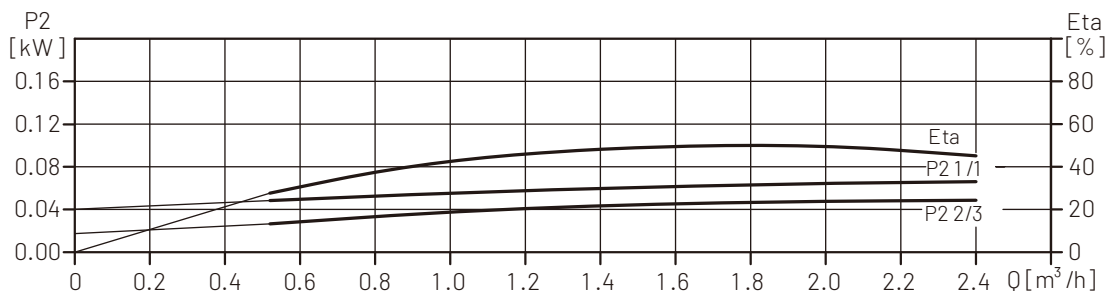
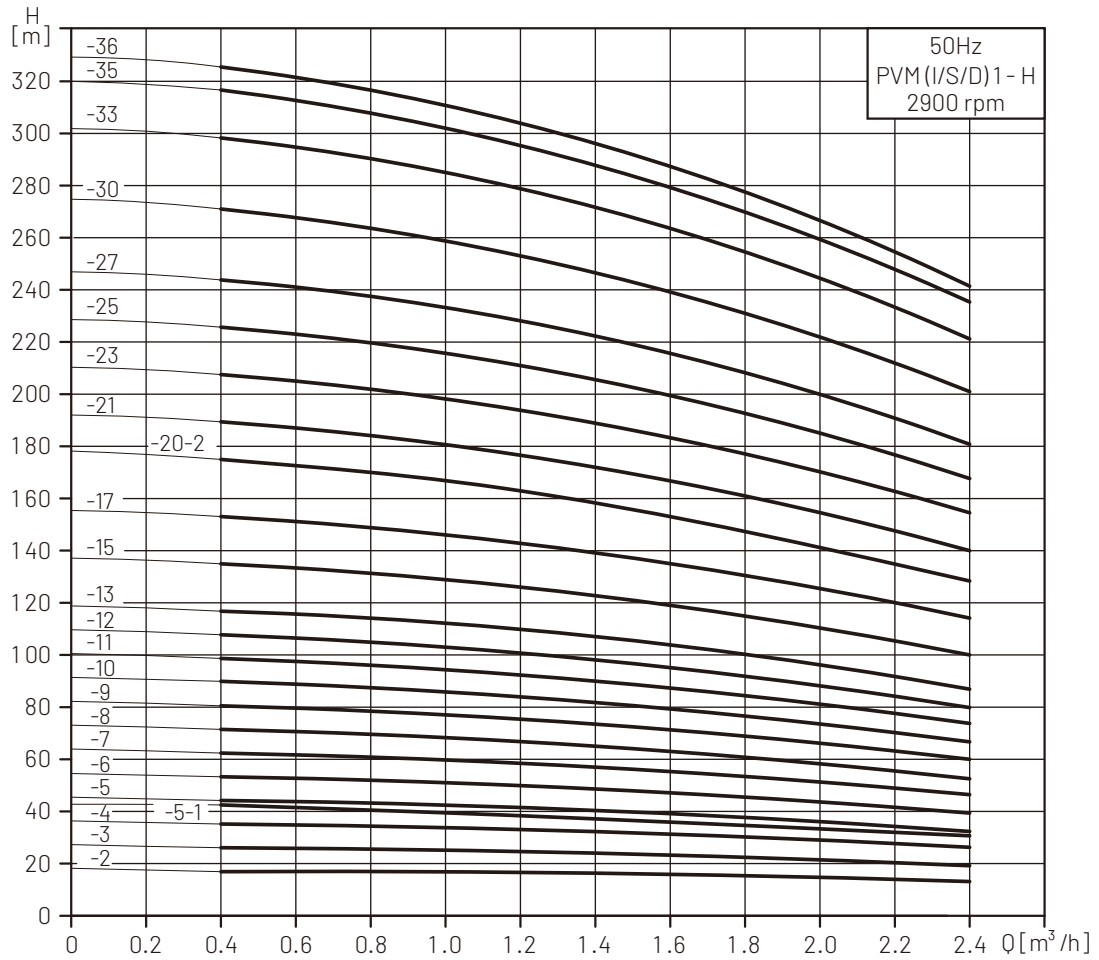
### PERFORMANCE CURVE DESCRIPTION



# PVM (I/S/D)1 - H

## VERTICAL MULTISTAGE CENTRIFUGAL PUMP

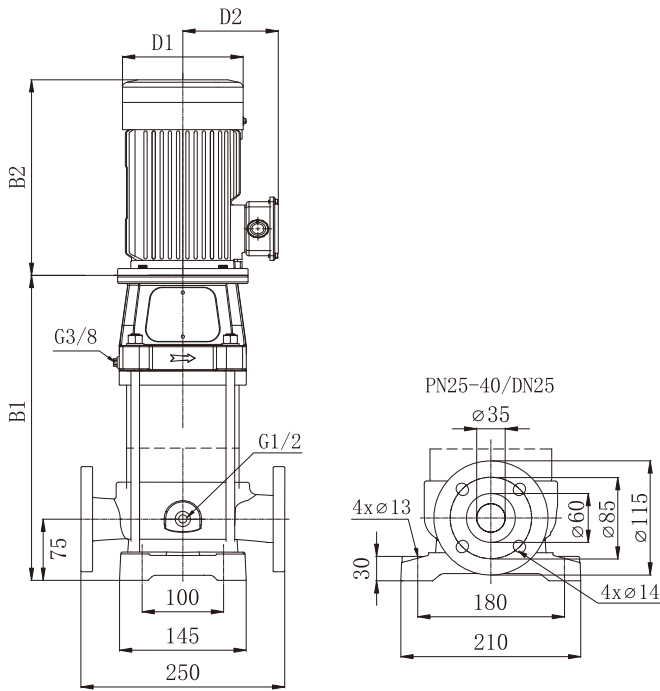
### HYDRAULIC PERFORMANCE



# PVM (I/S/D)1 - H

## VERTICAL MULTISTAGE CENTRIFUGAL PUMP

### Installation Drawing



### Dimension & Weight

Model	Dimension (mm)					Weight (kg)
	B1	B2	B1+B2	D1	D2	
PVM(I/S/D)1-2-H	262	240	502	148	117	23
PVM(I/S/D)1-3-H	280	240	520	148	117	23
PVM(I/S/D)1-4-H	298	240	538	148	117	24
PVM(I/S/D)1-5-1-H	316	240	556	148	117	25
PVM(I/S/D)1-5-H	316	240	556	148	117	25
PVM(I/S/D)1-6-H	334	240	574	148	117	26
PVM(I/S/D)1-7-H	352	240	592	148	117	27
PVM(I/S/D)1-8-H	380	280	660	170	142	36
PVM(I/S/D)1-9-H	398	280	678	170	142	37
PVM(I/S/D)1-10-H	416	280	696	170	142	38
PVM(I/S/D)1-11-H	434	280	714	170	142	40
PVM(I/S/D)1-12-H	452	280	732	170	142	41
PVM(I/S/D)1-13-H	470	280	750	170	142	42
PVM(I/S/D)1-15-H	506	280	786	170	142	43
PVM(I/S/D)1-17-H	552	350	902	190	155	51
PVM(I/S/D)1-20-2-H	606	350	956	190	155	53
PVM(I/S/D)1-21-H	624	350	974	190	155	58
PVM(I/S/D)1-23-H	660	350	1010	190	155	59
PVM(I/S/D)1-25-H	696	350	1046	190	155	61
PVM(I/S/D)1-27-H	732	350	1082	190	155	62
PVM(I/S/D)1-30-H	786	350	1136	190	155	64
PVM(I/S/D)1-33-H	850	410	1260	196	165	73
PVM(I/S/D)1-35-H	886	410	1296	196	165	74
PVM(I/S/D)1-36-H	904	410	1314	196	165	75

Note: PVM-H is 1.5kg heavier than PVM(I/S/D)-H under same model.

### Performance Table

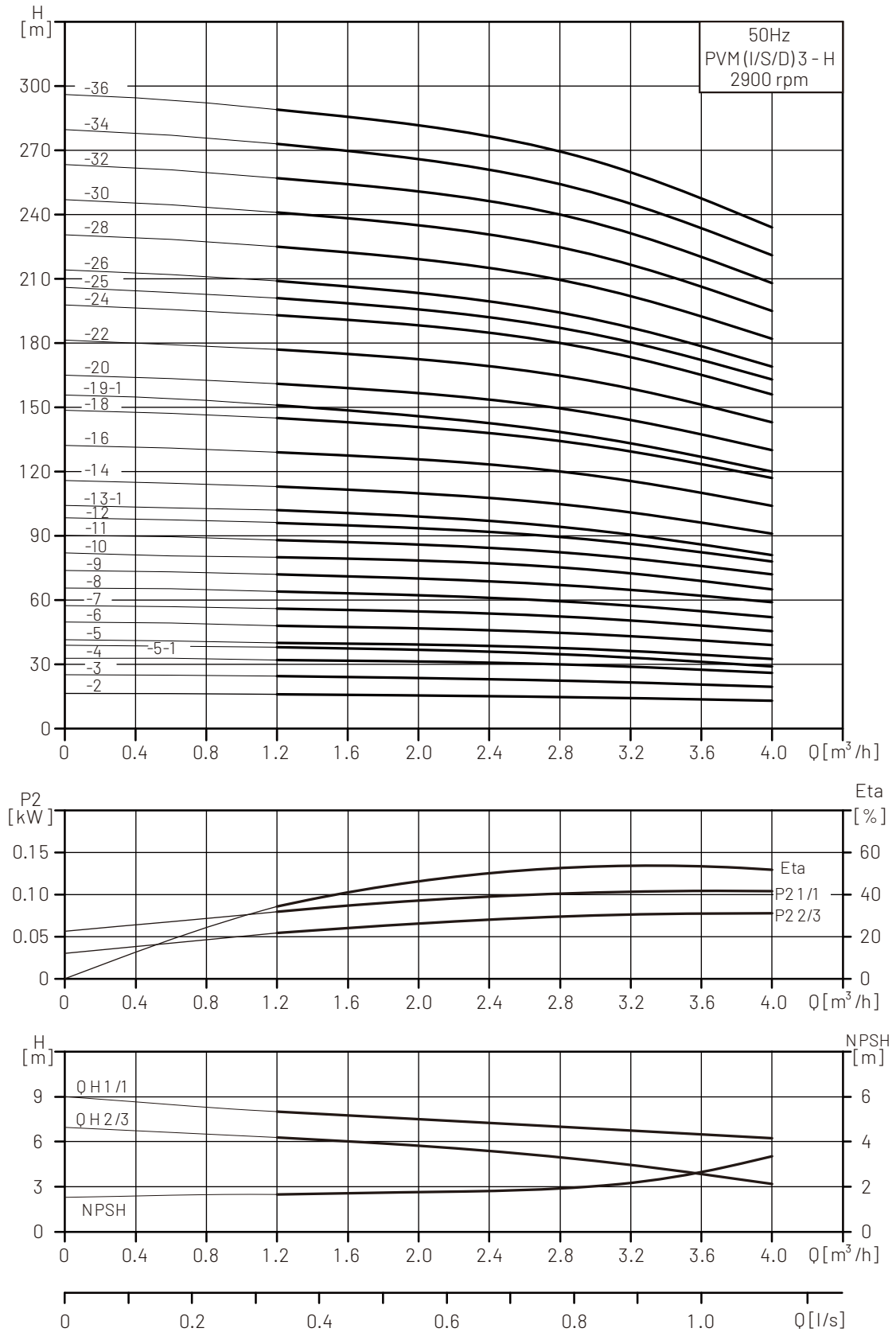
Model	Motor (kW)	Q (m <sup>3</sup> /h)	H (m)												
			0.4	0.6	0.8	1.0	1.2	1.4	1.6	1.8	2	2.2	2.4		
PVM(I/S/D)1-2-H	0.37	H (m)	18	17.7	17.4	17	16.8	16.5	16	15.5	15	14	13		
PVM(I/S/D)1-3-H	0.37		27	26.7	26.4	26	25	24.5	24	23	22	21	20		
PVM(I/S/D)1-4-H	0.37		36	35.5	35	34	33.5	33	32	31	30	28	27		
PVM(I/S/D)1-5-1-H	0.37		43	42	41	39.5	39	38	37	36	34	33	31		
PVM(I/S/D)1-5-H	0.55		45	44.5	44	43	42	41	40	38.5	37	35	33.5		
PVM(I/S/D)1-6-H	0.55		54	53.5	53	51	50	49	48	46	44	42	40		
PVM(I/S/D)1-7-H	0.55		63	62.5	61.5	60	59	58	56	54	52	50	47		
PVM(I/S/D)1-8-H	0.75		72	71.5	70	69	67	66	64	62	59	57	54		
PVM(I/S/D)1-9-H	0.75		81	80	79	77	76	74	72	69	67	64	60		
PVM(I/S/D)1-10-H	0.75		90	89	88	86	84	82	80	77	74	71	67		
PVM(I/S/D)1-11-H	1.1		99	98	97	94	93	90	88	85	81	78	74		
PVM(I/S/D)1-12-H	1.1		108	107	105	103	101	99	96	93	89	85	80		
PVM(I/S/D)1-13-H	1.1		117	116	114	111	110	107	104	100	96	92	87		
PVM(I/S/D)1-15-H	1.1		135	134	132	129	126	123	120	116	111	106	100		
PVM(I/S/D)1-17-H	1.5		153	151.5	150	146	143	140	135	131	126	120	114		
PVM(I/S/D)1-20-2-H	1.5		175	173	170	167	163	158	153	148	142	136	128		
PVM(I/S/D)1-21-H	2.2		189	187.5	185	180	177	173	167	162	155	149	141		
PVM(I/S/D)1-23-H	2.2		207	205	202	197	194	189	183	177	170	163	154		
PVM(I/S/D)1-25-H	2.2		225	223	220	214	211	206	199	193	185	177	167		
PVM(I/S/D)1-27-H	2.2		243	241	238	231	227	222	215	208	200	191	181		
PVM(I/S/D)1-30-H	2.2		270	268	264	257	253	247	239	231	222	212	201		
PVM(I/S/D)1-33-H	3		297	295	290	283	278	271	263	255	244	234	221		
PVM(I/S/D)1-35-H	3		315	312	308	300	295	288	279	270	259	248	234		
PVM(I/S/D)1-36-H	3		324	321	317	309	303	296	287	278	266	255	241		



# PVM (I/S/D)3 - H

## VERTICAL MULTISTAGE CENTRIFUGAL PUMP

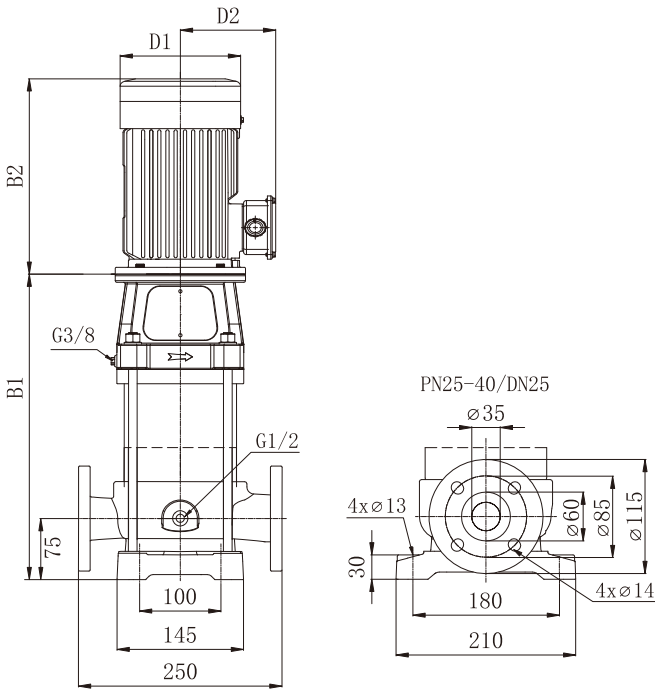
### HYDRAULIC PERFORMANCE



# PVM (I/S/D)3 - H

## VERTICAL MULTISTAGE CENTRIFUGAL PUMP

### Installation Drawing



### Dimension & Weight

Model	Dimension ( mm )					Weight ( kg )
	B1	B2	B1+B2	D1	D2	
PVM (I/S/D) 3-2-H	262	240	502	148	117	23
PVM (I/S/D) 3-3-H	280	240	520	148	117	24
PVM (I/S/D) 3-4-H	298	240	538	148	117	25
PVM (I/S/D) 3-5-1-H	316	240	556	148	117	26
PVM (I/S/D) 3-5-H	326	280	606	170	142	35
PVM (I/S/D) 3-6-H	344	280	624	170	142	36
PVM (I/S/D) 3-7-H	362	280	642	170	142	38
PVM (I/S/D) 3-8-H	380	280	660	170	142	39
PVM (I/S/D) 3-9-H	398	280	678	170	142	40
PVM (I/S/D) 3-10-H	426	350	776	190	155	41
PVM (I/S/D) 3-11-H	444	350	794	190	155	48
PVM (I/S/D) 3-12-H	462	350	812	190	155	48
PVM (I/S/D) 3-13-1-H	480	350	830	190	155	49
PVM (I/S/D) 3-14-H	498	350	848	190	155	54
PVM (I/S/D) 3-16-H	534	350	884	190	155	54
PVM (I/S/D) 3-18-H	570	350	920	190	155	55
PVM (I/S/D) 3-19-1-H	588	350	938	190	155	56
PVM (I/S/D) 3-20-H	616	410	1026	196	165	63
PVM (I/S/D) 3-22-H	652	410	1062	196	165	65
PVM (I/S/D) 3-24-H	688	410	1098	196	165	66
PVM (I/S/D) 3-25-H	706	410	1116	196	165	67
PVM (I/S/D) 3-26-H	724	410	1134	230	185	77
PVM (I/S/D) 3-28-H	760	410	1170	230	185	78
PVM (I/S/D) 3-30-H	796	410	1206	230	185	79
PVM (I/S/D) 3-32-H	832	410	1242	230	185	81
PVM (I/S/D) 3-34-H	888	465	1353	260	210	106
PVM (I/S/D) 3-36-H	924	465	1389	260	210	108

Note: PVM-H is 1.5kg heavier than PVM I/S/D-H under same model.

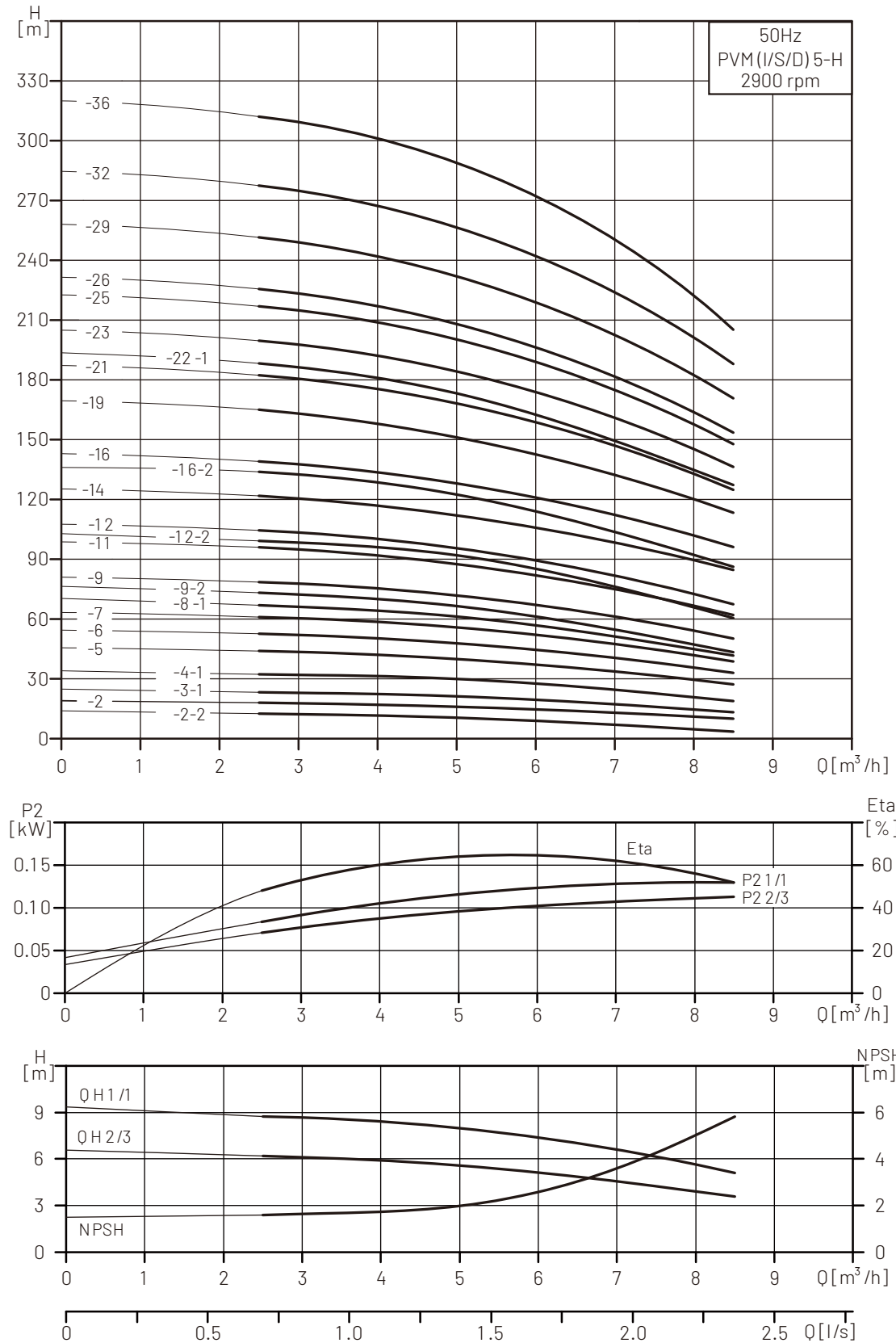
### Performance Table

Model	Motor (kW)	Q (m <sup>3</sup> /h)	H (m)										
			1.2	1.6	2	2.4	2.8	3	3.2	3.6	4		
PVM (I/S/D) 3-2-H	0.37	H (m)	16	15.8	15.5	15.2	14.8	14.5	14	13.5	13		
PVM (I/S/D) 3-3-H	0.37		24.5	24	23.5	23	22.5	22	21.5	20.5	19.5		
PVM (I/S/D) 3-4-H	0.55		32	31.5	31	30.5	30	29.5	28.5	27.5	26		
PVM (I/S/D) 3-5-1-H	0.55		38	37	37	36	35	34	33	31	29		
PVM (I/S/D) 3-5-H	0.75		40	39.5	39	38	37	37	36	34	32.5		
PVM (I/S/D) 3-6-H	0.75		48	47.5	47	45.5	44.5	44	43	41	39		
PVM (I/S/D) 3-7-H	1.1		56	55	54.5	53	52	51.5	50	48	45.5		
PVM (I/S/D) 3-8-H	1.1		64	63	62.5	60.5	59	58.5	57	54.5	52		
PVM (I/S/D) 3-9-H	1.1		72	71	70	68	67	66	65	61	59		
PVM (I/S/D) 3-10-H	1.5		80	79	78	76	74	74	72	68	65		
PVM (I/S/D) 3-11-H	1.5		88	87	86	83	81	81	79	75	72		
PVM (I/S/D) 3-12-H	1.5		96	95	94	91	89	88	86	82	78		
PVM (I/S/D) 3-13-1-H	1.5		102	101	100	96	94	93	91	86	81		
PVM (I/S/D) 3-14-H	2.2		113	110	110	106	103	103	100	95	91		
PVM (I/S/D) 3-16-H	2.2		129	126	125	121	118	118	115	109	104		
PVM (I/S/D) 3-18-H	2.2		145	142	141	136	133	132	129	123	117		
PVM (I/S/D) 3-19-1-H	2.2		151	148	147	141	138	137	134	127	120		
PVM (I/S/D) 3-20-H	3		161	158	157	152	148	147	143	136	130		
PVM (I/S/D) 3-22-H	3		177	173	172	167	163	162	158	150	143		
PVM (I/S/D) 3-24-H	3		193	189	188	182	177	177	172	164	156		
PVM (I/S/D) 3-25-H	3		201	197	196	190	185	184	179	170	163		
PVM (I/S/D) 3-26-H	4		209	205	204	197	192	191	186	177	169		
PVM (I/S/D) 3-28-H	4		225	221	219	212	207	206	201	191	182		
PVM (I/S/D) 3-30-H	4		241	236	235	227	222	221	215	205	195		
PVM (I/S/D) 3-32-H	4		257	252	251	243	236	236	229	218	208		
PVM (I/S/D) 3-34-H	5.5		273	268	266	258	251	250	244	232	221		
PVM (I/S/D) 3-36-H	5.5		289	284	282	273	266	265	258	245	234		

# PVM (I/S/D)5 - H

## VERTICAL MULTISTAGE CENTRIFUGAL PUMP

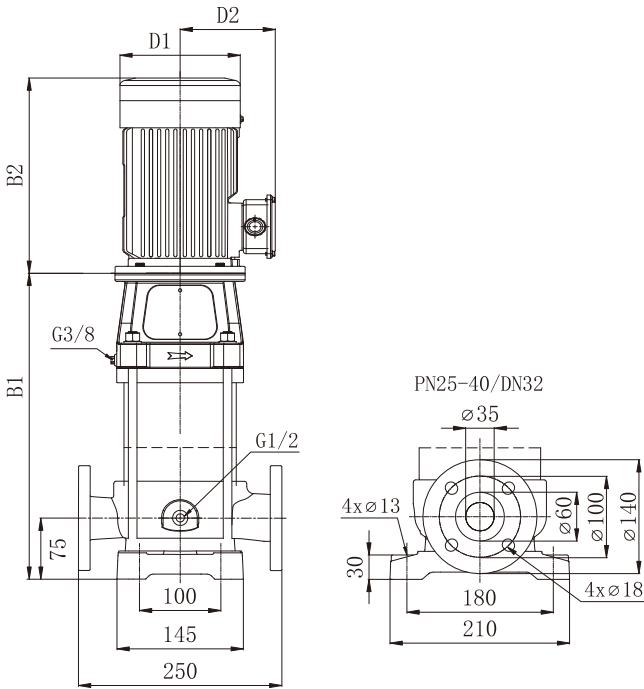
### HYDRAULIC PERFORMANCE



# PVM (I/S/D)5 - H

## VERTICAL MULTISTAGE CENTRIFUGAL PUMP

### Installation Drawing



### Dimension & Weight

Model	Dimension (mm)					Weight (kg)
	B1	B2	B1+B2	D1	D2	
PVM (I/S/D) 5-2-2-H	280	240	520	148	117	23
PVM (I/S/D) 5-2-H	280	240	520	148	117	24
PVM (I/S/D) 5-3-1-H	307	240	547	148	117	24
PVM (I/S/D) 5-4-1-H	344	280	624	170	142	34
PVM (I/S/D) 5-5-H	371	280	651	170	142	36
PVM (I/S/D) 5-6-H	398	280	678	170	142	37
PVM (I/S/D) 5-7-H	435	350	785	190	155	44
PVM (I/S/D) 5-8-1-H	462	350	812	190	155	45
PVM (I/S/D) 5-9-2-H	489	350	839	190	155	46
PVM (I/S/D) 5-9-H	489	350	839	190	155	50
PVM (I/S/D) 5-11-H	543	350	893	190	155	50
PVM (I/S/D) 5-12-2-H	570	350	920	190	155	51
PVM (I/S/D) 5-12-H	570	350	920	190	155	52
PVM (I/S/D) 5-14-H	634	410	1044	196	165	59
PVM (I/S/D) 5-16-2-H	688	410	1098	196	165	61
PVM (I/S/D) 5-16-H	688	410	1098	196	165	61
PVM (I/S/D) 5-19-H	769	410	1179	230	185	72
PVM (I/S/D) 5-21-H	823	410	1233	230	185	74
PVM (I/S/D) 5-22-1-H	850	410	1260	230	185	74
PVM (I/S/D) 5-23-H	897	465	1362	260	210	99
PVM (I/S/D) 5-25-H	951	465	1416	260	210	100
PVM (I/S/D) 5-26-H	978	465	1443	260	210	101
PVM (I/S/D) 5-29-H	1059	465	1524	260	210	110
PVM (I/S/D) 5-32-H	1140	465	1605	260	210	112
PVM (I/S/D) 5-36-H	1248	465	1713	260	210	116

Note: PVM-H is 1.5kg heavier than PVM I/S/D-H under same model.

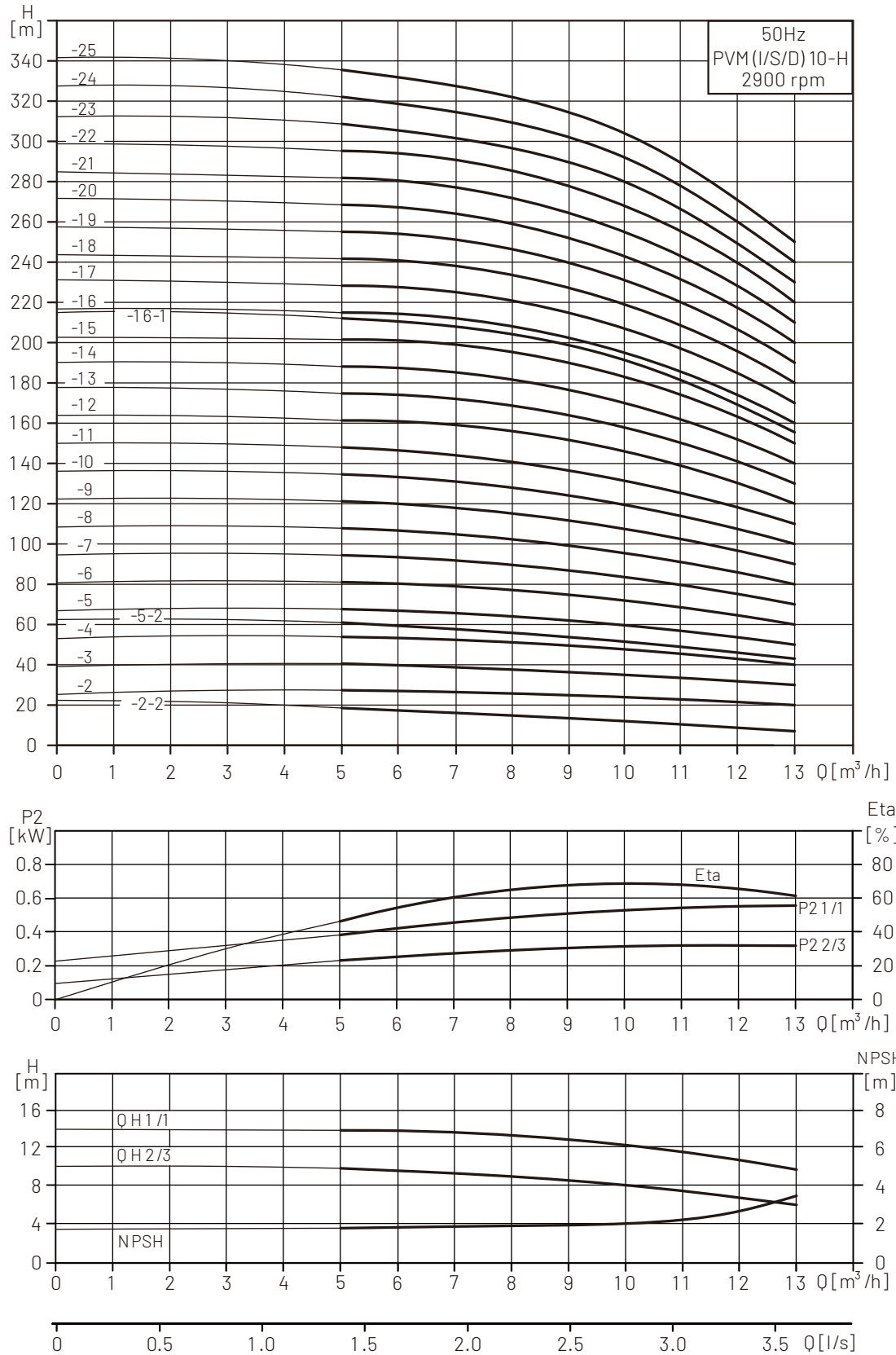
### Performance Table

Model	Motor (kW)	Q (m <sup>3</sup> /h)	H (m)						
			2.5	4	5	6	7	8.5	
PVM (I/S/D) 5-2-2-H	0.37	H (m)	12.5	11.5	10.5	9	7	3.5	
PVM (I/S/D) 5-2-H	0.55		17	16.5	16	15	14	12	
PVM (I/S/D) 5-3-1-H	0.55		23	22	21	20	17	13	
PVM (I/S/D) 5-4-1-H	0.75		32	31	30	27	24	19	
PVM (I/S/D) 5-5-H	1.1		43	42	40	38	35	29	
PVM (I/S/D) 5-6-H	1.1		52	50	48	45	42	34	
PVM (I/S/D) 5-7-H	1.5		61	59	56	53	49	40	
PVM (I/S/D) 5-8-1-H	1.5		67	64	61	57	52	42	
PVM (I/S/D) 5-9-2-H	1.5		73	70	67	62	56	43	
PVM (I/S/D) 5-9-H	2.2		78	75	72	68	62	51	
PVM (I/S/D) 5-11-H	2.2		95	92	88	83	76	63	
PVM (I/S/D) 5-12-2-H	2.2		99	95	92	85	76	61	
PVM (I/S/D) 5-12-H	2.2		104	101	96	91	83	68	
PVM (I/S/D) 5-14-H	3		121	117	112	106	97	80	
PVM (I/S/D) 5-16-2-H	3		134	129	123	115	104	83	
PVM (I/S/D) 5-16-H	3		139	134	128	121	111	91	
PVM (I/S/D) 5-19-H	4		165	159	152	143	132	108	
PVM (I/S/D) 5-21-H	4		182	176	168	159	146	120	
PVM (I/S/D) 5-22-1-H	4		188	182	173	163	149	121	
PVM (I/S/D) 5-23-H	5.5		199	193	184	174	160	131	
PVM (I/S/D) 5-25-H	5.5		217	210	200	189	174	143	
PVM (I/S/D) 5-26-H	5.5		225	218	208	196	181	148	
PVM (I/S/D) 5-29-H	7.5		251	243	232	219	201	165	
PVM (I/S/D) 5-32-H	7.5		277	268	256	242	222	182	
PVM (I/S/D) 5-36-H	7.5		312	302	288	272	250	205	

# PVM (I/S/D)10 - H

VERTICAL MULTISTAGE CENTRIFUGAL PUMP

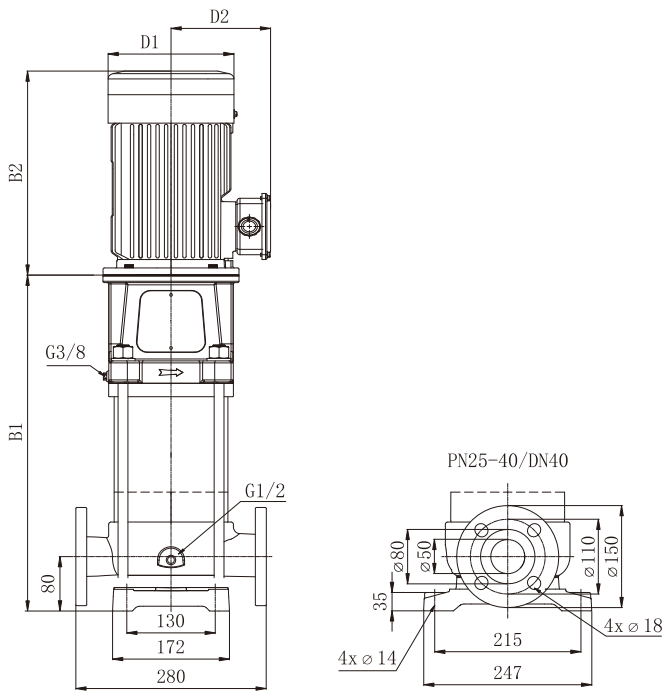
## HYDRAULIC PERFORMANCE



# PVM (I/S/D)10 - H

## VERTICAL MULTISTAGE CENTRIFUGAL PUMP

### Installation Drawing



### Dimension & Weight

Model	Dimension ( mm )					Weight (kg)
	B1	B2	B1+B2	D1	D2	
PVM(I/S/D)10-2-2-H	355	280	635	170	142	37
PVM(I/S/D)10-2-H	355	280	635	170	142	39
PVM(I/S/D)10-3-H	395	350	745	170	142	47
PVM(I/S/D)10-4-H	425	350	775	190	155	52
PVM(I/S/D)10-5-2-H	455	350	805	190	155	53
PVM(I/S/D)10-5-H	465	410	875	196	165	59
PVM(I/S/D)10-6-H	495	410	905	196	165	60
PVM(I/S/D)10-7-H	525	410	935	230	185	70
PVM(I/S/D)10-8-H	555	410	965	230	185	71
PVM(I/S/D)10-9-H	605	465	1070	260	210	98
PVM(I/S/D)10-10-H	635	465	1100	260	210	99
PVM(I/S/D)10-11-H	665	465	1130	260	210	100
PVM(I/S/D)10-12-H	695	465	1160	260	210	108
PVM(I/S/D)10-13-H	725	465	1190	260	210	109
PVM(I/S/D)10-14-H	755	465	1220	260	210	110
PVM(I/S/D)10-15-H	785	465	1250	260	210	111
PVM(I/S/D)10-16-1-H	815	465	1280	260	210	112
PVM(I/S/D)10-16-H	904	610	1514	350	260	167
PVM(I/S/D)10-17-H	934	610	1544	350	260	168
PVM(I/S/D)10-18-H	964	610	1574	350	260	169
PVM(I/S/D)10-19-H	994	610	1604	350	260	170
PVM(I/S/D)10-20-H	1024	610	1634	350	260	171
PVM(I/S/D)10-21-H	1054	610	1664	350	260	173
PVM(I/S/D)10-22-H	1084	610	1694	350	260	181
PVM(I/S/D)10-23-H	1114	610	1724	350	260	182
PVM(I/S/D)10-24-H	1144	610	1754	350	260	183
PVM(I/S/D)10-25-H	1174	610	1784	350	260	184

Note: PVM-H is 2.6kg heavier than PVM(I/S/D)-H under same model.

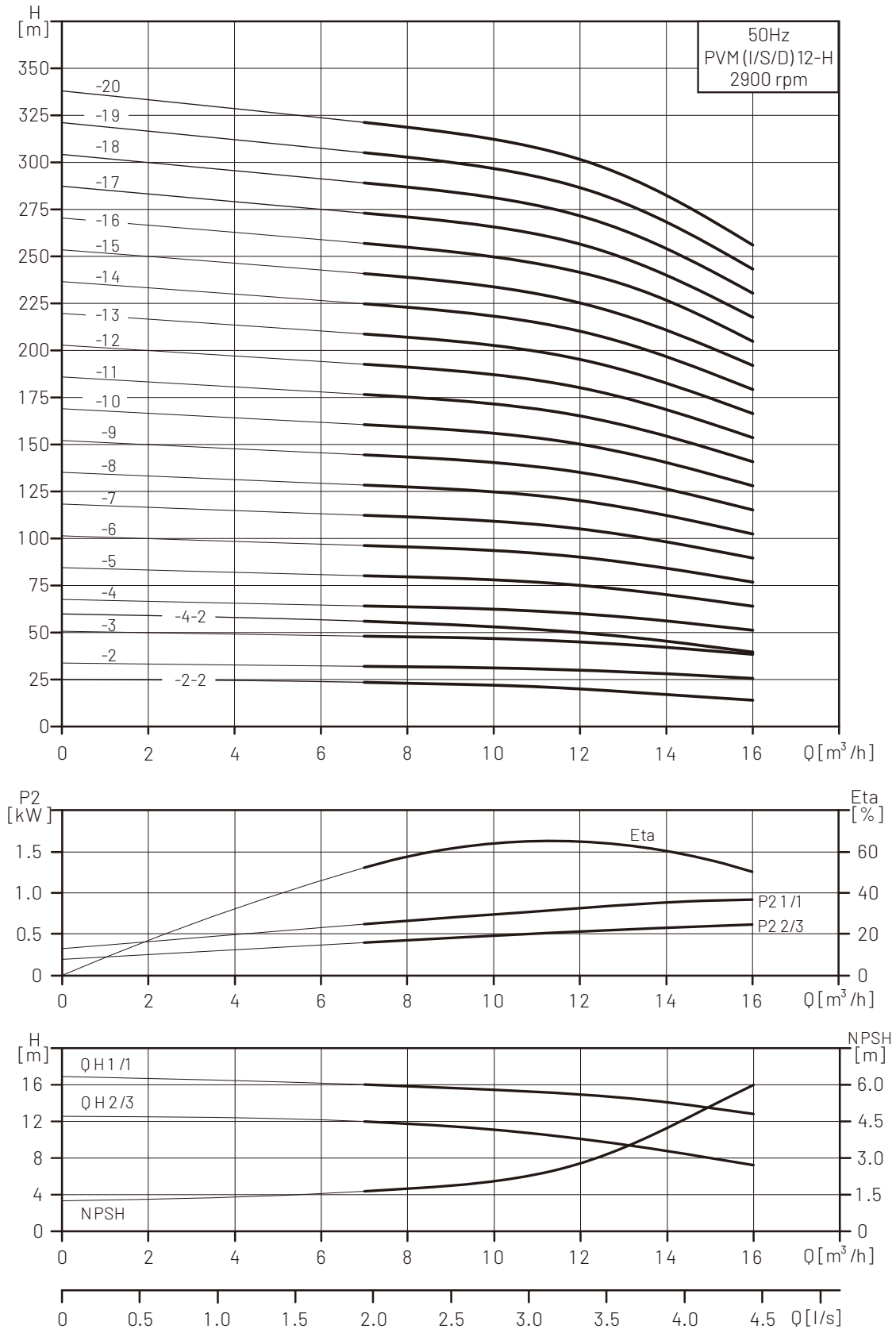
### Performance Table

Model	Motor (kW)	Q (m³/h)	H (m)									
			5	6	7	8	9	10	11	12	13	
PVM(I/S/D)10-2-2-H	0.75		18.5	17	16	14	13	12	10	8.5	7	
PVM(I/S/D)10-2-H	1.1		28	27	26	25.5	25	24	23	22	20	
PVM(I/S/D)10-3-H	1.5		41	40	39.5	38	37	35	34	32	30	
PVM(I/S/D)10-4-H	2.2		55	53	52	51	49.5	48	46	43	40	
PVM(I/S/D)10-5-2-H	2.2		61	59	58	56	54	51.5	49	47	43	
PVM(I/S/D)10-5-H	3		68	67	66	64	62	60	57	54	50	
PVM(I/S/D)10-6-H	3		82	79	78	77	74	72	69	65	60	
PVM(I/S/D)10-7-H	4		96	93	92	90	87	84	80	75	70	
PVM(I/S/D)10-8-H	4		109	107	105	103	99	96	91	86	80	
PVM(I/S/D)10-9-H	5.5		123	120	118	115	111	108	103	97	90	
PVM(I/S/D)10-10-H	5.5		137	134	131	128	124	120	114	108	100	
PVM(I/S/D)10-11-H	5.5		150	147	144	141	136	132	126	118	110	
PVM(I/S/D)10-12-H	7.5		164	160	157	154	149	144	137	129	120	
PVM(I/S/D)10-13-H	7.5		177	174	170	167	161	156	149	140	130	
PVM(I/S/D)10-14-H	7.5		191	187	183	179	173	168	160	151	140	
PVM(I/S/D)10-15-H	7.5		205	200	197	192	186	180	171	162	150	
PVM(I/S/D)10-16-1-H	7.5		214	208	205	199	192	186	176	166	153	
PVM(I/S/D)10-16-H	11		218	214	210	205	198	192	183	172	160	
PVM(I/S/D)10-17-H	11		232	227	223	218	210	204	194	183	170	
PVM(I/S/D)10-18-H	11		246	240	236	231	223	216	206	194	180	
PVM(I/S/D)10-19-H	11		259	254	249	244	235	228	217	205	190	
PVM(I/S/D)10-20-H	11		273	267	262	256	248	240	229	215	200	
PVM(I/S/D)10-21-H	11		287	280	275	269	260	252	240	226	210	
PVM(I/S/D)10-22-H	15		300	294	288	282	272	264	251	237	220	
PVM(I/S/D)10-23-H	15		309	305	301	297	290	280	266	249	230	
PVM(I/S/D)10-24-H	15		322	319	314	309	302	292	278	260	240	
PVM(I/S/D)10-25-H	15		335	332	327	322	314	304	289	271	250	

# PVM (I/S/D)12 - H

## VERTICAL MULTISTAGE CENTRIFUGAL PUMP

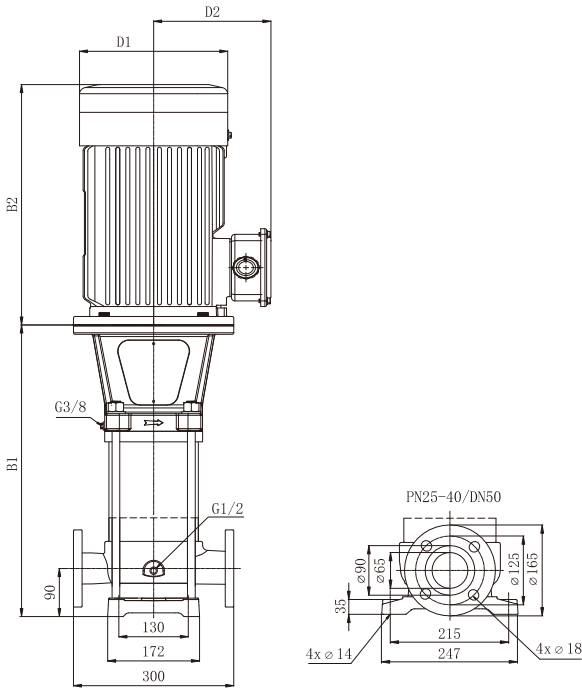
### HYDRAULIC PERFORMANCE



# PVM (I/S/D)12 - H

## VERTICAL MULTISTAGE CENTRIFUGAL PUMP

### Installation Drawing



### Dimension & Weight

Model	Dimension ( mm )					Weight (kg)
	B1	B2	B1+B2	D1	D2	
PVM (I/S/D) 12-2-2-H	365	350	715	190	155	47
PVH (I/S/D) 12-2-H	365	350	715	190	155	51
PVM (I/S/D) 12-3-H	405	410	815	196	165	58
PVM (I/S/D) 12-4-2-H	435	410	845	196	165	59
PVM (I/S/D) 12-4-H	435	410	845	230	185	68
PVM (I/S/D) 12-5-H	485	465	950	260	210	94
PVM (I/S/D) 12-6-H	515	465	980	260	210	95
PVM (I/S/D) 12-7-H	545	465	1010	260	210	103
PVM (I/S/D) 12-8-H	575	465	1040	260	210	104
PVM (I/S/D) 12-9-H	694	610	1304	350	260	159
PVM (I/S/D) 12-10-H	724	610	1334	350	260	160
PVM (I/S/D) 12-11-H	754	610	1364	350	260	161
PVM (I/S/D) 12-12-H	784	610	1394	350	260	163
PVM (I/S/D) 12-13-H	814	610	1424	350	260	171
PVM (I/S/D) 12-14-H	844	610	1454	350	260	172
PVM (I/S/D) 12-15-H	874	610	1484	350	260	173
PVM (I/S/D) 12-16-H	904	610	1514	350	260	174
PVM (I/S/D) 12-17-H	934	610	1544	350	260	175
PVM (I/S/D) 12-18-H	964	640	1604	350	260	198
PVM (I/S/D) 12-19-H	994	640	1634	350	260	199
PVM (I/S/D) 12-20-H	1024	640	1664	350	260	200

Note: PVM -H is 2.6kg heavier than PVM I/S/D-H under same model.

### Performance Table

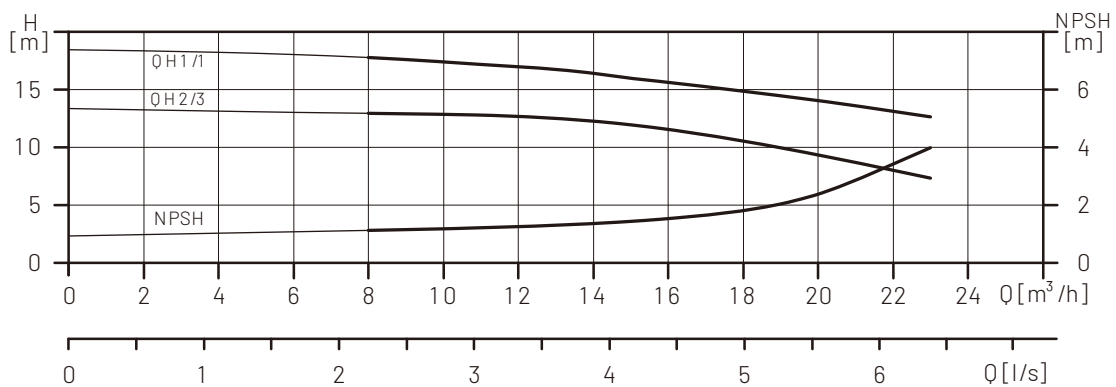
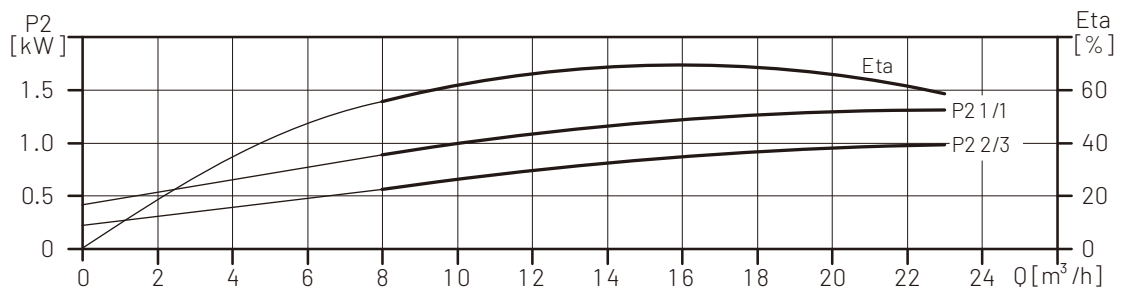
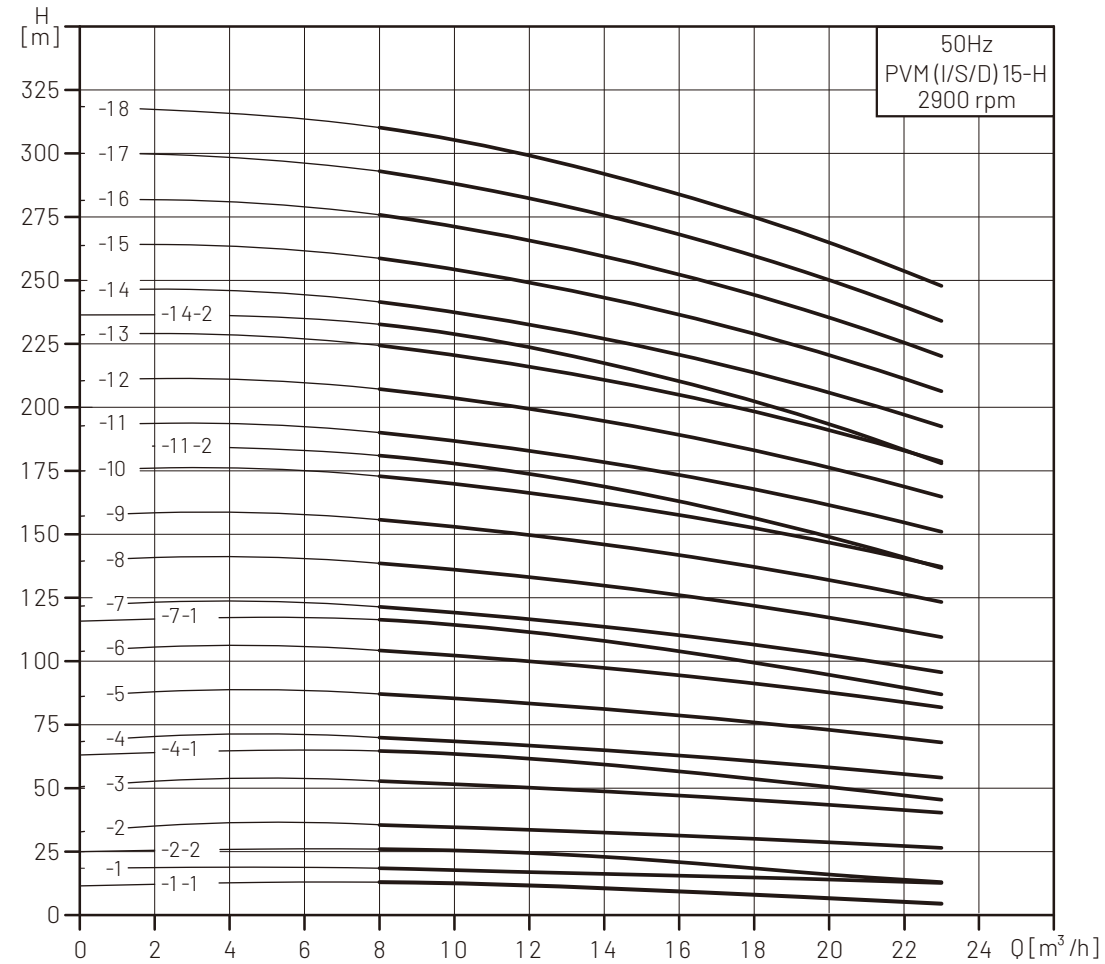
Model	Motor (kW)	Q (m <sup>3</sup> /h)	H (m)											
			7	8	9	10	11	12	13	14	15	16		
PVM (I/S/D) 12-2-2-H	1.5	H (m)	24	23	23	22	21	20	19	17	16	14		
PVM (I/S/D) 12-2-H	2.2		32.5	32	31.5	31	30.5	30	29	28	27	26		
PVM (I/S/D) 12-3-H	3		48	47.5	47	46.5	46	45	44	42	41	38		
PVM (I/S/D) 12-4-2-H	3		56	55	54	53	52	50	48	45	43	40		
PVM (I/S/D) 12-4-H	4		64	63.5	63	62	61	60	59	56	54	51		
PVM (I/S/D) 12-5-H	5.5		80	79.5	79	78	77	75	74	71	68	64		
PVM (I/S/D) 12-6-H	5.5		96	95	94	93	92	90	88	85	81	77		
PVM (I/S/D) 12-7-H	7.5		112	111	110	109	107	105	103	99	95	90		
PVM (I/S/D) 12-8-H	7.5		128	127	126	124	122	120	118	113	108	102		
PVM (I/S/D) 12-9-H	11		144	143	141	140	138	135	132	127	122	115		
PVM (I/S/D) 12-10-H	11		160	159	157	155	153	150	147	141	135	128		
PVM (I/S/D) 12-11-H	11		176	175	173	171	168	165	162	155	149	141		
PVM (I/S/D) 12-12-H	11		192	191	188	186	184	180	176	169	162	154		
PVM (I/S/D) 12-13-H	15		208	207	204	202	199	195	191	183	176	166		
PVM (I/S/D) 12-14-H	15		224	223	220	217	214	210	206	197	189	179		
PVM (I/S/D) 12-15-H	15		240	239	236	233	230	225	221	212	203	192		
PVM (I/S/D) 12-16-H	15		256	254	251	248	245	240	235	226	216	205		
PVM (I/S/D) 12-17-H	15		272	270	267	264	260	255	250	240	230	217		
PVM (I/S/D) 12-18-H	18.5		288	286	283	279	276	270	265	254	243	230		
PVM (I/S/D) 12-19-H	18.5		304	302	298	295	291	285	279	268	257	243		
PVM (I/S/D) 12-20-H	18.5	320	318	314	310	306	300	294	282	270	256			



# PVM (I/S/D)15 - H

## VERTICAL MULTISTAGE CENTRIFUGAL PUMP

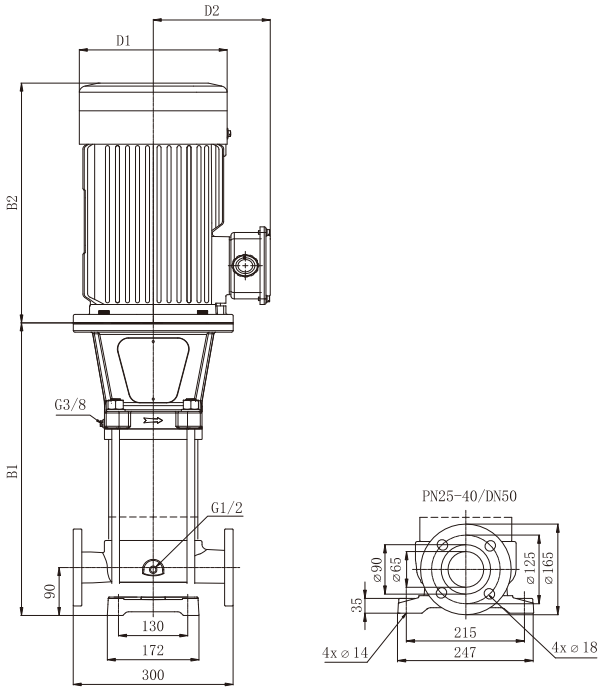
### HYDRAULIC PERFORMANCE



# PVM (I/S/D)15 - H

## VERTICAL MULTISTAGE CENTRIFUGAL PUMP

### Installation Drawing



### Dimension & Weight

Model	Dimension ( mm )					Weight (kg)
	B1	B2	B1+B2	D1	D2	
PVM(I/S/D) 15-1-1-H	346	280	626	170	142	39
PVM(I/S/D) 15-1-H	356	350	706	190	155	45
PVM(I/S/D) 15-2-2-H	401	350	751	190	155	51
PVM(I/S/D) 15-2-H	411	410	821	196	165	58
PVM(I/S/D) 15-3-H	456	410	866	230	185	68
PVM(I/S/D) 15-4-1-H	501	410	911	230	185	69
PVM(I/S/D) 15-4-H	521	465	986	260	210	93
PVM(I/S/D) 15-5-H	566	465	1031	260	210	94
PVM(I/S/D) 15-6-H	611	465	1076	260	210	102
PVM(I/S/D) 15-7-1-H	656	465	1121	260	210	103
PVM(I/S/D) 15-7-H	745	610	1355	350	260	158
PVM(I/S/D) 15-8-H	790	610	1400	350	260	159
PVM(I/S/D) 15-9-H	835	610	1445	350	260	160
PVM(I/S/D) 15-10-H	880	610	1490	350	260	161
PVM(I/S/D) 15-11-2-H	925	610	1535	350	260	162
PVM(I/S/D) 15-11-H	925	610	1535	350	260	171
PVM(I/S/D) 15-12-H	970	610	1580	350	260	172
PVM(I/S/D) 15-13-H	1015	610	1625	350	260	173
PVM(I/S/D) 15-14-2-H	1060	610	1670	350	260	174
PVM(I/S/D) 15-14-H	1060	640	1700	350	260	196
PVM(I/S/D) 15-15-H	1105	640	1745	350	260	197
PVM(I/S/D) 15-16-H	1150	640	1790	350	260	198
PVM(I/S/D) 15-17-H	1195	670	1865	360	285	232
PVM(I/S/D) 15-18-H	1240	670	1910	360	285	233

Note: PVM-H is 2.8kg heavier than PVM(I/S/D)-H under same model.

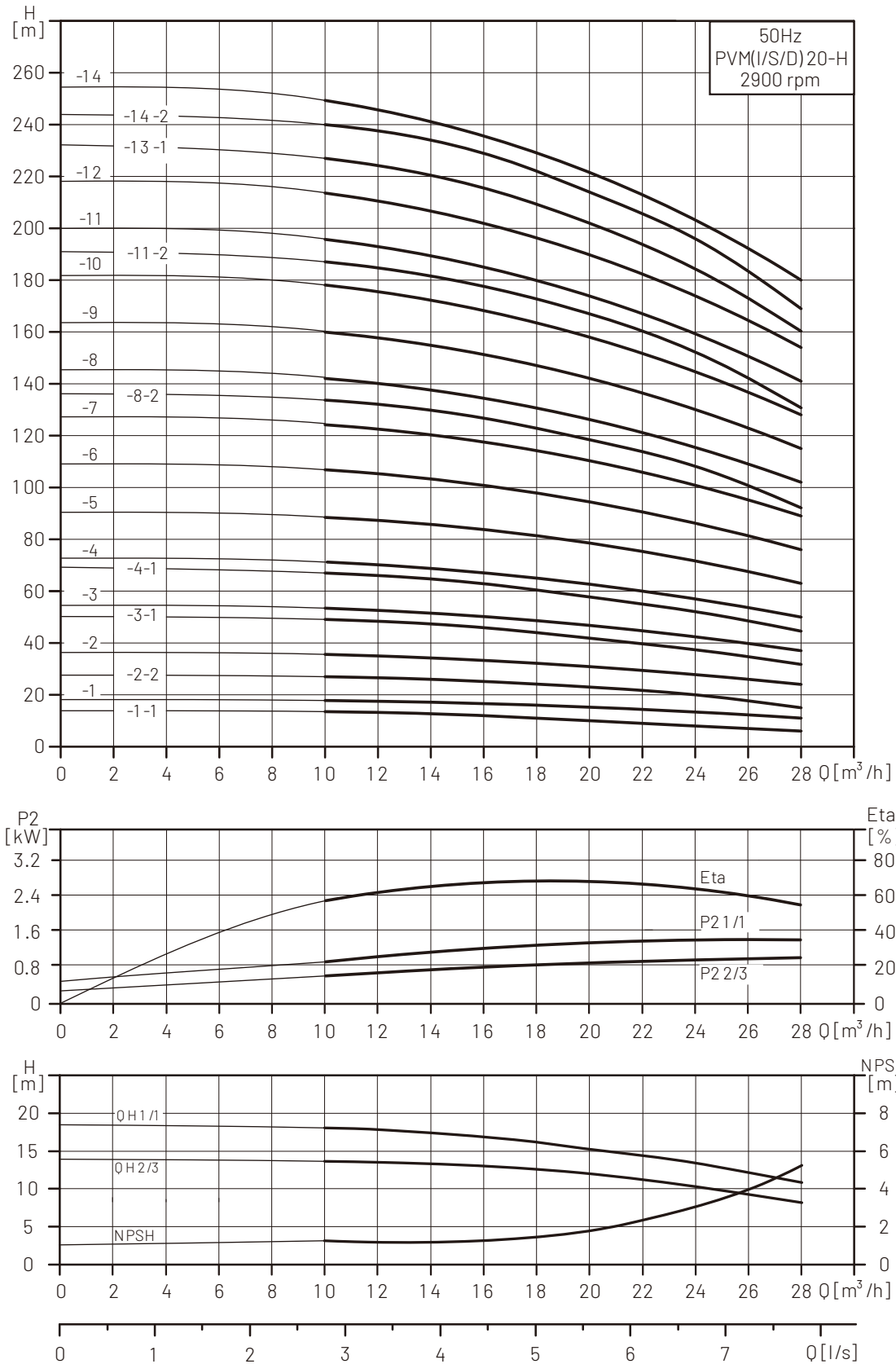
### Performance Table

Model	Motor	Q (m <sup>3</sup> /h)	8	10	12	14	15	16	18	20	23
PVM(I/S/D) 15-1-1-H	1.1	H (m)	13	12	11.5	10.5	10	9	7.5	6	4.5
PVM(I/S/D) 15-1-H	1.5		17.5	17	16.6	16.3	16	15.5	15	14.5	14
PVM(I/S/D) 15-2-2-H	2.2		26	25	24	23	22	20.5	18	16	13
PVM(I/S/D) 15-2-H	3		34.5	34	33	32.5	32	31.5	30.5	29.5	28
PVM(I/S/D) 15-3-H	4		52	51	50	49	48	47.5	46	44.5	41
PVM(I/S/D) 15-4-1-H	4		65	63	61	59	58	57	54	51	46
PVM(I/S/D) 15-4-H	5.5		69	68	66.5	65	64	63	61	59	55
PVM(I/S/D) 15-5-H	5.5		86	85	83	81	80	79	77	74	69
PVM(I/S/D) 15-6-H	7.5		103	102	100	98	96	95	92	89	83
PVM(I/S/D) 15-7-1-H	7.5		116	114	111	108	106	104	99	95	87
PVM(I/S/D) 15-7-H	11		121	119	116	114	112	111	107	104	96
PVM(I/S/D) 15-8-H	11		138	136	133	130	128	127	122	118	110
PVM(I/S/D) 15-9-H	11		155	153	149	146	144	143	138	133	124
PVM(I/S/D) 15-10-H	11		172	170	166	163	160	158	153	148	138
PVM(I/S/D) 15-11-2-H	11		181	178	173	169	166	163	156	149	137
PVM(I/S/D) 15-11-H	15		190	187	183	179	176	174	168	163	151
PVM(I/S/D) 15-12-H	15		207	204	199	195	192	190	184	177	165
PVM(I/S/D) 15-13-H	15		224	221	216	212	208	206	199	192	179
PVM(I/S/D) 15-14-2-H	15		233	229	223	218	214	211	202	193	178
PVM(I/S/D) 15-14-H	18.5		241	238	232	228	224	222	214	207	193
PVM(I/S/D) 15-15-H	18.5		258	255	249	244	240	238	230	222	206
PVM(I/S/D) 15-16-H	18.5		276	272	266	260	256	253	245	237	220
PVM(I/S/D) 15-17-H	22	293	288	282	277	272	269	260	251	234	
PVM(I/S/D) 15-18-H	22	310	305	299	293	288	285	275	266	248	

# PVM (I/S/D)20 - H

## VERTICAL MULTISTAGE CENTRIFUGAL PUMP

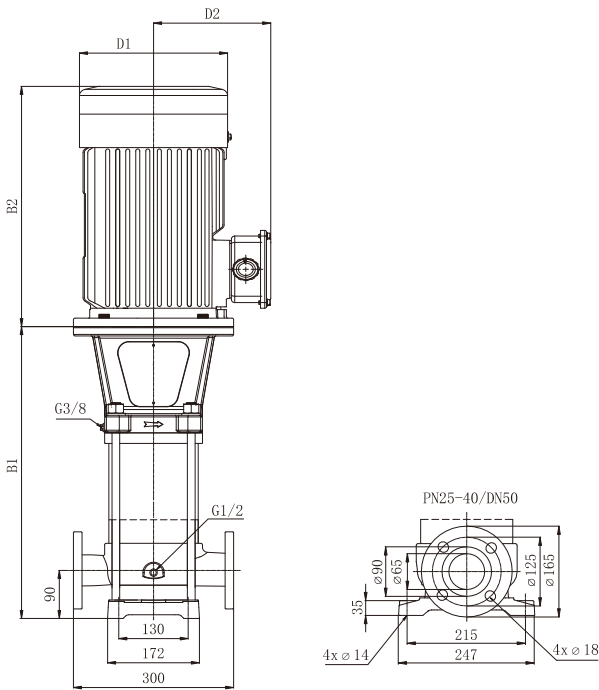
### HYDRAULIC PERFORMANCE



# PVM (I/S/D)20 - H

## VERTICAL MULTISTAGE CENTRIFUGAL PUMP

### Installation Drawing



### Dimension & Weight

Model	Dimension ( mm )					Weight (kg)
	B1	B2	B1+B2	D1	D2	
PVM (I/S/D) 20-1-1-H	346	280	626	170	142	40
PVM (I/S/D) 20-1-H	356	350	706	190	155	47
PVM (I/S/D) 20-2-2-H	401	350	751	190	155	52
PVM (I/S/D) 20-2-H	411	410	821	196	165	58
PVM (I/S/D) 20-3-1-H	456	410	866	230	185	69
PVM (I/S/D) 20-3-H	476	465	941	260	210	94
PVM (I/S/D) 20-4-1-H	521	465	986	260	210	95
PVM (I/S/D) 20-4-H	521	465	986	260	210	103
PVM (I/S/D) 20-5-H	566	465	1031	260	210	105
PVM (I/S/D) 20-6-H	700	610	1310	350	260	160
PVM (I/S/D) 20-7-H	745	610	1355	350	260	161
PVM (I/S/D) 20-8-2-H	790	610	1400	350	260	162
PVM (I/S/D) 20-8-H	790	610	1400	350	260	169
PVM (I/S/D) 20-9-H	835	610	1445	350	260	171
PVM (I/S/D) 20-10-H	880	610	1490	350	260	172
PVM (I/S/D) 20-11-2-H	925	610	1535	350	260	173
PVM (I/S/D) 20-11-H	925	640	1565	350	260	197
PVM (I/S/D) 20-12-H	970	640	1610	350	260	198
PVM (I/S/D) 20-13-1-H	1015	640	1655	350	260	199
PVM (I/S/D) 20-14-2-H	1060	670	1730	360	285	233
PVM (I/S/D) 20-14-H	1060	670	1730	360	285	234

Note: PVM-H is 2.8kg heavier than PVM I/S/D-H under same model.

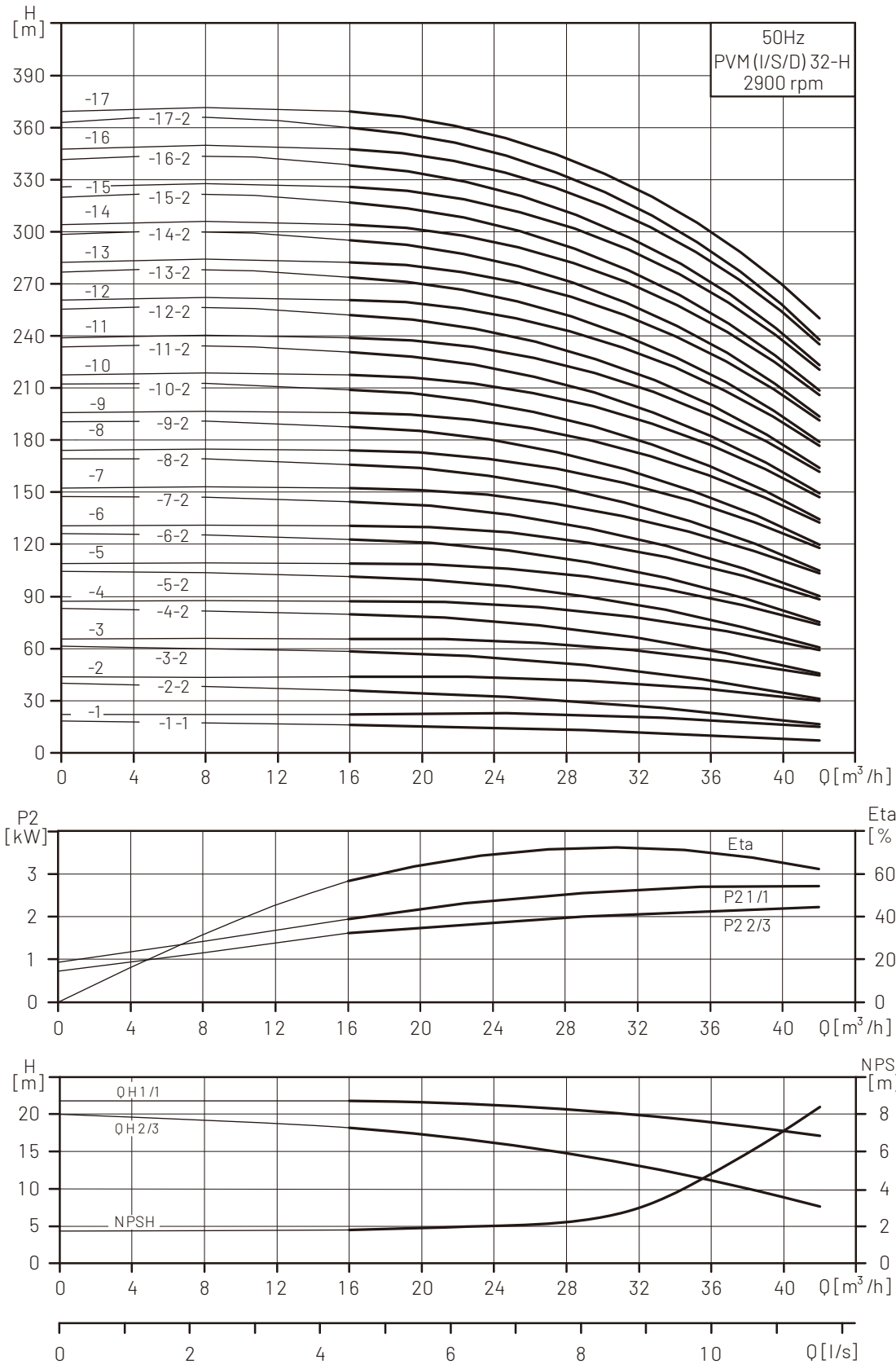
### Performance Table

Model	Motor (kW)	Q (m <sup>3</sup> /h)	H (m)									
			10	12	14	16	18	20	22	24	26	28
PVM (I/S/D) 20-1-1-H	1.1	H (m)	13.5	13	12.5	12	11	10	9	8	7	6
PVM (I/S/D) 20-1-H	1.5		18	17.5	17	16.5	16	15.5	15	14.5	14	13
PVM (I/S/D) 20-2-2-H	2.2		27	26.5	26	25	24	23	22	20	18	15
PVM (I/S/D) 20-2-H	3		36	35	34.5	34	33	32	31	29	28	26
PVM (I/S/D) 20-3-1-H	4		49	48	47	46	44	42	40	37	35	32
PVM (I/S/D) 20-3-H	5.5		53.5	53	52	51	49	48	46	44	41	39
PVM (I/S/D) 20-4-1-H	5.5		67	66	64	63	60	58	55	52	48	45
PVM (I/S/D) 20-4-H	7.5		71	70	69	68	66	64	62	59	55	51
PVM (I/S/D) 20-5-H	7.5		89	88	86	85	82	80	77	74	69	64
PVM (I/S/D) 20-6-H	11		107	105	104	102	98	95	92	88	83	77
PVM (I/S/D) 20-7-H	11		125	123	121	119	115	111	108	103	96	90
PVM (I/S/D) 20-8-2-H	11		134	132	130	127	122	118	114	108	101	92
PVM (I/S/D) 20-8-H	15		142	140	138	136	131	127	123	118	110	103
PVM (I/S/D) 20-9-H	15		160	158	155	153	148	143	138	132	124	116
PVM (I/S/D) 20-10-H	15		178	176	173	170	164	159	154	147	138	129
PVM (I/S/D) 20-11-2-H	15		187	185	181	178	172	167	160	152	142	131
PVM (I/S/D) 20-11-H	18.5		196	193	190	187	180	175	169	162	151	141
PVM (I/S/D) 20-12-H	18.5		213	211	207	204	197	191	185	176	165	154
PVM (I/S/D) 20-13-1-H	18.5		227	224	220	216	208	202	194	184	172	160
PVM (I/S/D) 20-14-2-H	22		240	237	233	229	221	214	207	196	183	169
PVM (I/S/D) 20-14-H	22		249	246	242	237	230	223	215	206	193	180

# PVM (I/S/D)32 - H

## VERTICAL MULTISTAGE CENTRIFUGAL PUMP

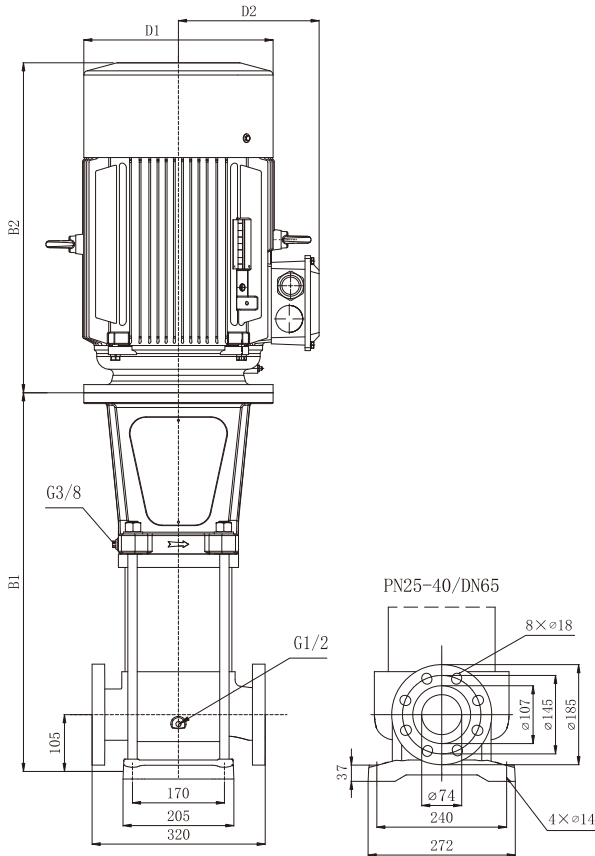
### HYDRAULIC PERFORMANCE



# PVM (I/S/D)32 - H

## VERTICAL MULTISTAGE CENTRIFUGAL PUMP

### Installation Drawing



### Dimension & Weight

Model	Dimension (mm)					Weight (kg)
	B1	B2	B1+B2	D1	D2	
PVM (I/S/D) 32-1-1-H	444	350	794	190	155	61
PVM (I/S/D) 32-1-H	454	410	864	196	165	67
PVM (I/S/D) 32-2-2-H	524	410	934	230	185	78
PVM (I/S/D) 32-2-H	530	465	995	260	210	102
PVM (I/S/D) 32-3-2/32-3-H	600	465	1065	260	210	111
PVM (I/S/D) 32-4-2/32-4-H	770	610	1380	350	260	169
PVM (I/S/D) 32-5-2-H	840	610	1450	350	260	171
PVM (I/S/D) 32-5-H	840	610	1450	350	260	178
PVM (I/S/D) 32-6-2/32-6-H	910	610	1520	350	260	180
PVM (I/S/D) 32-7-2/32-7-H	980	640	1620	350	260	204
PVM (I/S/D) 32-8-2-H	1050	640	1690	350	260	206
PVM (I/S/D) 32-8-H	1050	670	1720	360	285	240
PVM (I/S/D) 32-9-2/32-9-H	1120	670	1790	360	285	242
PVM (I/S/D) 32-10-2/32-10-H	1190	715	1905	400	310	316
PVM (I/S/D) 32-11-2/32-11-H	1260	715	1975	400	310	318
PVM (I/S/D) 32-12-2/32-12-H	1330	715	2045	400	310	320
PVM (I/S/D) 32-13-2/32-13-H	1400	715	2115	400	310	336
PVM (I/S/D) 32-14-2/32-14-H	1470	715	2185	400	310	338
PVM (I/S/D) 32-15-2-H	1540	715	2255	400	310	340
PVM (I/S/D) 32-15-H	1540	740	2280	460	340	411
PVM (I/S/D) 32-16-2/32-16-H	1610	740	2350	460	340	413
PVM (I/S/D) 32-17-2/32-17-H	1680	740	2420	460	340	415

Note: PVM-H is 4.6kg heavier than PVM(I/S/D)-H under same model.

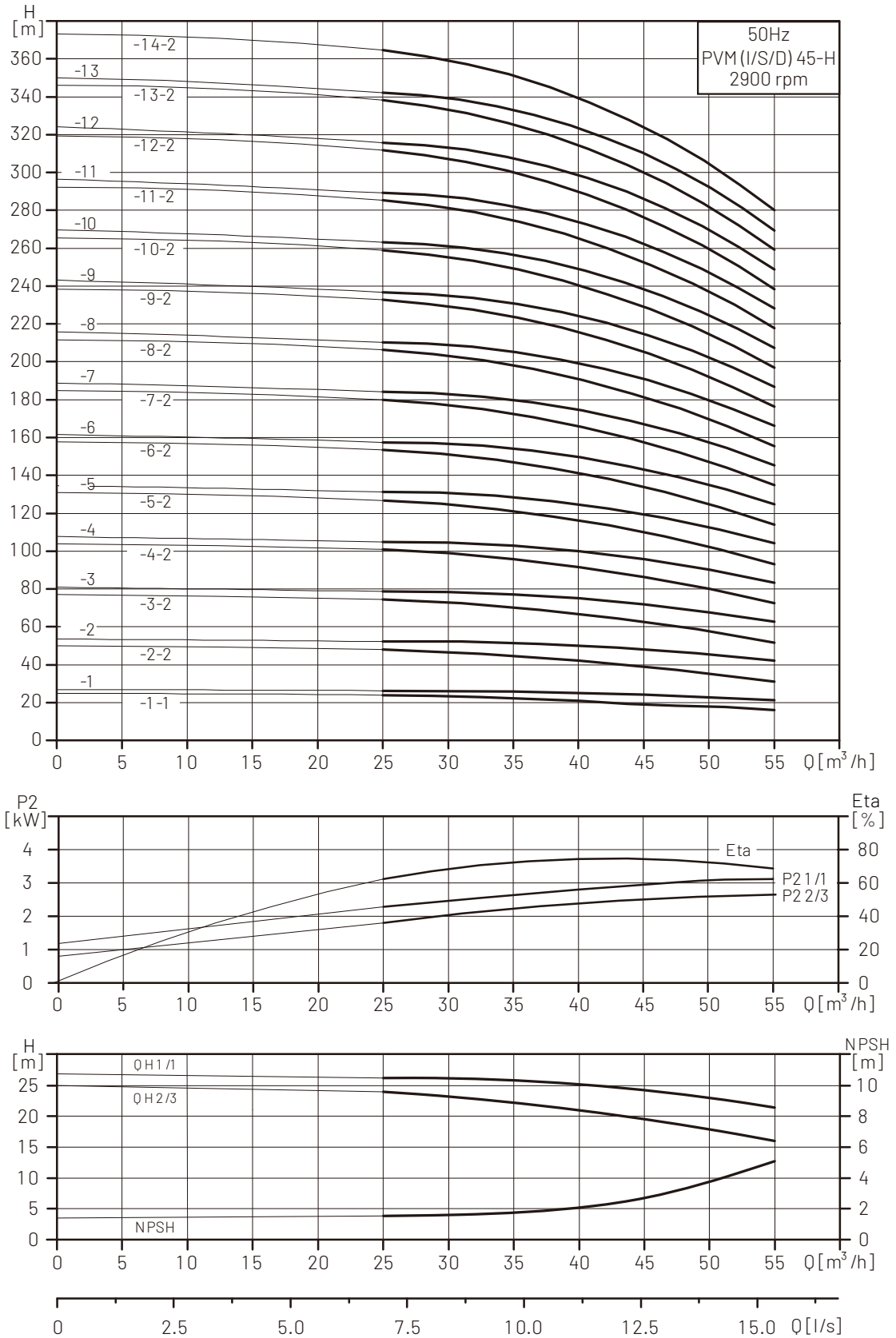
### Performance Table

Model	Motor (kW)	Q (m³/h)	H (m)							
			16	20	24	28	32	36	40	42
PVM (I/S/D) 32-1-1-H	2.2	H (m)	18	17	15	14	13	11	8	7
PVM (I/S/D) 32-1-H	3		22	21.5	21	20	19	18	16	15
PVM (I/S/D) 32-2-2-H	4		36	34	32	29	27	23	18	17
PVM (I/S/D) 32-2-H	5.5		43	42.5	42	40	38	35	32	29
PVM (I/S/D) 32-3-2-H	7.5		58	55	53	49	46	41	34	31
PVM (I/S/D) 32-3-H	7.5		65	64	63	61	57	53	48	44
PVM (I/S/D) 32-4-2-H	11		79	77	74	69	65	58	50	46
PVM (I/S/D) 32-4-H	11		86	85	83	81	77	71	63	59
PVM (I/S/D) 32-5-2-H	11		101	98	95	90	84	76	66	61
PVM (I/S/D) 32-5-H	15		108	107	104	101	96	88	79	74
PVM (I/S/D) 32-6-2-H	15		122	119	115	110	104	94	81	75
PVM (I/S/D) 32-6-H	15		129	128	125	121	115	106	95	88
PVM (I/S/D) 32-7-2-H	18.5		144	141	136	130	123	111	97	90
PVM (I/S/D) 32-7-H	18.5		151	149	146	141	134	124	111	103
PVM (I/S/D) 32-8-2-H	18.5		165	162	157	150	142	129	113	105
PVM (I/S/D) 32-8-H	22		172	171	167	162	153	142	127	118
PVM (I/S/D) 32-9-2-H	22		187	183	178	170	161	147	129	120
PVM (I/S/D) 32-9-H	22		194	192	188	182	172	159	143	133
PVM (I/S/D) 32-10-2-H	30		208	205	199	191	180	165	145	134
PVM (I/S/D) 32-10-H	30		H (m)	215	214	208	202	191	177	159
PVM (I/S/D) 32-11-2-H	30	230		226	220	211	199	182	161	149
PVM (I/S/D) 32-11-H	30	237		235	229	222	210	195	174	162
PVM (I/S/D) 32-12-2-H	30	251		248	240	231	218	200	177	164
PVM (I/S/D) 32-12-H	30	258		256	250	242	230	212	190	177
PVM (I/S/D) 32-13-2-H	37	273		269	261	251	237	218	192	179
PVM (I/S/D) 32-13-H	37	280		278	271	263	249	230	206	192
PVM (I/S/D) 32-14-2-H	37	294		290	282	271	257	235	208	193
PVM (I/S/D) 32-14-H	37	301		299	292	283	268	248	222	206
PVM (I/S/D) 32-15-2-H	37	316		312	303	292	276	253	224	208
PVM (I/S/D) 32-15-H	45	323		320	313	303	287	265	238	221
PVM (I/S/D) 32-16-2-H	45	337		333	324	312	295	271	240	223
PVM (I/S/D) 32-16-H	45	345		342	333	323	306	283	254	236
PVM (I/S/D) 32-17-2-H	45	359		354	345	332	314	288	256	238
PVM (I/S/D) 32-17-H	45	366		363	354	343	325	301	270	251

# PVM (I/S/D)45 - H

## VERTICAL MULTISTAGE CENTRIFUGAL PUMP

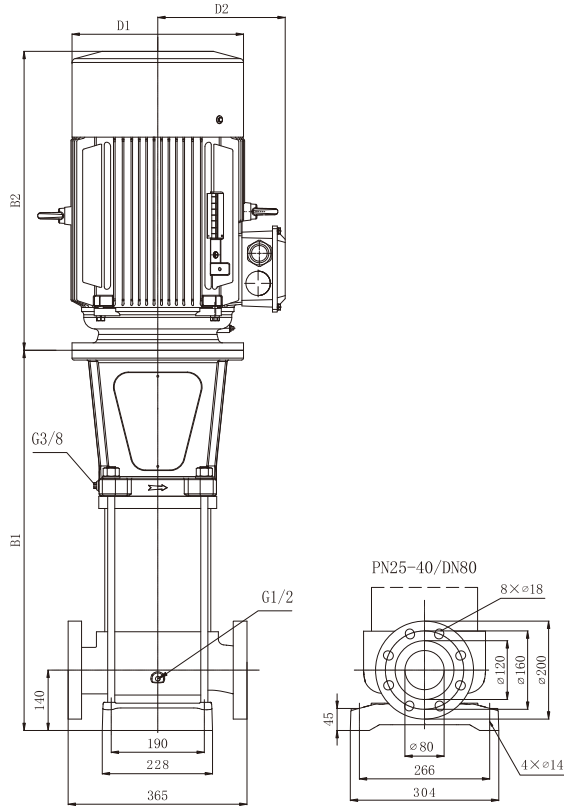
### HYDRAULIC PERFORMANCE



# PVM (I/S/D)45 - H

## VERTICAL MULTISTAGE CENTRIFUGAL PUMP

### Installation Drawing



### Dimension & Weight

Model	Dimension (mm)					Weight (kg)
	B1	B2	B1+B2	D1	D2	
PVM(I/S/D) 45-1-1-H	507	410	917	230	185	84
PVM(I/S/D) 45-1-H	516	465	981	260	210	108
PVM(I/S/D) 45-2-2-H	596	465	1061	260	210	118
PVM(I/S/D) 45-2-H	696	610	1306	350	260	174
PVM(I/S/D) 45-3-2-H	776	610	1386	350	260	177
PVM(I/S/D) 45-3-H	776	610	1386	350	260	186
PVM(I/S/D) 45-4-2-H	856	610	1466	350	260	189
PVM(I/S/D) 45-4-H	856	640	1496	350	260	210
PVM(I/S/D) 45-5-2-H	936	640	1576	350	260	213
PVM(I/S/D) 45-5-H	936	670	1606	360	285	247
PVM(I/S/D) 45-6-2-H	1016	715	1731	400	310	322
PVM(I/S/D) 45-6-H	1016	715	1731	400	310	322
PVM(I/S/D) 45-7-2-H	1096	715	1811	400	310	324
PVM(I/S/D) 45-7-H	1096	715	1811	400	310	324
PVM(I/S/D) 45-8-2-H	1176	715	1891	400	310	341
PVM(I/S/D) 45-8-H	1176	715	1891	400	310	341
PVM(I/S/D) 45-9-2-H	1256	715	1971	400	310	344
PVM(I/S/D) 45-9-H	1256	715	1971	400	310	344
PVM(I/S/D) 45-10-2-H	1336	740	2076	460	340	417
PVM(I/S/D) 45-10-H	1336	740	2076	460	340	418
PVM(I/S/D) 45-11-2-H	1416	740	2156	460	340	420
PVM(I/S/D) 45-11-H	1416	740	2156	460	340	420
PVM(I/S/D) 45-12-2-H	1526	820	2346	550	370	527
PVM(I/S/D) 45-12-H	1526	820	2346	550	370	527
PVM(I/S/D) 45-13-2-H	1606	820	2426	550	370	529
PVM(I/S/D) 45-13-H	1606	820	2426	550	370	529
PVM(I/S/D) 45-14-2-H	1686	820	2506	550	370	532

Note: PVM-H is 6kg heavier than PVM I/S/D-H under same model.

### Performance Table

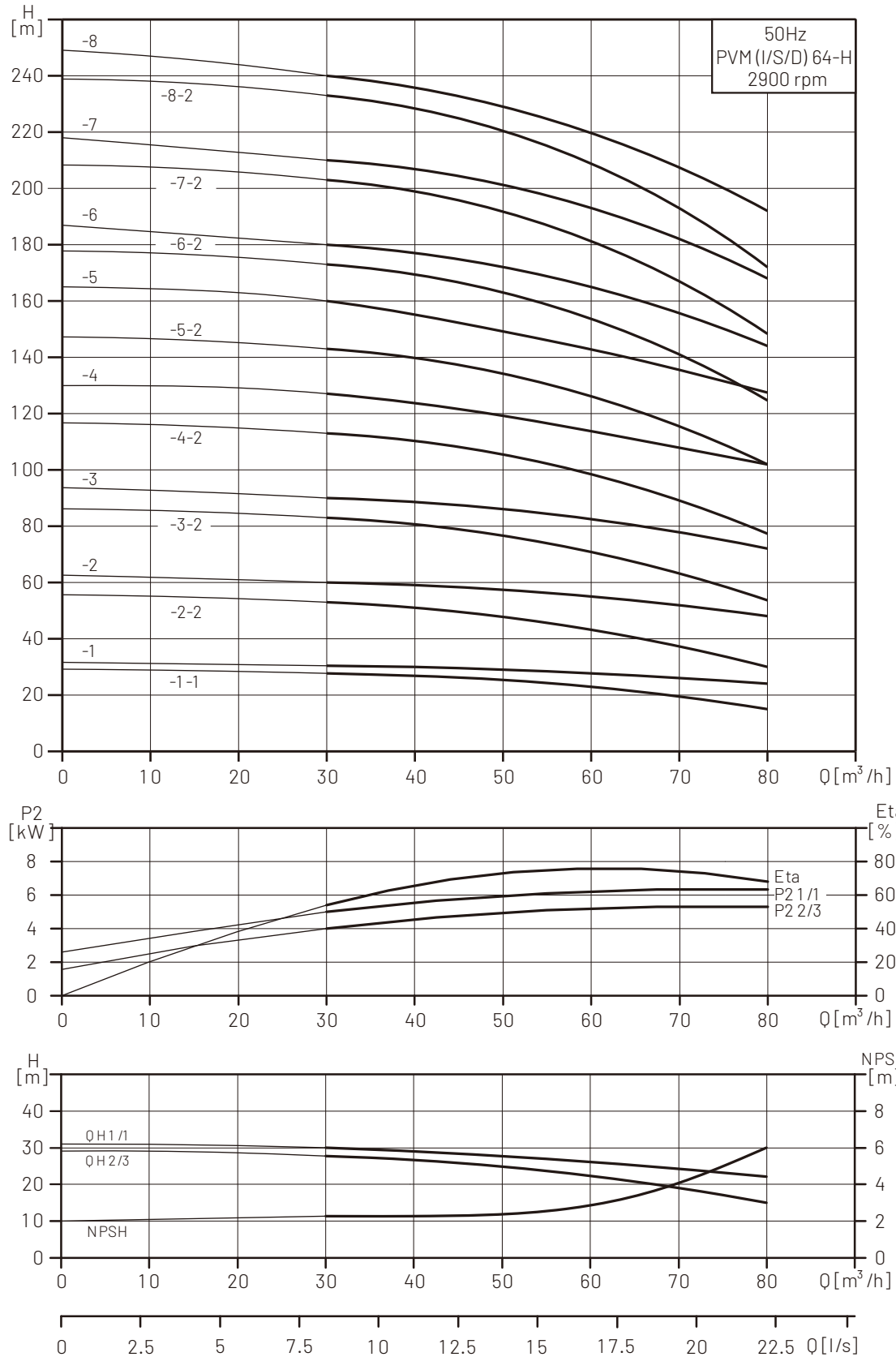
Model	Motor (kW)	Q (m <sup>3</sup> /h)	H (m)						
			25	30	35	40	45	50	55
PVM(I/S/D) 45-1-1-H	4		24	23	22	21	19	18	16
PVM(I/S/D) 45-1-H	5.5		26.5	26	25.5	25	23.5	22	21
PVM(I/S/D) 45-2-2-H	7.5		48	46	44	42	39	35	31
PVM(I/S/D) 45-2-H	11		53	52	51	49	48	45	41
PVM(I/S/D) 45-3-2-H	11		74	72	69	67	63	57	52
PVM(I/S/D) 45-3-H	15		79	78	76	74	71	67	62
PVM(I/S/D) 45-4-2-H	15		101	98	95	91	87	80	72
PVM(I/S/D) 45-4-H	18.5		105	104	102	99	95	90	83
PVM(I/S/D) 45-5-2-H	18.5		127	124	120	116	110	102	93
PVM(I/S/D) 45-5-H	22		132	130	127	124	119	112	104
PVM(I/S/D) 45-6-2-H	30		153	150	146	141	134	125	114
PVM(I/S/D) 45-6-H	30		158	156	153	148	143	134	124
PVM(I/S/D) 45-7-2-H	30		180	176	171	166	158	147	135
PVM(I/S/D) 45-7-H	30		184	182	178	173	166	157	145
PVM(I/S/D) 45-8-2-H	37		206	202	197	190	182	169	155
PVM(I/S/D) 45-8-H	37		210	208	204	198	190	179	166
PVM(I/S/D) 45-9-2-H	37		232	228	222	215	205	192	176
PVM(I/S/D) 45-9-H	37		237	234	229	222	214	202	186
PVM(I/S/D) 45-10-2-H	45		258	254	248	240	229	214	197
PVM(I/S/D) 45-10-H	45		263	260	255	247	238	224	207
PVM(I/S/D) 45-11-2-H	45		285	280	273	264	253	237	217
PVM(I/S/D) 45-11-H	45		289	285	280	272	261	246	228
PVM(I/S/D) 45-12-2-H	55		311	306	299	289	277	259	238
PVM(I/S/D) 45-12-H	55		316	311	305	296	285	269	248
PVM(I/S/D) 45-13-2-H	55		337	331	324	314	300	281	259
PVM(I/S/D) 45-13-H	55		342	337	331	321	309	291	269
PVM(I/S/D) 45-14-2-H	55		364	357	349	338	324	304	279



# PVM (I/S/D)64 - H

## VERTICAL MULTISTAGE CENTRIFUGAL PUMP

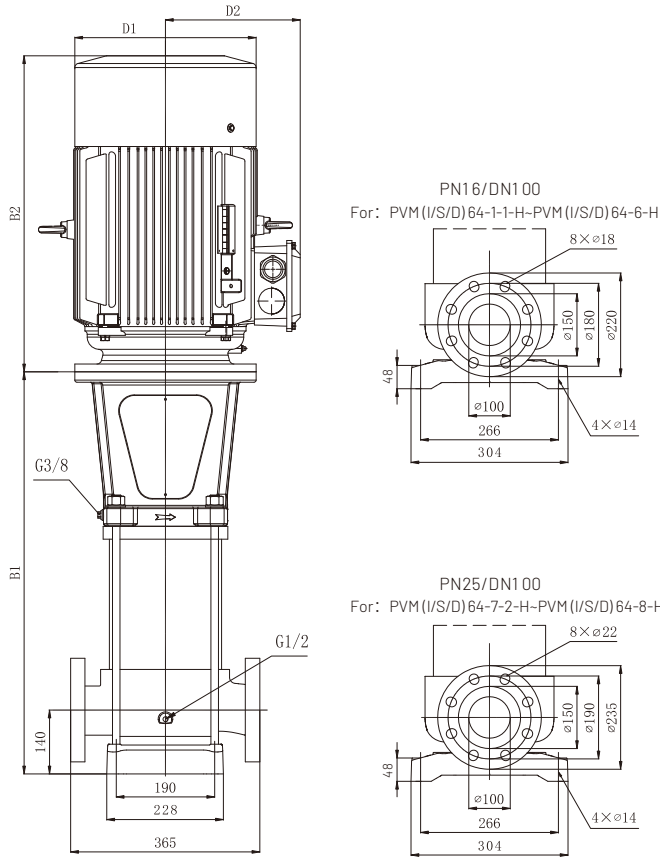
### HYDRAULIC PERFORMANCE



# PVM (I/S/D)64 - H

## VERTICAL MULTISTAGE CENTRIFUGAL PUMP

### Installation Drawing



### Dimension & Weight

Model	Dimension (mm)					Weight (kg)
	B1	B2	B1+B2	D1	D2	
PVM(I/S/D) 64-1-1-H	519	465	984	260	210	110
PVM(I/S/D) 64-1-H	519	465	984	260	210	120
PVM(I/S/D) 64-2-2-H	702	610	1312	350	260	177
PVM(I/S/D) 64-2-H	702	610	1312	350	260	184
PVM(I/S/D) 64-3-2-H	785	640	1425	350	260	209
PVM(I/S/D) 64-3-H	785	670	1455	360	285	243
PVM(I/S/D) 64-4-2-H	868	715	1583	400	310	318
PVM(I/S/D) 64-4-H	868	715	1583	400	310	318
PVM(I/S/D) 64-5-2-H	951	715	1666	400	310	335
PVM(I/S/D) 64-5-H	951	715	1666	400	310	335
PVM(I/S/D) 64-6-2-H	1034	740	1774	460	340	409
PVM(I/S/D) 64-6-H	1034	740	1774	460	340	409
PVM(I/S/D) 64-7-2-H	1147	820	1967	550	370	516
PVM(I/S/D) 64-7-H	1147	820	1967	550	370	516
PVM(I/S/D) 64-8-2-H	1230	820	2050	550	370	519
PVM(I/S/D) 64-8-H	1230	820	2050	550	370	519

Note: PVM-H is 6.5kg heavier than PVM I/S/D-H under same model.

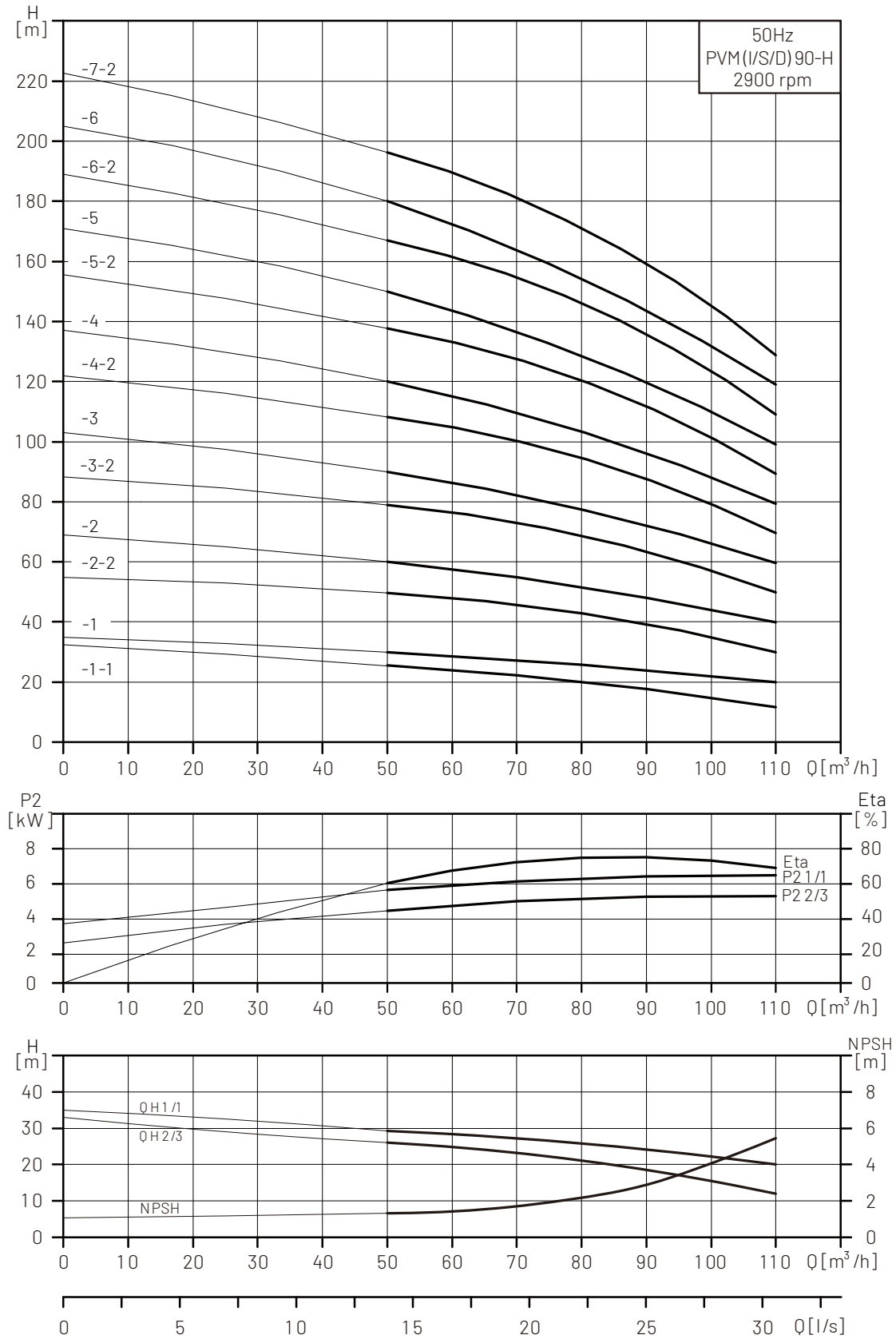
### Performance Table

Model	Motor (kW)	Q (m <sup>3</sup> /h)	H (m)							
			30	40	50	60	64	70	80	
PVM(I/S/D) 64-1-1-H	5.5	H (m)	27	25	23	21	20	18	15	
PVM(I/S/D) 64-1-H	7.5		30	29.5	29	28	27	26	24	
PVM(I/S/D) 64-2-2-H	11		53	51	47	43	41	37	30	
PVM(I/S/D) 64-2-H	15		60	59	58	55	54	52	48	
PVM(I/S/D) 64-3-2-H	18.5		83	81	76	71	68	63	54	
PVM(I/S/D) 64-3-H	22		90	89	86	83	81	78	72	
PVM(I/S/D) 64-4-2-H	30		113	110	105	98	95	89	78	
PVM(I/S/D) 64-4-H	30		128	124	119	114	111	108	102	
PVM(I/S/D) 64-5-2-H	37		143	140	133	126	122	115	102	
PVM(I/S/D) 64-5-H	37		160	155	149	143	140	135	128	
PVM(I/S/D) 64-6-2-H	45		173	170	162	153	149	141	126	
PVM(I/S/D) 64-6-H	45		180	178	173	165	162	156	144	
PVM(I/S/D) 64-7-2-H	55		203	199	191	181	176	167	150	
PVM(I/S/D) 64-7-H	55		210	207	201	193	189	182	168	
PVM(I/S/D) 64-8-2-H	55		233	229	220	208	203	193	174	
PVM(I/S/D) 64-8-H	55		240	237	230	220	216	208	192	

# PVM (I/S/D)90 - H

## VERTICAL MULTISTAGE CENTRIFUGAL PUMP

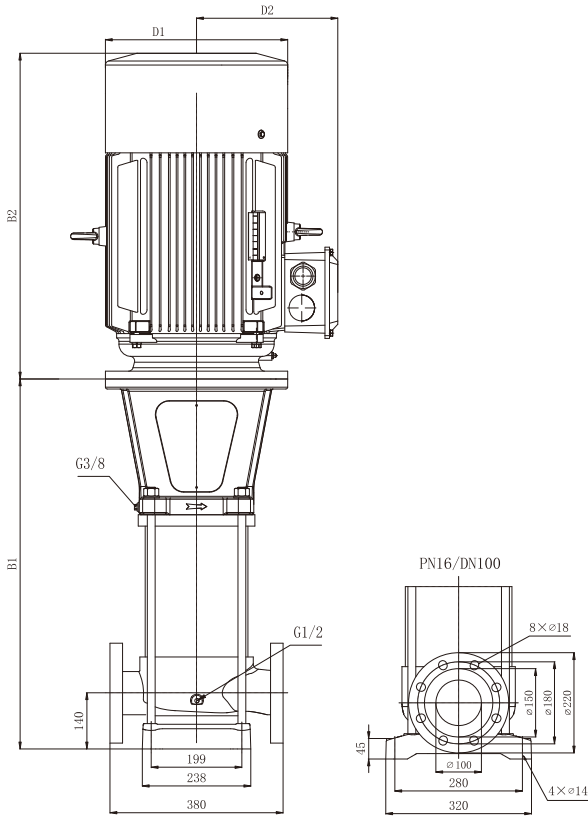
### HYDRAULIC PERFORMANCE



# PVM (I/S/D)90 - H

## VERTICAL MULTISTAGE CENTRIFUGAL PUMP

### Installation Drawing



### Dimension & Weight

Model	Dimension ( mm )					Weight (kg)
	B1	B2	B1+B2	D1	D2	
PVM(I/S/D) 90-1-1-H	598	465	1063	260	210	125
PVM(I/S/D) 90-1-H	628	610	1238	350	260	179
PVM(I/S/D) 90-2-2-H	720	610	1330	350	260	189
PVM(I/S/D) 90-2-H	720	640	1360	350	260	212
PVM(I/S/D) 90-3-2-H	812	670	1482	360	285	249
PVM(I/S/D) 90-3-H	812	715	1527	400	310	319
PVM(I/S/D) 90-4-2-H	904	715	1619	400	310	322
PVM(I/S/D) 90-4-H	904	715	1619	400	310	336
PVM(I/S/D) 90-5-2-H	996	715	1711	400	310	339
PVM(I/S/D) 90-5-H	996	740	1736	460	340	412
PVM(I/S/D) 90-6-2-H	1118	740	1858	460	340	415
PVM(I/S/D) 90-6-H	1118	820	1938	550	370	519
PVM(I/S/D) 90-7-2-H	1210	820	2030	550	370	522

Note: PVM-H is 5.9kg heavier than PVM(I/S/D)-H under same model.

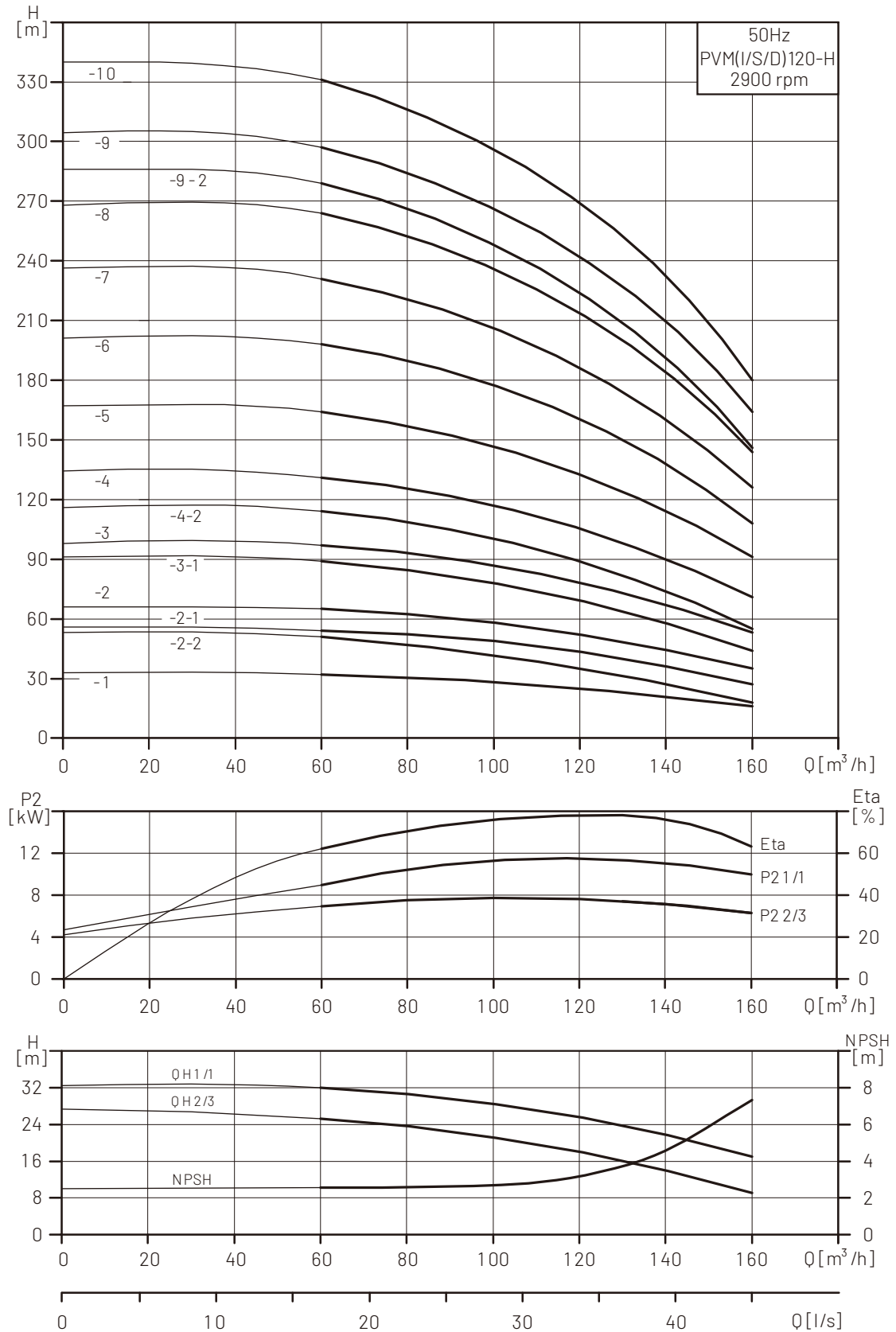
### Performance Table

Model	Motor ( kW )	Q ( m <sup>3</sup> /h )	H ( m )						
			50	60	70	80	90	100	110
PVM(I/S/D) 90-1-1-H	7.5	H ( m )	25	24	22	21	19	16	12
PVM(I/S/D) 90-1-H	11		29	28	27	26	24	22	20
PVM(I/S/D) 90-2-2-H	15		53	50	47	44	40	36	30
PVM(I/S/D) 90-2-H	18.5		58	56	55	51	48	44	39
PVM(I/S/D) 90-3-2-H	22		82	78	74	70	64	58	50
PVM(I/S/D) 90-3-H	30		87	84	82	77	72	66	59
PVM(I/S/D) 90-4-2-H	30		111	106	102	95	88	80	69
PVM(I/S/D) 90-4-H	37		116	112	109	103	96	88	79
PVM(I/S/D) 90-5-2-H	37		140	134	129	121	112	102	89
PVM(I/S/D) 90-5-H	45		145	140	137	128	120	110	98
PVM(I/S/D) 90-6-2-H	45		169	162	156	147	136	124	109
PVM(I/S/D) 90-6-H	55		174	168	164	154	144	132	118
PVM(I/S/D) 90-7-2-H	55		198	190	184	172	160	146	128

# PVM (I/S/D)120 - H

## VERTICAL MULTISTAGE CENTRIFUGAL PUMP

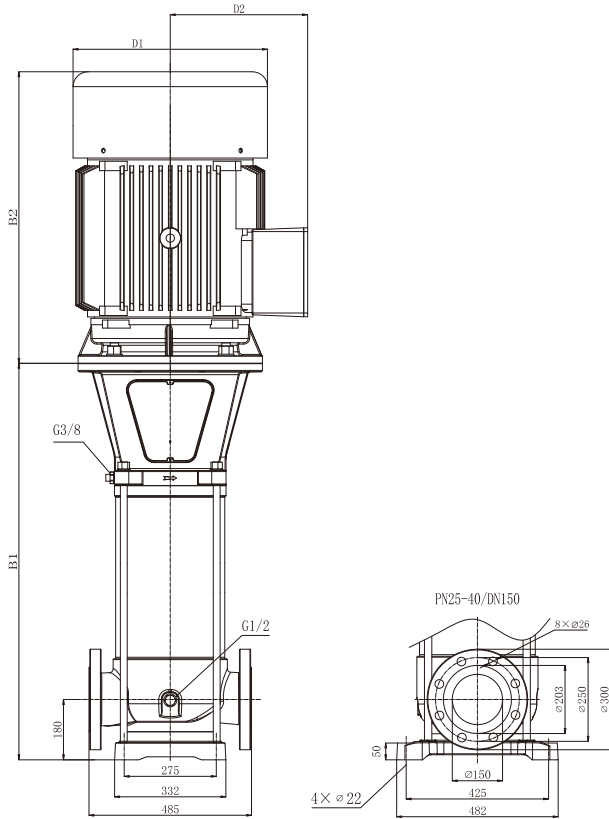
### HYDRAULIC PERFORMANCE



# PVM (I/S/D)120 - H

## VERTICAL MULTISTAGE CENTRIFUGAL PUMP

### Installation Drawing



### Dimension & Weight

Model	Dimension (mm)					Weight (kg)
	B1	B2	B1+B2	D1	D2	
PVM(I/S/D) 120-1-H	787	610	1397	350	260	222
PVM(I/S/D) 120-2-2-H	909	610	1519	350	260	238
PVM(I/S/D) 120-2-1-H	909	640	1549	360	285	260
PVM(I/S/D) 120-2-H	909	670	1579	360	285	292
PVM(I/S/D) 120-3-1-H	1031	715	1746	400	310	371
PVM(I/S/D) 120-3-H	1031	715	1746	400	310	385
PVM(I/S/D) 120-4-2-H	1153	715	1868	400	310	394
PVM(I/S/D) 120-4-H	1153	740	1893	460	340	465
PVM(I/S/D) 120-5-H	1305	820	2125	550	370	581
PVM(I/S/D) 120-6-H	1427	870	2297	580	410	704
PVM(I/S/D) 120-7-H	1549	870	2419	580	410	713
PVM(I/S/D) 120-8-H	1671	920	2591	580	410	768
PVM(I/S/D) 120-9-2-H	1793	920	2713	580	410	778
PVM(I/S/D) 120-9-H	1793	1060	2853	660	550	1169
PVM(I/S/D) 120-10-H	1915	1060	2975	660	550	1178

Note: PVM-H is 16.5kg heavier than PVM(I/S/D)-H under same model.

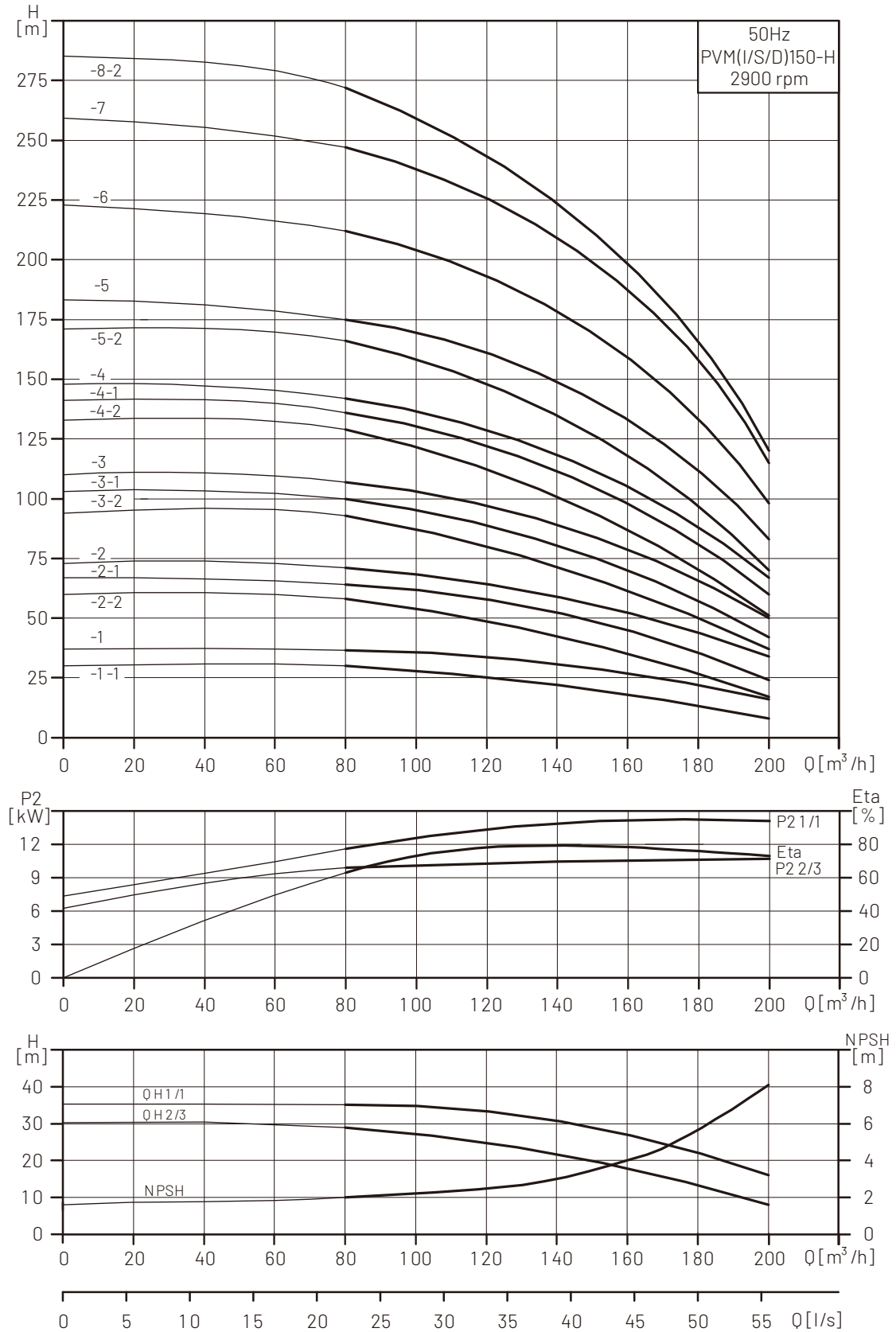
### Performance Table

Model	Motor (kW)	Q (m³/h)	H (m)												
			60	70	80	90	100	110	120	130	140	150	160		
PVM(I/S/D) 120-1-H	11	H (m)	32	31	30	29	28	27	25	23	22	20	17		
PVM(I/S/D) 120-2-2-H	15		51	48	46	43	40	37	34	31	27	23	18		
PVM(I/S/D) 120-2-1-H	18.5		54	52	51	50	49	47	45	40	35	31	27		
PVM(I/S/D) 120-2-H	22		65	64	62	60	58	56	52	48	44	40	35		
PVM(I/S/D) 120-3-1-H	30		89	87	85	82	78	74	70	64	58	51	44		
PVM(I/S/D) 120-3-H	37		97	96	94	91	87	83	77	73	67	61	53		
PVM(I/S/D) 120-4-2-H	37		114	111	108	104	98	94	89	81	74	64	55		
PVM(I/S/D) 120-4-H	45		131	129	125	121	117	113	105	97	89	82	71		
PVM(I/S/D) 120-5-H	55		164	162	158	152	147	142	133	124	114	103	91		
PVM(I/S/D) 120-6-H	75		198	196	189	182	178	170	161	150	137	122	108		
PVM(I/S/D) 120-7-H	75		231	227	222	218	209	199	187	174	159	144	126		
PVM(I/S/D) 120-8-H	90		264	260	254	248	238	228	213	200	182	164	144		
PVM(I/S/D) 120-9-2-H	90		279	274	269	261	250	239	224	208	188	168	146		
PVM(I/S/D) 120-9-H	110		297	293	287	279	268	257	243	227	207	187	164		
PVM(I/S/D) 120-10-H	110		331	325	318	311	298	284	270	250	230	207	182		

# PVM (I/S/D)150 - H

## VERTICAL MULTISTAGE CENTRIFUGAL PUMP

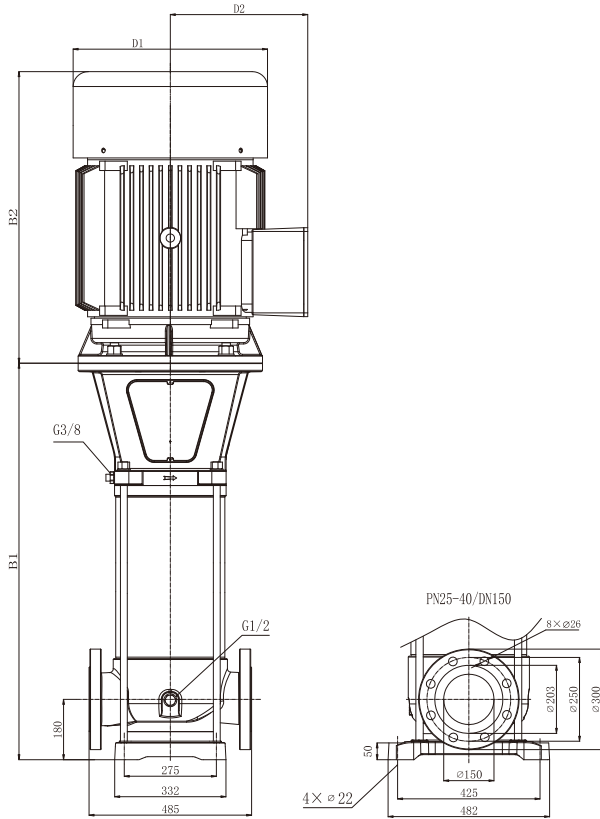
### HYDRAULIC PERFORMANCE



# PVM (I/S/D)150 - H

## VERTICAL MULTISTAGE CENTRIFUGAL PUMP

### Installation Drawing



### Dimension & Weight

Model	Dimension (mm)					Weight (kg)
	B1	B2	B1+B2	D1	D2	
PVM (I/S/D) 150-1-1-H	787	610	1397	350	260	222
PVM (I/S/D) 150-1-H	787	610	1397	350	260	229
PVM (I/S/D) 150-2-2-H	909	670	1579	360	285	292
PVM (I/S/D) 150-2-1-H	909	715	1624	400	310	362
PVM (I/S/D) 150-2-H	909	715	1624	400	310	362
PVM (I/S/D) 150-3-2-H	1031	715	1746	400	310	385
PVM (I/S/D) 150-3-1-H	1031	740	1771	460	340	457
PVM (I/S/D) 150-3-H	1031	740	1771	460	340	457
PVM (I/S/D) 150-4-2-H	1183	820	2003	550	370	577
PVM (I/S/D) 150-4-1-H	1183	820	2003	550	370	577
PVM (I/S/D) 150-4-H	1183	870	2053	580	410	691
PVM (I/S/D) 150-5-2-H	1305	870	2175	580	410	696
PVM (I/S/D) 150-5-H	1305	870	2175	580	410	696
PVM (I/S/D) 150-6-H	1427	920	2347	580	410	752
PVM (I/S/D) 150-7-H	1549	1060	2609	660	550	1152
PVM (I/S/D) 150-8-2-H	1671	1060	2731	660	550	1161

Note: PVM-H is 16.5kg heavier than PVM(I/S/D)-H under same model.

### Performance Table

Model	Motor (kW)	Q (m <sup>3</sup> /h)	H (m)															
			80	90	100	110	120	130	140	150	160	170	180	190	200			
PVM (I/S/D) 150-1-1-H	11	H (m)	29	28	27	26	25	23	21	20	18	16	14	11	8			
PVM (I/S/D) 150-1-H	15		35	34	33	32	31	30	29	28	27	24	21	19	16			
PVM (I/S/D) 150-2-2-H	22		58	56	54	51	48	45	42	39	35	31	27	22	17			
PVM (I/S/D) 150-2-1-H	30		64	62	60	58	56	53	50	48	45	40	35	30	24			
PVM (I/S/D) 150-2-H	30		71	68	67	66	64	61	58	55	52	48	44	39	34			
PVM (I/S/D) 150-3-2-H	37		93	91	89	85	81	77	72	67	61	55	49	43	37			
PVM (I/S/D) 150-3-1-H	45		100	96	94	92	89	84	79	75	70	64	58	50	42			
PVM (I/S/D) 150-3-H	45		107	103	101	99	96	93	90	85	79	73	66	58	50			
PVM (I/S/D) 150-4-2-H	55		129	124	121	117	112	106	100	94	87	79	71	61	51			
PVM (I/S/D) 150-4-1-H	55		136	133	130	126	122	117	112	105	98	90	81	70	60			
PVM (I/S/D) 150-4-H	75		142	137	134	131	128	123	118	112	105	97	88	78	67			
PVM (I/S/D) 150-5-2-H	75		166	163	159	154	148	142	135	127	118	108	96	83	70			
PVM (I/S/D) 150-5-H	75		175	173	171	168	164	158	151	142	133	122	111	97	83			
PVM (I/S/D) 150-6-H	90		212	209	205	201	196	190	181	171	159	147	133	115	98			
PVM (I/S/D) 150-7-H	110		247	244	241	236	231	222	212	200	188	171	154	135	115			
PVM (I/S/D) 150-8-2-H	110		272	267	262	256	249	238	226	213	198	180	161	141	120			





# WATER ENERGY

## WE PUT ENERGY INTO YOUR WATER

Pentair has been committed to the design and production of electric water pumps providing our customers with quality products and concrete solutions for all their needs. Within the wide Pentair Water Supply range, engineering firms and plumbing and heating/cooling distributing centres can find products and systems which meet any need with regards to water supply and pressurization in the realm of residential and commercial building irrigation and industry applications.



**FIRE-FIGHTING SYSTEMS AND PRESSURIZATION SYSTEMS**  
Vertical and horizontal centrifugal pumps. Complete systems for the transfer and pressurization of water  
Fire-fighting systems



**ELECTRIC PUMPS FOR RESIDENTIAL USE**  
Submersible pumps, self-priming pumps, multistage centrifugal pumps and compacting pumping systems for domestic water supply, irrigation and the re-utilization of harvested rainwater



**ELECTRIC PUMPS FOR DRAINAGE**  
Pumps for the transfer of clear dirty and wastewaters and sewage  
Pumps for numerous applications (water in basins, tanks, pumping stations etc.)



**ELECTRIC PUMPS FOR OPEN AND DRILLED WELLS**  
Submersible pumps for irrigation and pumping underground waters



**Pentair Wuxi Factory** - No 10, Jiaye Road, Wuxi City, Jiangsu Province, China 214124

**Pentair Water Suzhou Factory** - Feng Qiao Industrial Park, 371 Heshan Road, New District, Suzhou, Jiangsu Province, China 200052

**Pentair Shanghai Office** - 19 F, Cloud Nine Plaza No.1118, West Yan'an Road, Shanghai, 200052, China +86 21 5250 7888

**Singapore** - 390 Havelock Road, #04-01 King's Center, Singapore 169662 +65 6768 5900

**Thailand** - 33/4 The Ninth Towers Grand RAMA 9 (Tower B) 16th Floor, Rama 9 Road, Huaykwang, Bangkok, Thailand 10310 +662 1681092

**Philippines** - 5th Floor MAIA Suites, 1747 Nicanor Garcia Street corner, D.Oliman Street Makati City, Philippines +632824 3825

Pentair reserves the right to change specification without prior notice.

This promotional material is carefully proofread and strive for accuracy.

In case of content deviation caused by technical update or typo, please refer to the product manual without notice.