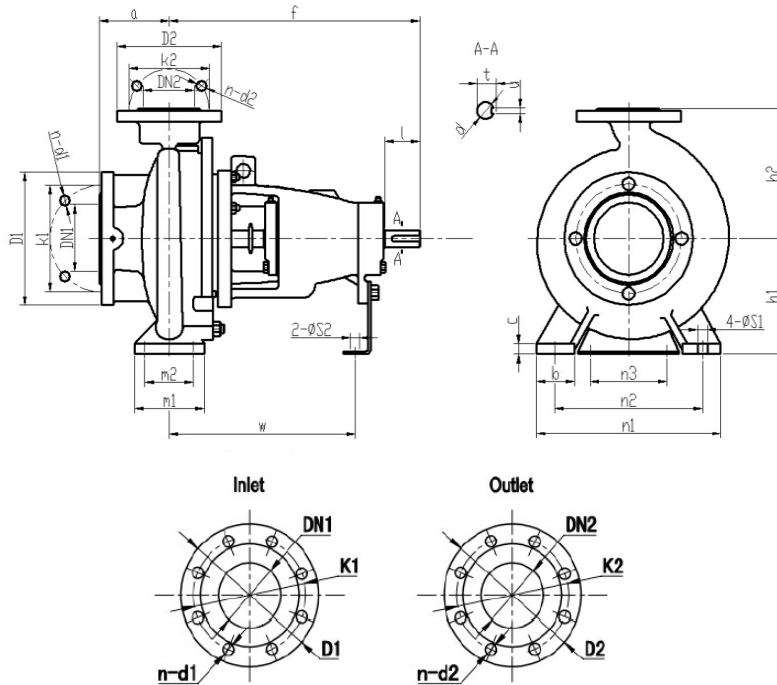


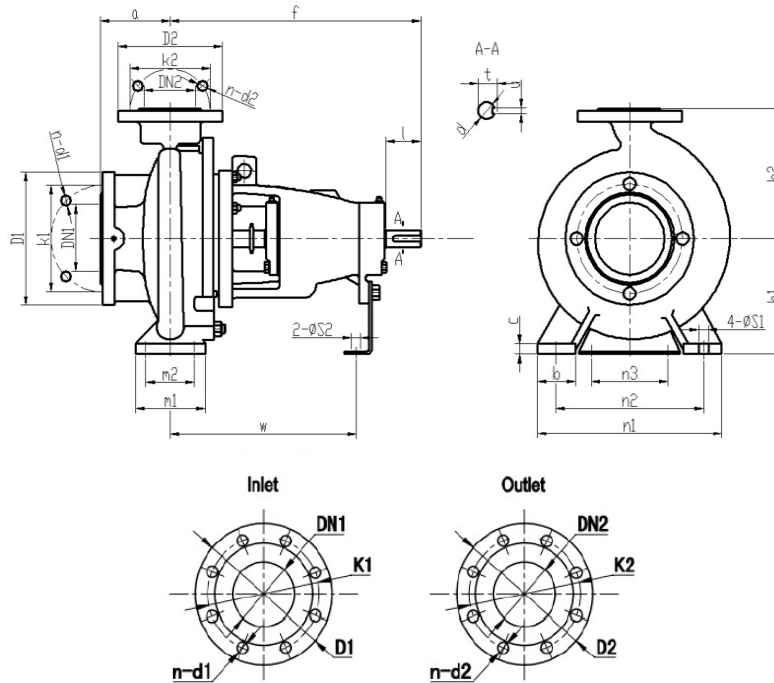
# PWTEF- PUMP END ONLY DIMENSION DATA



Model	Discharge (Inlet)				Suction (Outlet)				a	f	h1	h2	b	c	n3	m1	m2	n1	n2	S1	S2	w	d	l	t	u	Weight (kg)
	DN2	D2	K2	n-d2	DN1	D1	K1	n-d1																			
32/125	32	140	100	4-Ø18	50	165	125	4-Ø18	80	360	112	140	50	14	100	100	70	190	140	14	14	267	24	50	27	8	29
32/160	32	140	100	4-Ø18	50	165	125	4-Ø18			132	160						35									
32/200	32	140	100	4-Ø18	50	165	125	4-Ø18			160	180						47									
32/250 <sup>(1,3)</sup>	32	140	100	4-Ø18	50	165	125	4-Ø18	100	360	180	225	65	14	110	125	95	320	250	14	14	267	24	50	27	8	58
40/125	40	150	110	4-Ø18	65	185	145	4-Ø18	80		112	140	31														
40/160	40	150	110	4-Ø18	65	185	145	4-Ø18	100		132	160	34														
40/200	40	150	110	4-Ø18	65	185	145	4-Ø18	125	470	160	180	65	14	110	125	95	265	212	14	14	267	24	50	27	8	45
40/250 <sup>(3)</sup>	40	150	110	4-Ø18	65	185	145	4-Ø18			180	225						61									
40/315 <sup>(1)</sup>	40	150	110	4-Ø18	65	185	145	4-Ø18			526	200						250	94								
40/315G <sup>(2)</sup>	40	150	110	4-Ø18	65	185	145	4-Ø18	100	360	132	160	50	14	100	100	70	240	190	14	14	267	24	50	27	8	35
50/125	50	165	125	4-Ø18	65	185	145	4-Ø18			160	180						39									
50/160	50	165	125	4-Ø18	65	185	145	4-Ø18			160	200						49									
50/200	50	165	125	4-Ø18	65	185	145	4-Ø18	125	470	180	225	65	18	110	125	95	320	250	14	14	267	24	50	27	8	68
50/250	50	165	125	4-Ø18	65	185	145	4-Ø18			345	280						113									
50/315 <sup>(1)</sup>	50	165	125	4-Ø18	65	185	145	4-Ø18			342	32						80	35								10

NOTES: 1. Not part of EN 733  
 2. Ductile Iron volute and cover is standard - not part of EN 733  
 3. Ductile Iron volute and cover is required when operating at 2P 60hz  
 "G" only applicable for 2P 50hz - not part of EN733  
 Flange standard: ISO7005.2 DIN2501 PN16GB/T17241.6 PN1.6

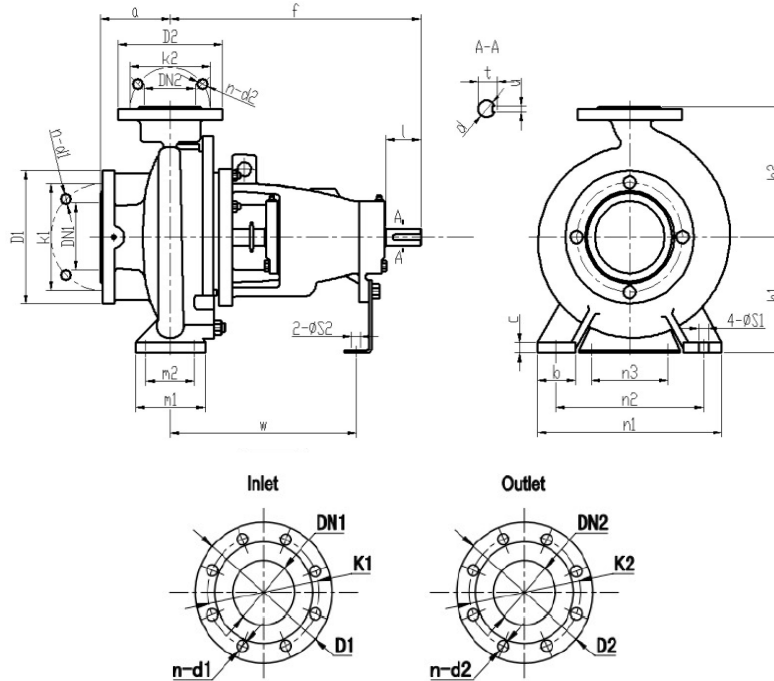
# PWTEF- PUMP END ONLY DIMENSION DATA



Model	Discharge (Inlet)				Suction (Outlet)				a	f	h1	h2	b	c	n3	m1	m2	n1	n2	S1	S2	w	d	l	t	u	Weight (kg)				
	DN2	D2	K2	n-d2	DN1	D1	K1	n-d1																							
50/315G <sup>(2)</sup>	50	165	125	4-Ø18	65	185	145	4-Ø18	125	526	225	280	65	18	110	125	95	345	280	14	14	367	42	110	45	12	105				
65/125	65	185	145	4-Ø18	80	200	160	8-Ø18	100	360	160	180	65	14		125	95	280	212	14		267	24	50	27	8	41				
65/160	65	185	145	4-Ø18	80	200	160	8-Ø18	100	360	160	200	65	14		125	95	280	212	14		267	24	50	27	8	47				
65/200	65	185	145	4-Ø18	80	200	160	8-Ø18		465	180	225						320	250			339	60								
65/200G <sup>(1)</sup>	65	185	145	4-Ø18	80	200	160	8-Ø18	125	470	200	250	80	15		160	120	360	280	18		342	32	80	35	10	87				
65/315	65	185	145	4-Ø18	80	200	160	8-Ø18		525	225	280						400	315			367	42	110	45	12	120				
65/315G <sup>(2)</sup>	65	185	145	4-Ø18	80	200	160	8-Ø18	125	360	180	225	65	14		125	95	320	250	14		267	24	50	27	8	53				
80/160	80	200	160	8-Ø18	100	220	180	8-Ø18		470	180	250										345	280	76							
80/200	80	200	160	8-Ø18	100	220	180	8-Ø18		125	470	200	280	80				15	160			120	400	315	18	342	32	80	35	10	95
80/250	80	200	160	8-Ø18	100	220	180	8-Ø18			526	250	315										440	340		370	42	110	45	12	130
80/315	80	200	160	8-Ø18	100	220	180	8-Ø18		140	530	280	355	83	18			160	120		360	280	18	342	32	80	35	10	102		
80/315G <sup>(2)</sup>	80	200	160	8-Ø18	100	220	180	8-Ø18																					200	250	80
80/400 <sup>(1)</sup>	80	200	160	8-Ø18	100	220	180	8-Ø18		140	470	200	280	80	16			160	120		400	315	18	342	32	80	35	10	118		
100/160 <sup>(1)</sup>	100	220	180	8-Ø18	125	250	210	8-Ø18																					225	280	80
100/200	100	220	180	8-Ø18	125	250	210	8-Ø18	250							315	80			16									102		
100/250	100	220	180	8-Ø18	125	250	210	8-Ø18	140	470	200	280	80	16	160	120	400	315	18	342	32	80	35	10	118						
100/315	100	220	180	8-Ø18	125	250	210	8-Ø18																	250	315	80	16	118		

NOTES: 1. Not part of EN 733  
 2. Ductile Iron volute and cover is standard - not part of EN 733  
 3. Ductile Iron volute and cover is required when operating at 2P 60hz  
 "G" only applicable for 2P 50hz - not part of EN733  
 Flange standard: ISO7005.2 DIN2501 PN16GB/T17241.6 PN1.6

# PWTEF- PUMP END ONLY DIMENSION DATA



Model	Discharge (Inlet)				Suction (Outlet)				a	f	h1	h2	b	c	n3	m1	m2	n1	n2	S1	S2	w	d	l	t	u	Weight (kg)						
	DN2	D2	K2	n-d2	DN1	D1	K1	n-d1																									
100/400	100	220	180	8-Ø18	125	250	210	8-Ø18	140	530	280	355	100	20	110	200	150	500	400	23	14	370	42	110	45	12	176						
125/200 <sup>(1)</sup>	125	250	210	8-Ø18	150	285	240	8-Ø22	140	470	250	315	80	16	110	160	120	400	315	18		342	32	80	35	10	112						
125/250	125	250	210	8-Ø18	150	285	240	8-Ø22		250	355	117																					
125/315	125	250	210	8-Ø18	150	285	240	8-Ø22	140	530	280	355	100	18	110	200	150	500	400	23		370	42	110	45	12	155						
125/400	125	250	210	8-Ø18	150	285	240	8-Ø22	160	530	315	400	100	18	110	200	150	500	400	23		370	42	110	45	12	178						
125/500 <sup>(1)</sup>	125	250	210	8-Ø18	150	285	240	8-Ø22		670	355	450										25	550	450	300								
150/200 <sup>(1)</sup>	150	285	240	8-Ø22	200	340	295	12-Ø22	160	500	280	400	100	18	110	200	150	400	315	23		369	32	80	35	10	132						
150/250 <sup>(1)</sup>	150	285	240	8-Ø22	200	340	295	12-Ø22		250	355	163																					
150/315	150	285	240	8-Ø22	200	340	295	12-Ø22		530	280	400										180	110	200	150	450	350	370	42	110	45	12	170
150/400	150	285	240	8-Ø22	200	340	295	12-Ø22		315	450	207																					
150/500 <sup>(1)</sup>	150	285	240	8-Ø22	200	340	295	12-Ø22	180	670	375	500	22	110	200	150	550	450	500	48		51	14	330									
200/250 <sup>(1)</sup>	200	340	295	12-Ø22	250	405	355	12-Ø26	180	555	315	450	100	20	110	200	150	550	450	28		392	42	45	12	219							
200/315 <sup>(1)</sup>	200	340	295	12-Ø22	250	405	355	12-Ø26		670	315	480	120									220	170	600	480	505	48	110	51	14	286		
200/400 <sup>(1)</sup>	200	340	295	12-Ø22	250	405	355	12-Ø26		335	480	328																					
200/500 <sup>(1)</sup>	200	340	295	12-Ø22	250	405	355	12-Ø26	200	720	425	560	100	22	140	200	150	660	560	23	19	515	60	140	64	18	450						
250/315 <sup>(1)</sup>	250	405	355	12-Ø26	300	460	410	12-Ø26	220	691	355	520	150	26	110	250	200	660	510	28	14	525	48	110	51	14	366						
250/400 <sup>(1)</sup>	250	405	355	12-Ø26	300	460	410	12-Ø26		682	400	560										516	396										
250/500 <sup>(1)</sup>	250	405	355	12-Ø26	300	460	410	12-Ø26	250	720	450	670	120	32	140	240	190	750	650	23	19	515	60	140	64	18	550						
300/400 <sup>(1)</sup>	300	460	410	12-Ø26	350	520	470	16-Ø26	300	720	425	670	120	30	140	250	190	760	660	30	19	515	60	140	64	18	550						

- NOTES: 1. Not part of EN 733  
 2. Ductile Iron volute and cover is standard - not part of EN 733  
 3. Ductile Iron volute and cover is required when operating at 2P 60hz  
 \*G\* only applicable for 2P 50hz - not part of EN733  
 Flange standard: ISO7005.2 DIN2501 PN16GB/T17241.6 PN1.6